



Chipsmall Limited consists of a professional team with an average of over 10 year of expertise in the distribution of electronic components. Based in Hongkong, we have already established firm and mutual-benefit business relationships with customers from,Europe,America and south Asia,supplying obsolete and hard-to-find components to meet their specific needs.

With the principle of “Quality Parts,Customers Priority,Honest Operation,and Considerate Service”,our business mainly focus on the distribution of electronic components. Line cards we deal with include Microchip,ALPS,ROHM,Xilinx,Pulse,ON,Everlight and Freescale. Main products comprise IC,Modules,Potentiometer,IC Socket,Relay,Connector.Our parts cover such applications as commercial,industrial, and automotives areas.

We are looking forward to setting up business relationship with you and hope to provide you with the best service and solution. Let us make a better world for our industry!



Contact us

Tel: +86-755-8981 8866 Fax: +86-755-8427 6832

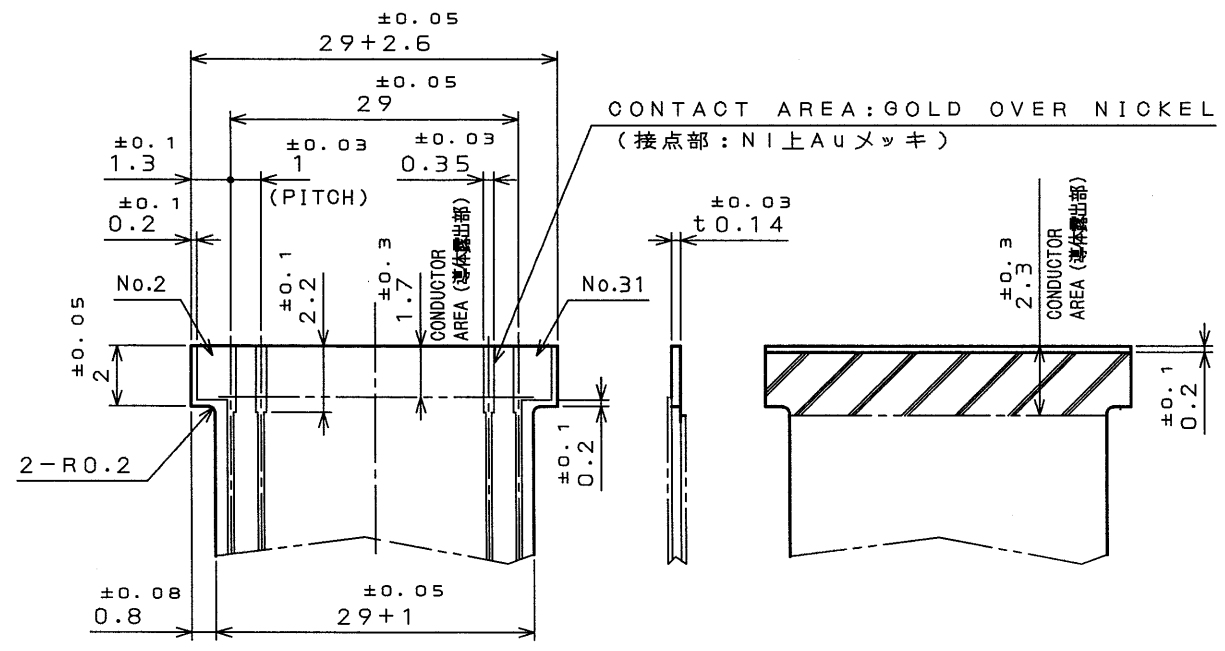
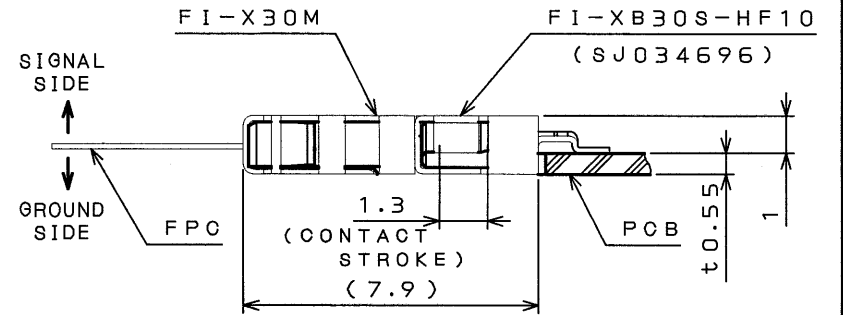
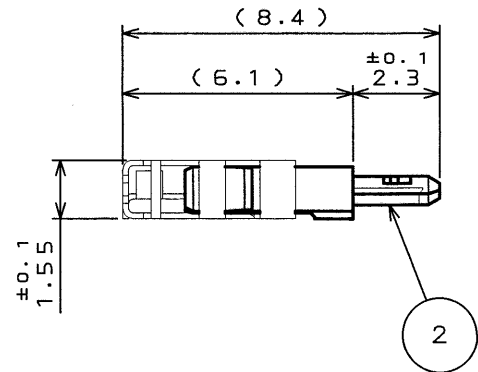
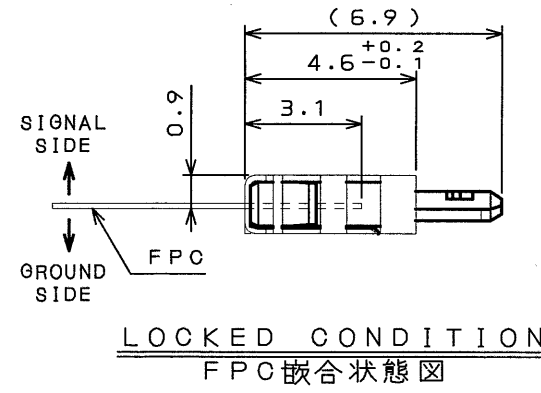
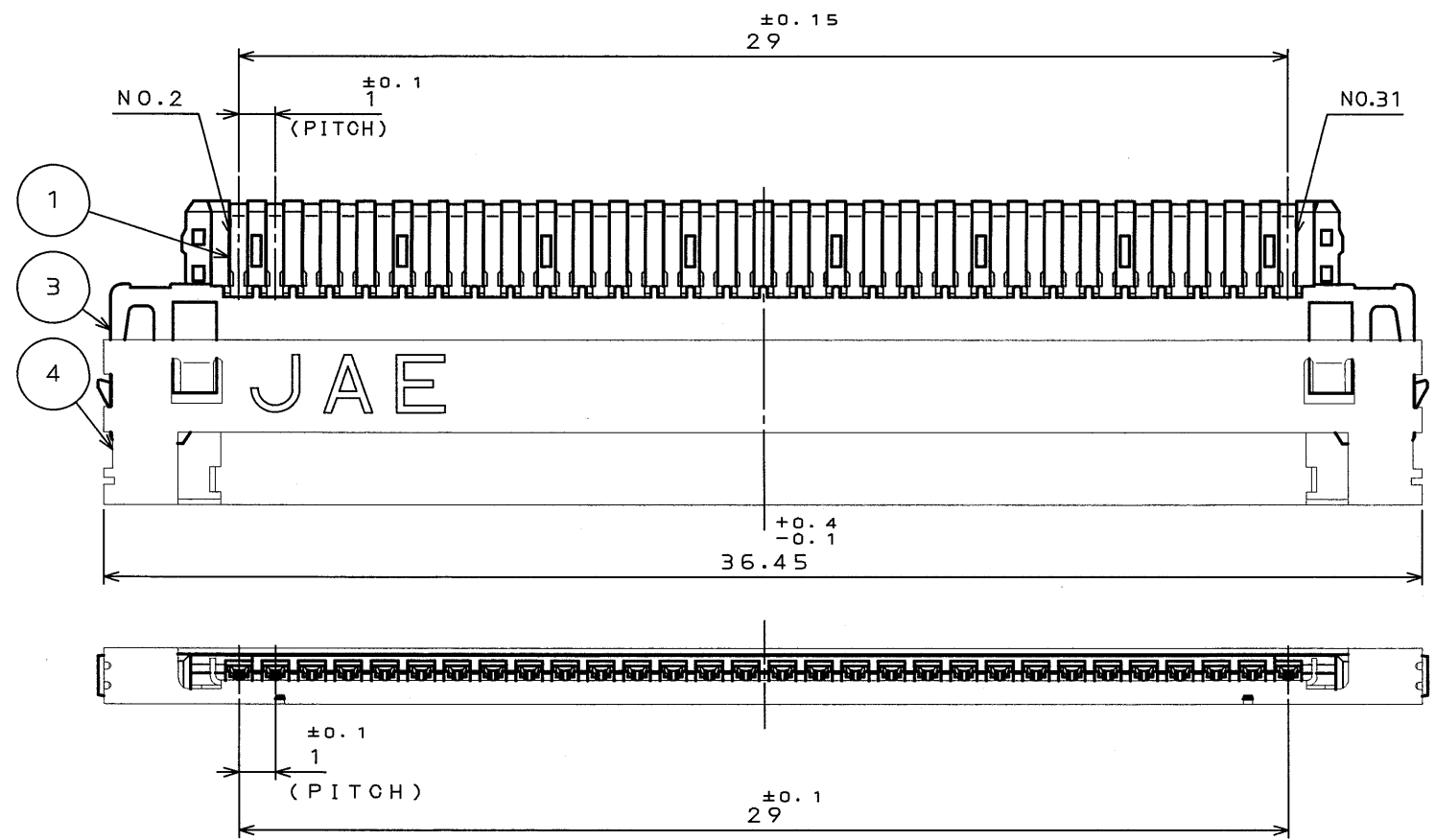
Email & Skype: info@chipsmall.com Web: www.chipsmall.com

Address: A1208, Overseas Decoration Building, #122 Zhenhua RD., Futian, Shenzhen, China



7Z89E0JS
SJ036822
(DRAWING NO.)

版数 REV.	年月日 DATE	DCN NO.	変更内容 DESCRIPTION	製図 DR.	担当 CHK.	査閲 APPD.	承認 APPD.



SIGNAL AREA (信号側)
GROUND AREA (グラント側)
APPLICABLE FPC DIMENSIONS (REF.)
適合FPC寸法(参考)

符号 NO.	名称 DESCRIPTION	個数 QTY.	材料 MATERIAL	仕上 FINISH	備考 REMARKS
4	SHELL	1	COPPER ALLOY	TIN PLATING	
3	INSULATOR	1	GLASS FILLED 4-6Ny		UL94 V-0 BEIGE
2	GROUND PLATE	1	COPPER ALLOY	TIN PLATING	
1	CONTACT	30	COPPER ALLOY	GOLD(0.1μmMIN) OVER NICKEL	

仕様書 (SPECIFICATION)	第1版 (ORIGINAL DATE)	尺 (SCALE)	用紙 (PAPER)
	16.Apr.2002	5:1	A3
製図 (DRAWING)	製図 (DRAWING)	名称 (TITLE)	製図 (DRAWING)
		FI-X30MA1 (FPC SIDE)	
公差 (GENERAL TOLERANCE)	担当 (CHECKER)	査閲 (APPD.)	承認 (APPD.)
寸法 (DIMENSION)	M.TAKAKU	A. Kimura	H. Anemija
. ± 0.8			
.X ± 0.4			
.XX ± 0.1			
.XXX ±			
重量 (WEIGHT)			

図面番号 (DRAWING NO.)	版数 (REV.)
SJ036822	1

本図面は日本航空電子工業(株)の所有する情報を含むもので当社の許可なく複製を禁止する。
THIS DRAWING CONTAINS INFORMATION THAT IS PROPRIETARY TO JAE AND CAN NOT BE REPRODUCED WITHOUT WRITTEN CONSENT OF JAE.

DOF-0-212D(98.02)

CDS-02-180-50160

SIZE A3

