



Chipsmall Limited consists of a professional team with an average of over 10 year of expertise in the distribution of electronic components. Based in Hongkong, we have already established firm and mutual-benefit business relationships with customers from,Europe,America and south Asia,supplying obsolete and hard-to-find components to meet their specific needs.

With the principle of “Quality Parts,Customers Priority,Honest Operation,and Considerate Service”,our business mainly focus on the distribution of electronic components. Line cards we deal with include Microchip,ALPS,ROHM,Xilinx,Pulse,ON,Everlight and Freescale. Main products comprise IC,Modules,Potentiometer,IC Socket,Relay,Connector.Our parts cover such applications as commercial,industrial, and automotives areas.

We are looking forward to setting up business relationship with you and hope to provide you with the best service and solution. Let us make a better world for our industry!



Contact us

Tel: +86-755-8981 8866 Fax: +86-755-8427 6832

Email & Skype: info@chipsmall.com Web: www.chipsmall.com

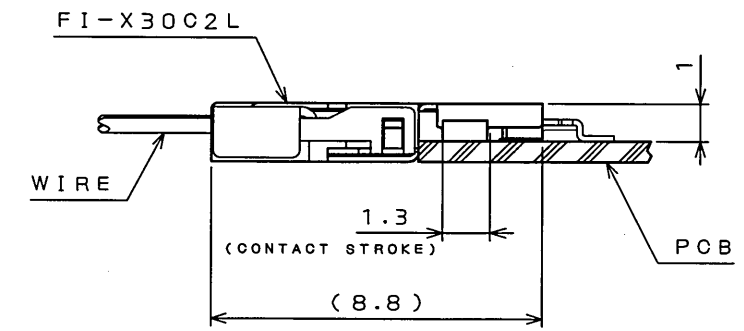
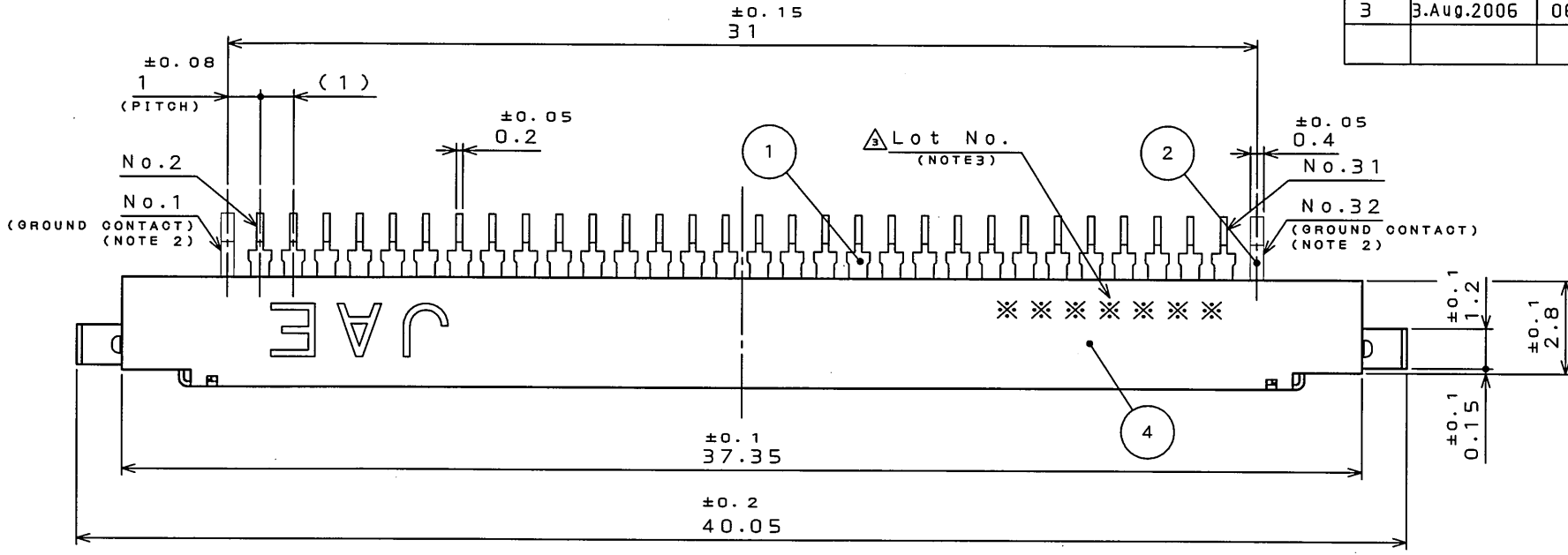
Address: A1208, Overseas Decoration Building, #122 Zhenhua RD., Futian, Shenzhen, China



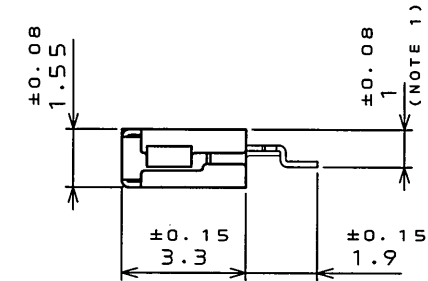
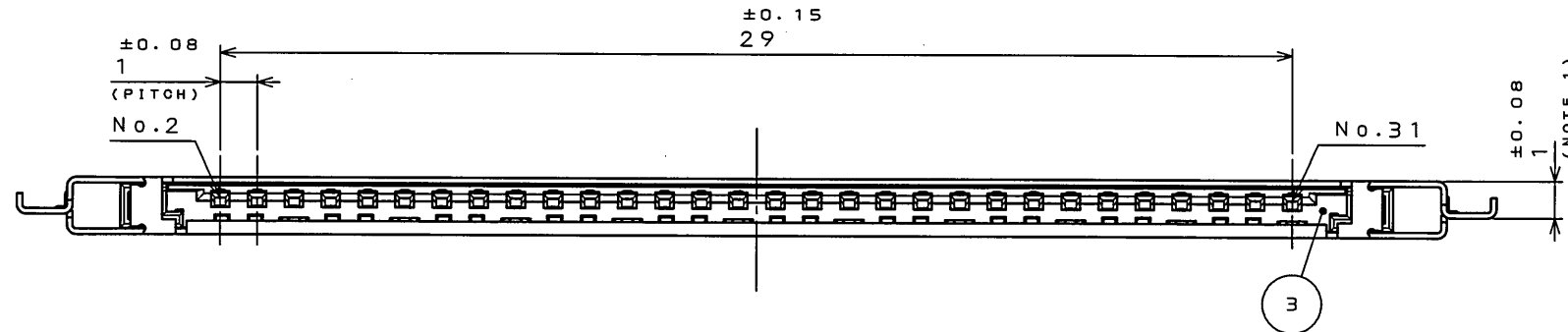
SJ036682

(DRAWING NO.)

版数 REV.	年月日 DATE	DCN NO.	変更内容 DESCRIPTION	製図 DR.	担当 CHK.	査閲 APPD.	承認 APPD.
2	4.Sep.2002	50570	REVISED FINISH ※仕様変更		K.HISAMATSU	A.KIMURA	Y.ICHIYAMA
3	3.Aug.2006	060641	ADDED LOT NO. AND NOTE		T.SHIODA	<i>M. Shioda</i>	K. Hatanaka



MATED CONDITION (REF.)
嵌合状態図(参考)



NOTE1. COPLANARITY BETWEEN TERMINAL AND HOLD DOWN OF SHELL SHOULD BE 0.1mm MAX.

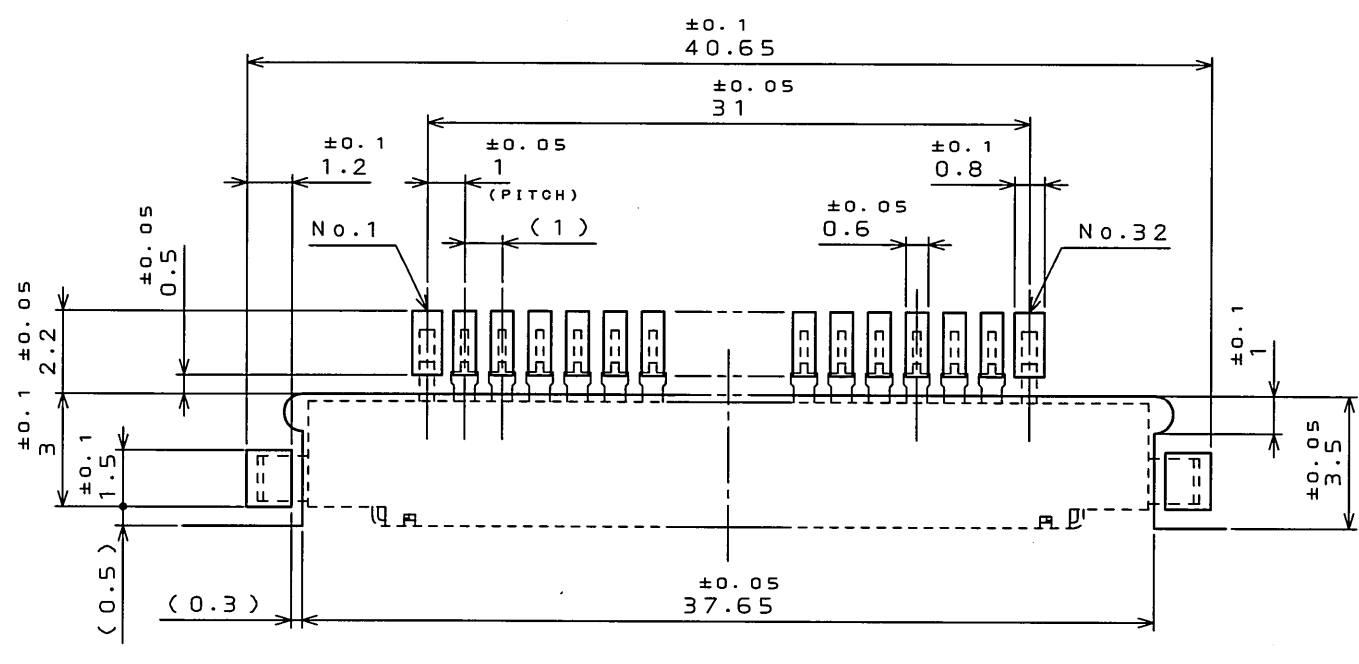
2. TERMINALS NO. 1 AND NO. 32 ARE APPROPRIATE FOR GROUND CONTACTS.

△ 3. PRODUCTION LOT NUMBER AS INDICATED.

注1. 端子及び、シェルホルドダウンの相互のバラツキは0.1以内である。

2. 端子No. 1, 32はグランド専用コンタクトとする。

△ 3. 図示の位置にロット番号を表示する。



APPLICABLE P.C.B. DIMENSION (REF.)
適合基板寸法(参考)

符号 NO.	名称 DESCRIPTION	個数 QTY.	材料 MATERIAL	仕上 FINISH	備考 REMARKS
4	SHELL	1	STAINLESS STEEL	TIN PLATING	
3	INSULATOR	1	HEAT RESISTING PLASTIC		UL94 V-0 BEIGE
2	GROUND PLATE	1	COPPER ALLOY	TIN PLATING	
1	CONTACT	30	COPPER ALLOY	△ GOLD(0.3μmMIN) OVER NICKEL	△ TERMINAL AREA: TIN-COPPER OVER NICKEL

仕様書 (SPECIFICATION)		第1版 (ORIGINAL DATE)		尺度 (SCALE)		シリーズ (SERIES)		日本航空電子工業株式会社	
		18.Feb.2002		5:1		FI-X		JAPAN AVIATION ELECTRONICS INDUSTRY, LTD.	
公差 (GENERAL TOLERANCE)		製図 DR.		名称 (TITLE)		FI-XB30SL-HF10 (PCB SIDE)		図面番号 (DRAWING NO.)	
寸法 (DIMENSION)		担当 CHK.		K.HISAMATSU				版数 (REV.)	
角度 (ANGLES)		査閲 APPD.		A.KIMURA				3	
. ±0.8		承認 APPD.		H.AMEMIYA					
.X ±0.4									
.XX ±0.1									
.XXX ±									
		質量 (MASS)							

LEAD FREE この製品は鉛フリー品です

JAE CONNECTOR DIV. PROPRIETARY. COPYRIGHT (C) 2002. JAPAN AVIATION ELECTRONICS INDUSTRY, LTD.

DOF-0-212F(05.08)

