



Chipsmall Limited consists of a professional team with an average of over 10 year of expertise in the distribution of electronic components. Based in Hongkong, we have already established firm and mutual-benefit business relationships with customers from,Europe,America and south Asia,supplying obsolete and hard-to-find components to meet their specific needs.

With the principle of "Quality Parts,Customers Priority,Honest Operation,and Considerate Service",our business mainly focus on the distribution of electronic components. Line cards we deal with include Microchip,ALPS,ROHM,Xilinx,Pulse,ON,Everlight and Freescale. Main products comprise IC,Modules,Potentiometer,IC Socket,Relay,Connector.Our parts cover such applications as commercial,industrial, and automotives areas.

We are looking forward to setting up business relationship with you and hope to provide you with the best service and solution. Let us make a better world for our industry!



Contact us

Tel: +86-755-8981 8866 Fax: +86-755-8427 6832

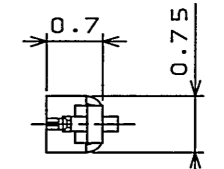
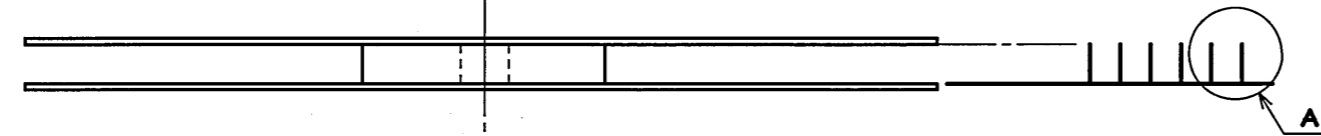
Email & Skype: info@chipsmall.com Web: www.chipsmall.com

Address: A1208, Overseas Decoration Building, #122 Zhenhua RD., Futian, Shenzhen, China

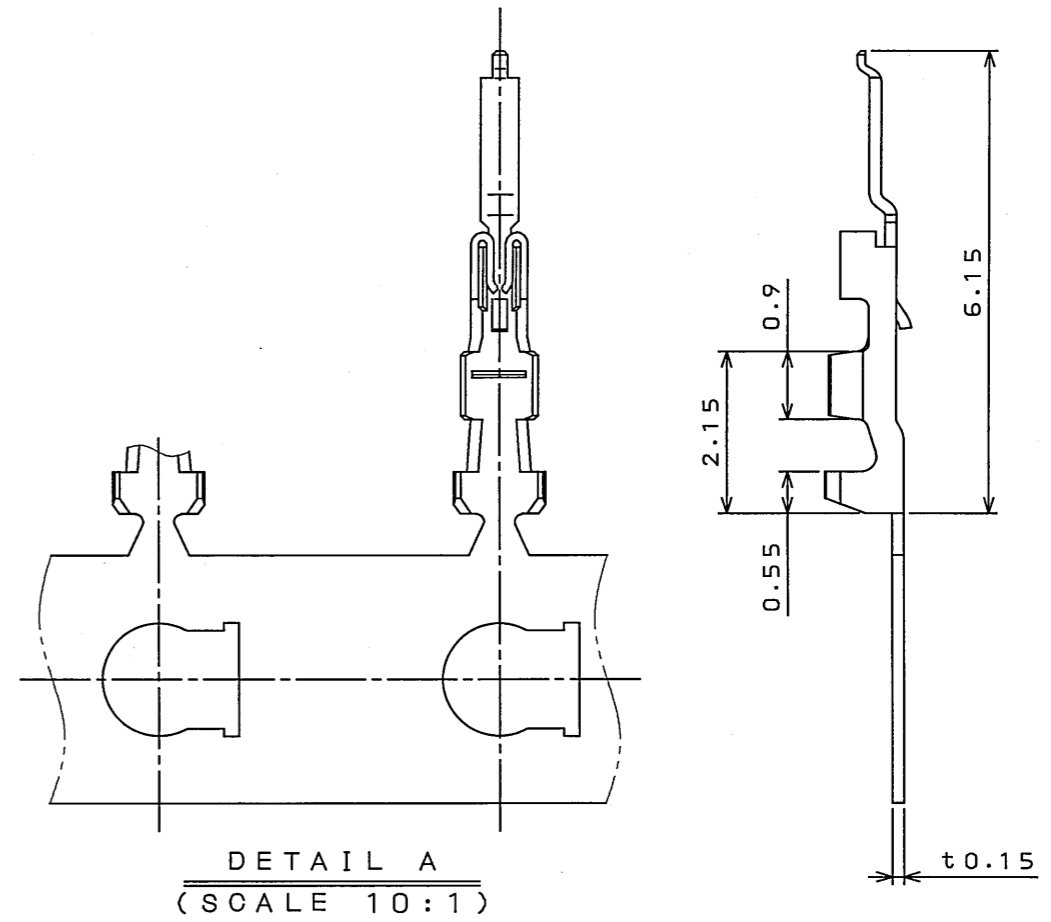
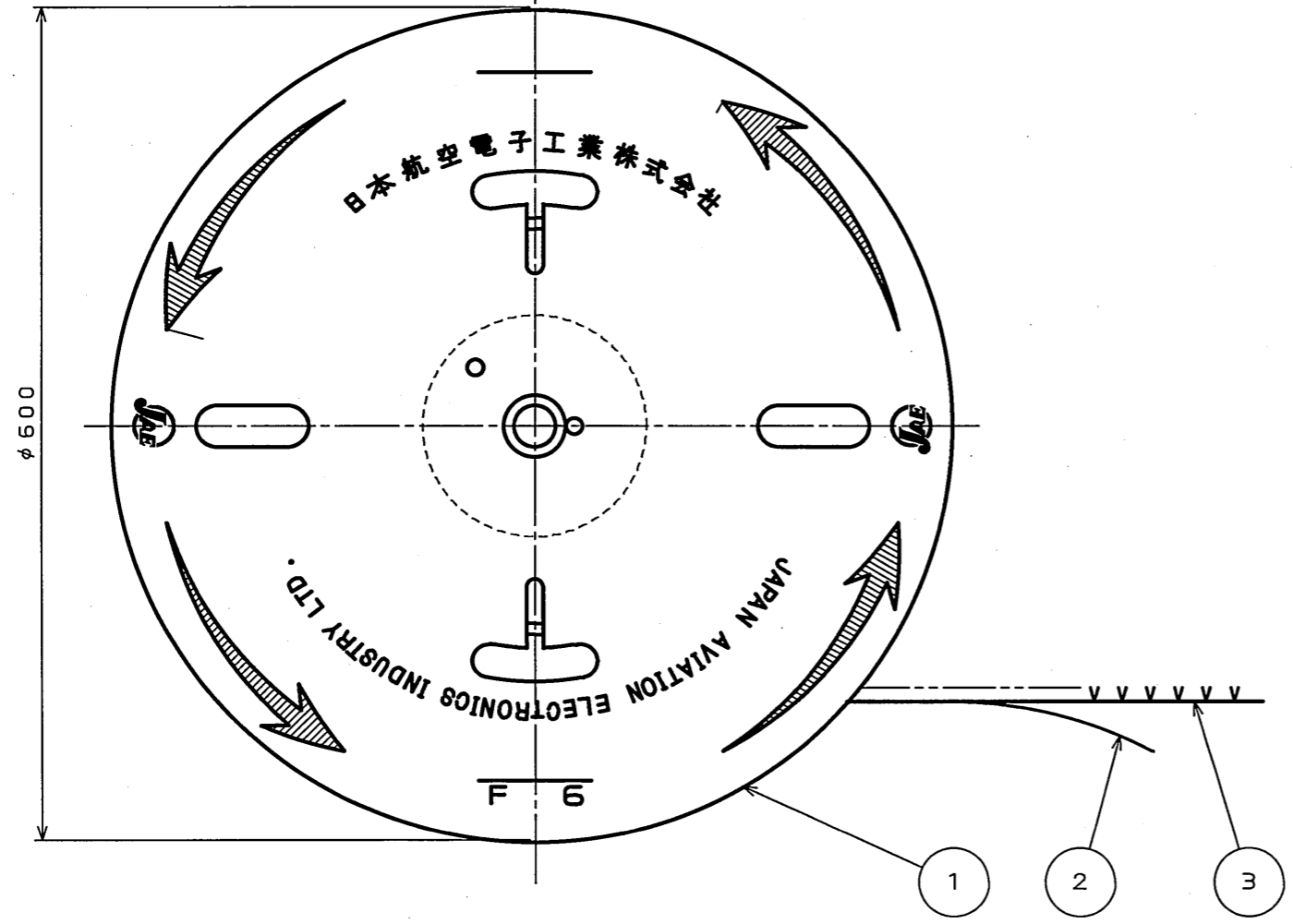


シ106017
(DRAWING NO.) 台要図

版数 REV.	年月日 DATE	DCN NO.	変更内容 DESCRIPTION	製図 DR.	担当 CHK.	査閲 APPD.	承認 APPD.
2	28.Feb.2007	062419	ADD GENERAL TOLERANCE	M.SUZUKI	T.SHIODA	M.SUZUKI	K.Hisatomi



EXCLUDING CRIMP POT
クリンプポット部は除く



NOTE 1. APPLICABLE WIRE: #30~#36 AWG. STANDERD.
 2. INSULATION OUTER DIA. $\phi 0.45 \sim \phi 0.75\text{mm}$
 3. USE THE APPLICATOR MADE BY JAE.
 注 1. 使用電線は、AWG#30~#36の撚線とする。
 2. 被覆外径は $\phi 0.45 \sim 0.75\text{mm}$ とする。
 3. アプリケータはJAEオリジナルを使用とする。

3	CONTACT	15000	COPPER ALLOY	MATING AREA : GOLD(0.1 μm MIN) OVER NICKEL	CRIMP AREA:TIN PLATING
2	PAPER TAPE	1	PAPER		
1	MAGAZINE	1	PAPER		
符号 NO.	名称 DESCRIPTION	個数 QTY.	材料 MATERIAL	仕上 FINISH	備考 REMARKS
仕様書(SPECIFICATION) JACS-1597-507		第1版(ORIGINAL DATE) 10.Dec.2005		尺度(SCALE) —	シリーズ(SERIES) FI-X
公差(GENERAL TOLERANCE)		製図 DR. M.SUZUKI		名称(TITLE) FI-XC3A-1-15000	
寸法(DIMENSION) 角度(ANGLES)		担当 CHK. T.SHIODA		MAGAZINE ASSEMBLY	
. ± 0.8 X° \pm		査閲 APPD. M.SUZUKI		質量(MASS)	
.X ± 0.4 X°X' \pm		承認 APPD. K.HISATOMI		図面番号(DRAWING NO.) SJ106017	
.XX ± 0.1				版数 (REV.) 2	
.XXX \pm Δ					

DOF-0-212F(05.08)

