



Chipsmall Limited consists of a professional team with an average of over 10 year of expertise in the distribution of electronic components. Based in Hongkong, we have already established firm and mutual-benefit business relationships with customers from,Europe,America and south Asia,supplying obsolete and hard-to-find components to meet their specific needs.

With the principle of “Quality Parts,Customers Priority,Honest Operation,and Considerate Service”,our business mainly focus on the distribution of electronic components. Line cards we deal with include Microchip,ALPS,ROHM,Xilinx,Pulse,ON,Everlight and Freescale. Main products comprise IC,Modules,Potentiometer,IC Socket,Relay,Connector.Our parts cover such applications as commercial,industrial, and automotives areas.

We are looking forward to setting up business relationship with you and hope to provide you with the best service and solution. Let us make a better world for our industry!



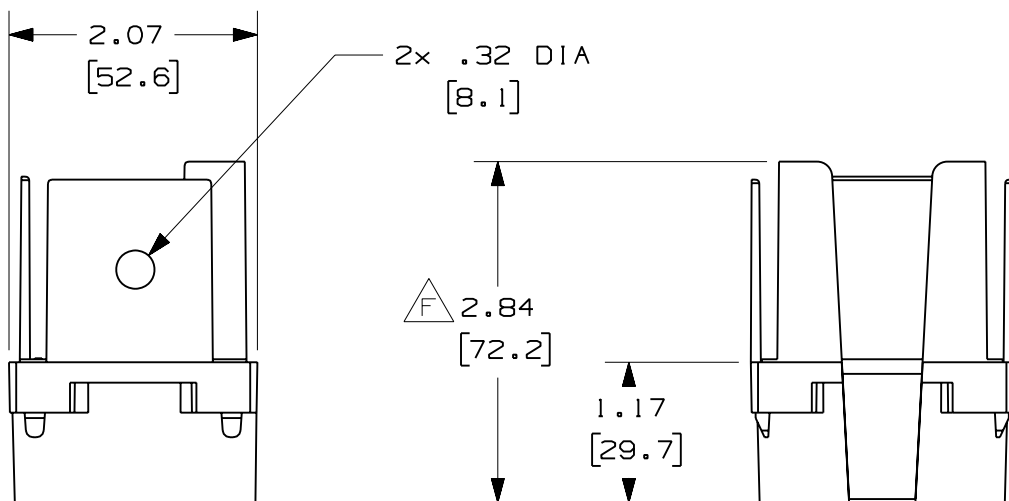
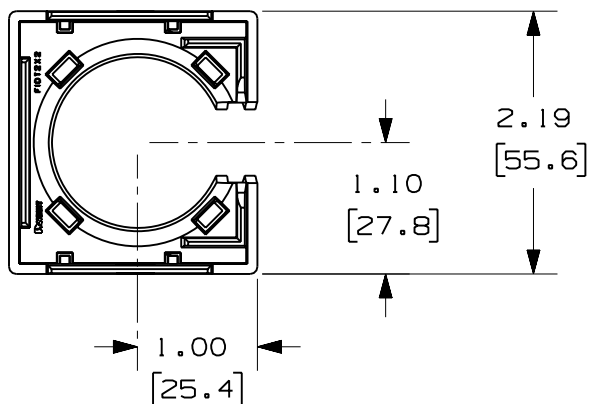
## Contact us

Tel: +86-755-8981 8866 Fax: +86-755-8427 6832

Email & Skype: info@chipsmall.com Web: www.chipsmall.com

Address: A1208, Overseas Decoration Building, #122 Zhenhua RD., Futian, Shenzhen, China

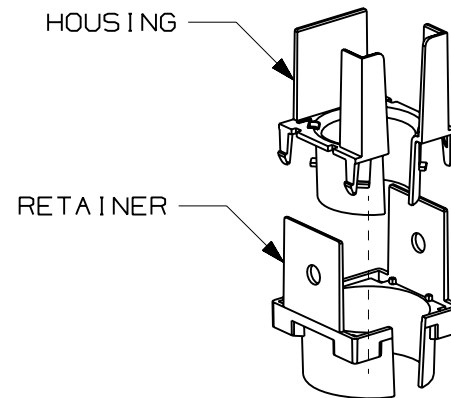




PANDUIT PART NUMBER	WEIGHT
F1DT2X2	0.08 LB/EACH (37g/EACH)

**NOTES:**

- SEE CURRENT CATALOG FOR ADDITIONAL PART SUFFIXES TO INDICATE COLOR AND/OR PACKAGE QUANTITY.
- THE FIBER-DUCT 2x2 AND FIBERRUNNER 2x2 1-PORT SPILL-OUT TO 1 1/2" I.D. CORRUGATED LOOM TUBING IS USED TO CREATE A SINGLE PORT FLEXIBLE SPILL-OUT INTO EQUIPMENT FRAMES OR TELECOMMUNICATIONS CABINETS. THE SPILL-OUT ACCEPTS ONE (1) PIECE OF 1 1/2" (38.1) I.D. SLIT CORRUGATED LOOM TUBING (CLT150F-X\*\*, CLT150F-T20)
- DIMENSIONS IN PARENTHESES ARE IN METRIC.



ENG. REF.: D38388BF\_DC\_F1DT2X2\_01.prt

CAD FILENAME/LAYERS: F1DT2X2.pdf

**PANDUIT** CORP. TINLEY PARK, ILLINOIS  
 FIBER-DUCT 2x2 AND FIBERRUNNER 2x2 1-PORT SPILL-OUT TO 1 1/2" I.D. CORRUGATED LOOM TUBING (F1DT2X2)  
 CUSTOMER DRAWING

UNLESS OTHERWISE SPECIFIED, DIMENSIONAL TOLERANCES ARE:  
 (.X) ± (.XXX) ±  
 (.XX) ± .03 (.8) ANGLES ±  
 UNLESS OTHERWISE SPECIFIED, ALL DIMENSIONS ARE GIVEN IN INCHES, THIRD ANGLE PROJECTION.

REV	DATE	BY	CHK	DESCRIPTION	ECN	R	CUST	SUP	GMBH
-	-----	---	--	F. REVISED PART GEOMETRY	-----	--	--		
-	-----	---	--	E. REVISED GENERAL NOTES D. REVISED PART WEIGHT	-----	--	--		
2	6-21-06	MSO	RN	C. REVISED DRAWING TITLE B. REVISED CAD FILENAME	38388-03	RN	RN		
1	5-24-02	JHNU	WAB	A. REVISED NOTE 3.	38388-03	HIW	HIW		
R	5-13-02	JHNU	WAB	RELEASED TO PRODUCTION	38388-03	HIW	HIW		

DRAWN BY: JHNU	MAT'L: ABS	SCALE: NONE
DATE: 5-13-02		DRAWING NO. 38388-03
CHK'D: WAB		DWG SIZE: A