



Chipsmall Limited consists of a professional team with an average of over 10 year of expertise in the distribution of electronic components. Based in Hongkong, we have already established firm and mutual-benefit business relationships with customers from,Europe,America and south Asia,supplying obsolete and hard-to-find components to meet their specific needs.

With the principle of “Quality Parts,Customers Priority,Honest Operation,and Considerate Service”,our business mainly focus on the distribution of electronic components. Line cards we deal with include Microchip,ALPS,ROHM,Xilinx,Pulse,ON,Everlight and Freescale. Main products comprise IC,Modules,Potentiometer,IC Socket,Relay,Connector.Our parts cover such applications as commercial,industrial, and automotives areas.

We are looking forward to setting up business relationship with you and hope to provide you with the best service and solution. Let us make a better world for our industry!



Contact us

Tel: +86-755-8981 8866 Fax: +86-755-8427 6832

Email & Skype: info@chipsmall.com Web: www.chipsmall.com

Address: A1208, Overseas Decoration Building, #122 Zhenhua RD., Futian, Shenzhen, China



PRODUCT BRIEF

KEY FEATURES

- ▶ High reliability
- ▶ Low insertion Loss
- ▶ High Isolation
- ▶ Optimized for different wavelengths
- ▶ Wide operating temperature range

OVERVIEW

Finisar free space isolators are used in various TOSAs, which require isolation to prevent feedback into the laser. Available in single stage and semi-double stage designs.

Finisar free space isolators offer excellent performance with low insertion loss, high isolation. Our proprietary bonding process, and years of volume manufacturing experience, results in a high reliability record. Bare isolator chips survive more than 5,000hrs of damp heat testing without delamination.



SPECIFICATIONS

Single stage free space isolator specifications:

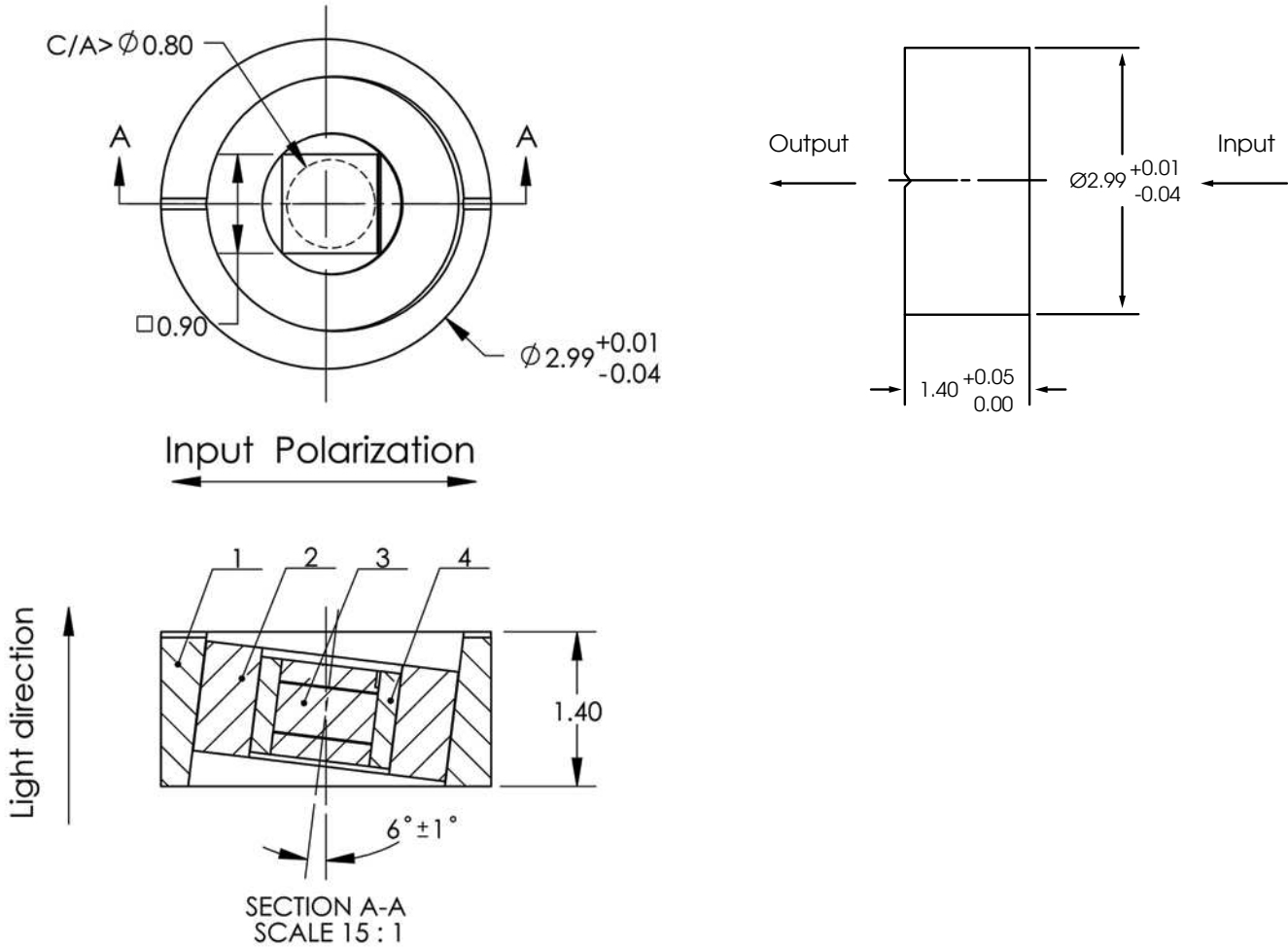
Parameters	Units	Specification
CWL	nm	1270 ~ 1610
Operating wavelength	nm	+/-20
Insertion loss	dB	< 0.3
Minimum Isolation*	dB	>20
Clear aperture	mm	> 0.8 diameter
Tilt angle	DEG	6 +/- 1
Operating temperature	°C	-40 to 85
Storage temperature	°C	-40 to 100

* Note: Overall wavelengths and temperatures

Free Space Isolator

PACKAGE DIMENSIONS (unit:mm)

Single Stage Isolator (Round type)



ORDERING INFORMATION

Part Number:	Description
FIF-S-55-080-R	Free space isolator, 1550nm, single stage, CA 0.8mm, round
FIF-S-31-080-R	Free space isolator, 1310nm, single stage, CA 0.8mm, round

Finisar[®] 1389 Moffett Park Drive
Sunnyvale, CA 94089
Phone 408-548-1000
Email: sales@finisar.com
www.finisar.com