



Chipsmall Limited consists of a professional team with an average of over 10 year of expertise in the distribution of electronic components. Based in Hongkong, we have already established firm and mutual-benefit business relationships with customers from,Europe,America and south Asia,supplying obsolete and hard-to-find components to meet their specific needs.

With the principle of “Quality Parts,Customers Priority,Honest Operation,and Considerate Service”,our business mainly focus on the distribution of electronic components. Line cards we deal with include Microchip,ALPS,ROHM,Xilinx,Pulse,ON,Everlight and Freescale. Main products comprise IC,Modules,Potentiometer,IC Socket,Relay,Connector.Our parts cover such applications as commercial,industrial, and automotives areas.

We are looking forward to setting up business relationship with you and hope to provide you with the best service and solution. Let us make a better world for our industry!



## Contact us

Tel: +86-755-8981 8866 Fax: +86-755-8427 6832

Email & Skype: info@chipsmall.com Web: www.chipsmall.com

Address: A1208, Overseas Decoration Building, #122 Zhenhua RD., Futian, Shenzhen, China



## PRODUCT BRIEF

### KEY FEATURES

- ▶ High reliability
- ▶ Low insertion Loss
- ▶ High Isolation
- ▶ Optimized for different wavelengths
- ▶ Wide operating temperature range

### OVERVIEW

Pigtail isolator is generally used in various lasers which require isolation to prevent feedback into laser.

Finisar pigtail isolators offer excellent performance with low insertion loss, high isolation. Our proprietary bonding process, and years of volume manufacturing experience, results in a high reliability record. Bare isolator chips survive more than 5,000hrs of damp heat testing without delamination.

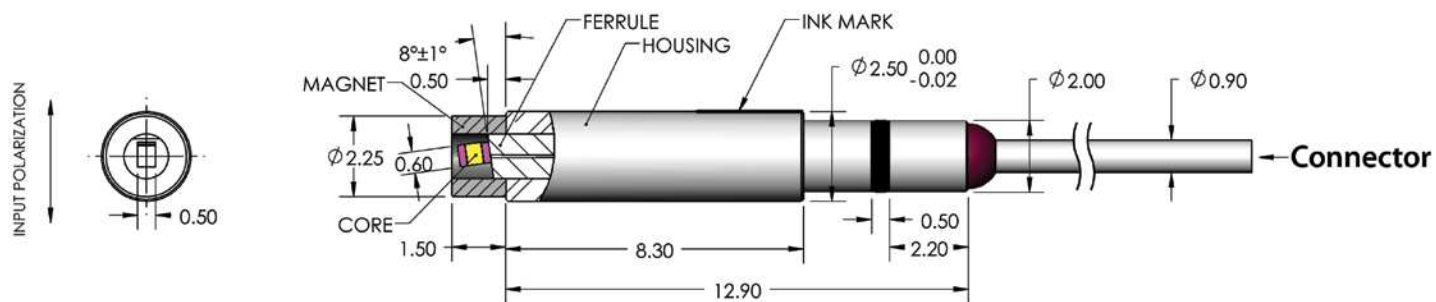


### SPECIFICATIONS

Parameters	Units	Specification
CWL	nm	1270 ~ 1610
Operating wavelength	nm	+/-20
Insertion loss (Isolator chip)	dB	< 0.4
Insertion loss (Connector)	dB	< 0.2
Isolation at center wavelength	dB	>30 dB @ 23 °C
Operating temperature	°C	-40 to 85
Storage temperature	°C	-40 to 85
Connector		SC/APC

# Pigtail Isolator

## PACKAGE DIMENSIONS (unit: mm)



## ORDERING INFORMATION

Part Number:	Description
FIP-S-31-00-4	Pigtail isolator, 1310nm, single stage, SC/APC connector
FIP-S-55-10-4	Pigtail isolator, 1550nm, single stage, SC/APC connector