



Chipsmall Limited consists of a professional team with an average of over 10 year of expertise in the distribution of electronic components. Based in Hongkong, we have already established firm and mutual-benefit business relationships with customers from,Europe,America and south Asia,supplying obsolete and hard-to-find components to meet their specific needs.

With the principle of “Quality Parts,Customers Priority,Honest Operation,and Considerate Service”,our business mainly focus on the distribution of electronic components. Line cards we deal with include Microchip,ALPS,ROHM,Xilinx,Pulse,ON,Everlight and Freescale. Main products comprise IC,Modules,Potentiometer,IC Socket,Relay,Connector.Our parts cover such applications as commercial,industrial, and automotives areas.

We are looking forward to setting up business relationship with you and hope to provide you with the best service and solution. Let us make a better world for our industry!



Contact us

Tel: +86-755-8981 8866 Fax: +86-755-8427 6832

Email & Skype: info@chipsmall.com Web: www.chipsmall.com

Address: A1208, Overseas Decoration Building, #122 Zhenhua RD., Futian, Shenzhen, China



[Home](#) > [Products](#) > [Intellectual Property](#) > [Lattice IP Cores](#) > [Serial FIR Filter](#)

Serial FIR Filter

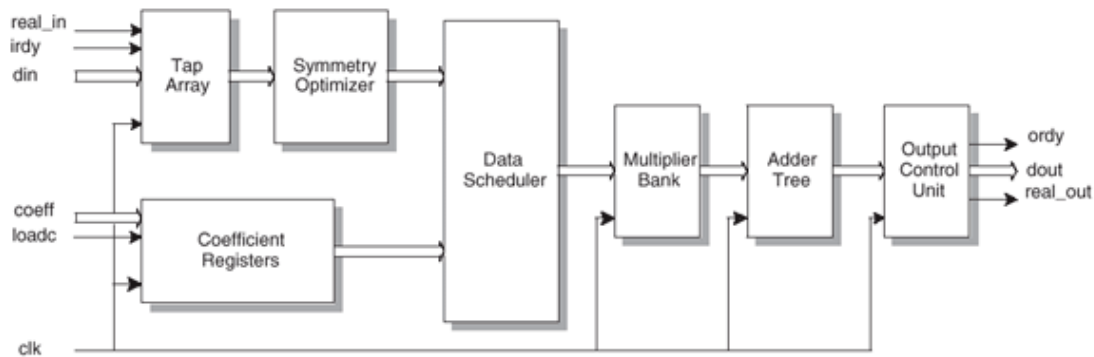
Overview

Many digital systems use filters to remove noise, provide spectral shaping, or perform signal detection. Two types of common filters that provide these functions are Infinite Impulse Response (IIR) and Finite Impulse Response (FIR) filters. IIR filters are used in systems that can tolerate phase distortion. FIR filters have an inherently stable structure, and are used in systems that require linear phase. This benefit makes FIR filters attractive enough that they are designed into a large number of systems. However, for a given frequency response specification, FIR filters are of higher order than IIR, making them computationally expensive.

The Lattice Serial FIR filter uses serial arithmetic elements to achieve a compact size. Due to the serial nature of the arithmetic, the data rate is slower than the clock rate and dependant on the data width. The effective throughput is defined as:

$$\text{Data rate} = (f / (\text{ofw} + 1))$$

where ofw is the Output Full Width and f is the clock frequency.



Features

- Serial Arithmetic for Reduced Resource Utilization
- Variable Number of Taps up to 64
- Data and Coefficients up to 32 Bits
- Output Size Consistent with Data Size
- Signed or Unsigned Data and Coefficients
- Full Arithmetic Precision
- Fixed or Loadable Coefficients
- Decimation and Interpolation
- Real or Complex Data
- Selectable Rounding
- Scaleable Outputs
- Multi-cycle Modes for Area/Time Tradeoffs
- Supports Symmetric or Anti-Symmetric Filters
- Optimization Based on Symmetry of Filter
- Fully Synchronous Design

Evaluation Configurations

Performance and Resource Utilization

Parameter	LUT4s ²	PFUs ³	Registers	External Pins	System EBRs	f _{MAX} ¹
fir_ser_xp_1_002.lpc ⁴	260	115	382	41	None	185

¹ Performance and utilization characteristics using LFX1200B-04FE680C in Lattice's ispLEVER™ v.3.0 design tool. Synthesized using Synplicity's Synplify Pro v.7.2.1. When using this IP core in a different density, package, speed, or grade within the ispXPGA family, performance may vary slightly.

² Look-Up Table (LUT) is a standard logic block of Lattice devices. LUT4 is a 4-input LUT. For more information check the data sheet of the device.

³ Programmable Function Unit (PFU) is a standard logic block of some Lattice devices. For more information, check the data sheet of the device.

⁴ Configuration [fir_ser_xp_1_002.lpc](#) has the following settings: Number of Taps (n) = 16, Data Width(w) = 8, Coeff Width = 8, Output Width = 20, Signed, Single-Cycle, Real, Symmetric Coeff, Loadable Coeff (8 Coeffs).

Parameter Values for Evaluation Configuration(s)

Parameter File Name	Input Data Width (Bits)	Number of Taps	FIR Type	Symmetry	Arithmetic type	Data Type	Output Data Width (Full Data Width) ²
fir_ser_xp_1_002.lpc ₁	8	16	Single cycle	Symmetric	Signed	Real	Full (20)

¹ The latency for the [fir_ser_xp_1_002](#) configuration is (6 + Output_Full_Width + 1) or 27.

² The Output Data Width is the same as the Full Data Width.

Ordering Information

Part Numbers: For XPGA: FIR-SER-XP-N1

To find out how to purchase the Serial FIR Filter IP Core, please contact your [local Lattice Sales Office](#).