



Chipsmall Limited consists of a professional team with an average of over 10 year of expertise in the distribution of electronic components. Based in Hongkong, we have already established firm and mutual-benefit business relationships with customers from,Europe,America and south Asia,supplying obsolete and hard-to-find components to meet their specific needs.

With the principle of “Quality Parts,Customers Priority,Honest Operation,and Considerate Service”,our business mainly focus on the distribution of electronic components. Line cards we deal with include Microchip,ALPS,ROHM,Xilinx,Pulse,ON,Everlight and Freescale. Main products comprise IC,Modules,Potentiometer,IC Socket,Relay,Connector.Our parts cover such applications as commercial,industrial, and automotives areas.

We are looking forward to setting up business relationship with you and hope to provide you with the best service and solution. Let us make a better world for our industry!



## Contact us

Tel: +86-755-8981 8866 Fax: +86-755-8427 6832

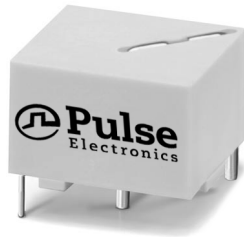
Email & Skype: info@chipsmall.com Web: www.chipsmall.com

Address: A1208, Overseas Decoration Building, #122 Zhenhua RD., Futian, Shenzhen, China



# Current Sense Transformers

## FIS 1X5 Series



- Current sense transformers provide output feedback to the pulse control circuitry allowing low-cost regulation of switch-mode power supplies
- Fully encapsulated construction
- Isolation primary to secondary: 4000V AC
- 25A maximum primary current, 500kHz maximum frequency
- Applications:** switch-mode power supplies, lighting, switch controls

### Electrical Specifications @ 25°C - Operating Temperature -40°C to +125°C

Part No.	Prim/Sec Ratio	Sec L (mH MIN)	Sec DCR (Ω MAX)	V x τ (MAX)
FIS105NL	1:50	4.7	0.5	175 μVS
FIS115NL	1:100	18	2.0	350 μVS
FIS125NL	1:200	76	4.5	700 μVS
FIS155NL	1:500	470	16.0	1750 μVS
FIS1105NL	1:1000	1900	50.0	3500 μVS

#### Notes:

L: Inductance: (1-3) tested at 10 KHz & 10 mV

Rt (Ω): Recommended Terminating Resistance

\* Contact Pulse for availability

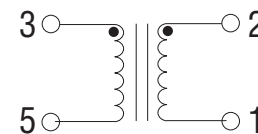
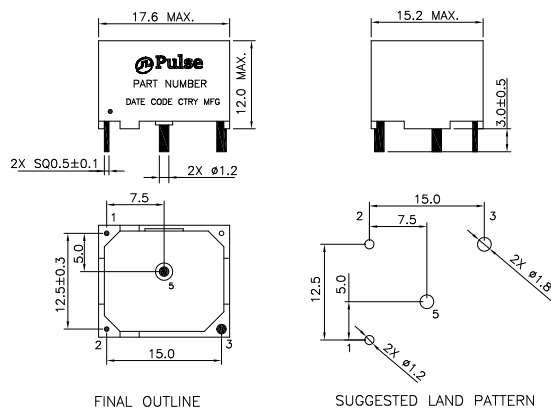
V x τ:  $V = Rt \times I$        $\tau = \frac{1}{2F}$

Is (A): sec. current      F(Hz): Frequency

### Mechanicals

### Schematics

FISXXX



	<b>FIS105NL/15NL/25NL/55NL</b>	<b>FIS1105NL</b>
<b>Weight</b> .....	7.0 grams	8.0 grams
<b>Tray</b> .....	30/tray	34/tray

**Dimension:** mm

Unless otherwise specified, all tolerances are ± 0.50

### For More Information

#### Pulse Worldwide Headquarters

15255 Innovation Drive Ste 100  
San Diego, CA 92128  
U.S.A.

#### Pulse Europe

Pulse Electronics GmbH  
Am Rottland 12  
58540 Meinerzhagen  
Germany

#### Pulse China Headquarters

Pulse Electronics (ShenZhen) CO., LTD  
D708, Shenzhen Academy of  
Aerospace Technology,  
The 10th Keji South Road,  
Nanshan District, Shenzhen,  
P.R. China 518057

#### Pulse North China

Room 2704/2705  
Super Ocean Finance Ctr.  
2067 Yan An Road West  
Shanghai 200336  
China

#### Pulse South Asia

3 Fraser Street  
0428 DUO Tower  
Singapore 189352

#### Pulse North Asia

1F., No.111 Xiyuan Rd  
Zhongli City  
Taoyuan City 32057  
Taiwan (R.O.C)

Tel: 858 674 8100  
Fax: 858 674 8262

Tel: 49 2354 777 100  
Fax: 49 2354 777 168

Tel: 86 755 33966678  
Fax: 86 755 33966700

Tel: 86 21 62787060  
Fax: 86 21 62786973

Tel: 65 6287 8998  
Fax: 65 6280 0080

Tel: 886 3 4356768  
Fax: 886 3 4356820

Performance warranty of products offered on this data sheet is limited to the parameters specified. Data is subject to change without notice. Other brand and product names mentioned herein may be trademarks or registered trademarks of their respective owners. © Copyright, 2018. Pulse Electronics, Inc. All rights reserved.