



Chipsmall Limited consists of a professional team with an average of over 10 year of expertise in the distribution of electronic components. Based in Hongkong, we have already established firm and mutual-benefit business relationships with customers from,Europe,America and south Asia,supplying obsolete and hard-to-find components to meet their specific needs.

With the principle of “Quality Parts,Customers Priority,Honest Operation,and Considerate Service”,our business mainly focus on the distribution of electronic components. Line cards we deal with include Microchip,ALPS,ROHM,Xilinx,Pulse,ON,Everlight and Freescale. Main products comprise IC,Modules,Potentiometer,IC Socket,Relay,Connector.Our parts cover such applications as commercial,industrial, and automotives areas.

We are looking forward to setting up business relationship with you and hope to provide you with the best service and solution. Let us make a better world for our industry!



Contact us

Tel: +86-755-8981 8866 Fax: +86-755-8427 6832

Email & Skype: info@chipsmall.com Web: www.chipsmall.com

Address: A1208, Overseas Decoration Building, #122 Zhenhua RD., Futian, Shenzhen, China





Robot Gripper - Extra Width

SKU:FIT0300

This is a 2 DOF robot gripper that can be installed with 2 servos so as to control gripper opening and closing with one servo, and steering gear motion control (or rotation) with the other servo.

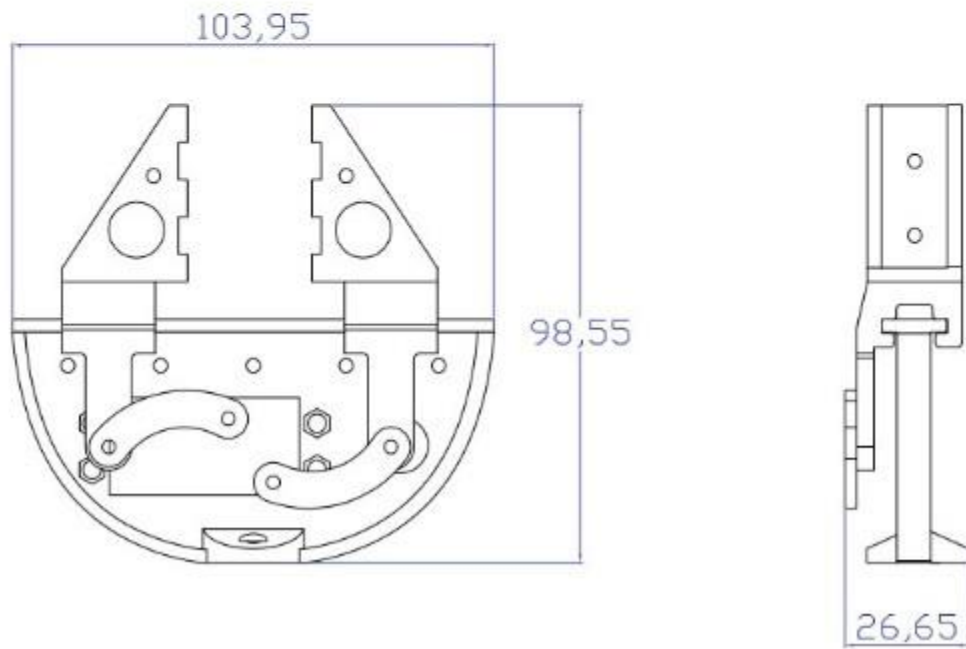
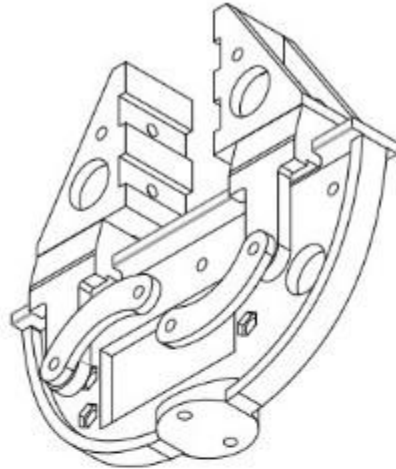
Velocity range is 0 to 54 mm (0 to 2.13"). Total weight about 45 g. The servo slot fit most servos such as Hitec 422,475, DSS-P05 Standard Servo, DF Metal Geared 15Kg Standard Servo.

SPECIFICATION

- Clamp range:0-54mm (0-2.13")
- Size:105x100x30mm (4.13x3.94x1.18")

SHIPPING LIST

- Robot Gripper-Extra Width x1
- Screw kit x1



SHIPPING LIST

- Robot Gripper-Extra Width x1
- Screw kit x1