



Chipsmall Limited consists of a professional team with an average of over 10 year of expertise in the distribution of electronic components. Based in Hongkong, we have already established firm and mutual-benefit business relationships with customers from,Europe,America and south Asia,supplying obsolete and hard-to-find components to meet their specific needs.

With the principle of “Quality Parts,Customers Priority,Honest Operation,and Considerate Service”,our business mainly focus on the distribution of electronic components. Line cards we deal with include Microchip,ALPS,ROHM,Xilinx,Pulse,ON,Everlight and Freescale. Main products comprise IC,Modules,Potentiometer,IC Socket,Relay,Connector.Our parts cover such applications as commercial,industrial, and automotives areas.

We are looking forward to setting up business relationship with you and hope to provide you with the best service and solution. Let us make a better world for our industry!



## Contact us

Tel: +86-755-8981 8866 Fax: +86-755-8427 6832

Email & Skype: info@chipsmall.com Web: www.chipsmall.com

Address: A1208, Overseas Decoration Building, #122 Zhenhua RD., Futian, Shenzhen, China



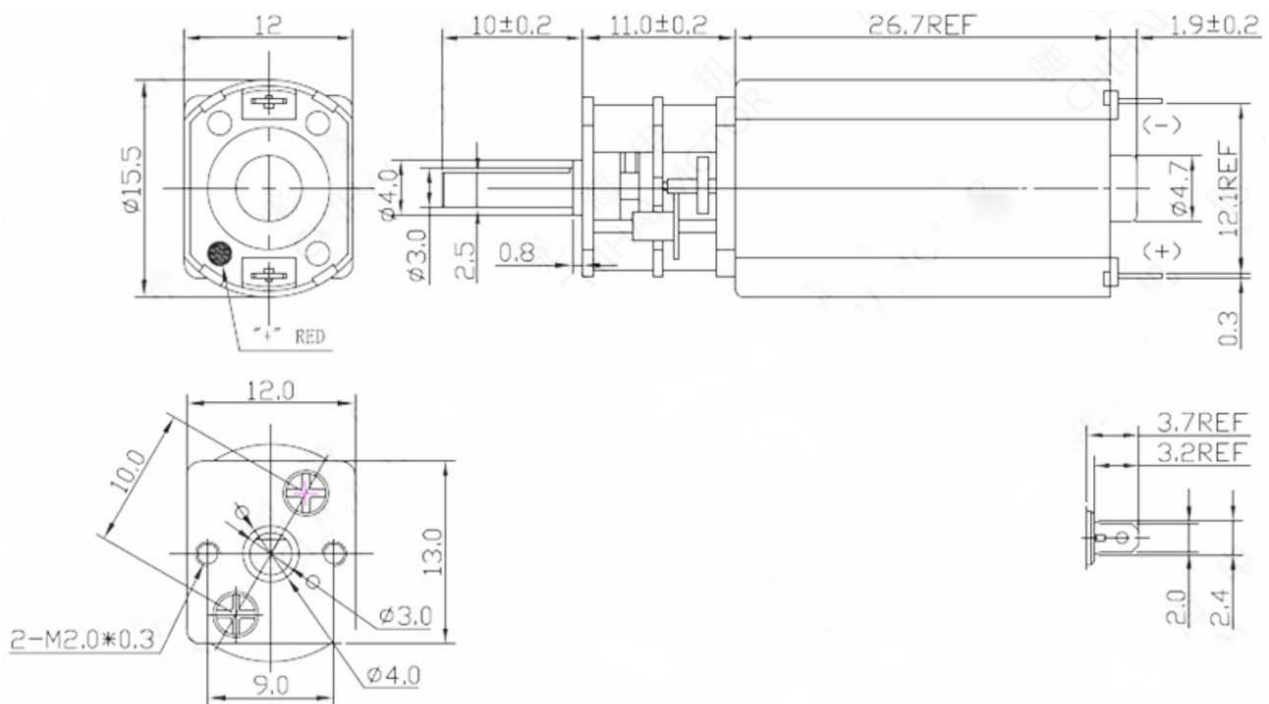


## Mini Metal DC Geared Motor (6V 570RPM 1.5Kg\*cm)

SKU:FIT0564

### INTRODUCTION

This is a mini DC motor with a 1:35 reduction box. It has small size and takes up very little space. It uses metal gears which is durable. The D-shape shaft facilitates the installation of motor. The no-load speed is 570rpm and the noise is low.



- In order to protect the service life of the motor, do not overload it;
- Do not store and use it in high temperature or extreme humidity, which may affect the service life and effect of the motor;
- When soldering is required on the motor terminals of the positive and negative poles of the power supply, if the soldering iron temperature is between  $340\text{ }^{\circ}\text{C} \pm 40\text{ }^{\circ}\text{C}$ , the heating time should be within 3 seconds to prevent overheating deformation of the plastic parts in the motor;
- Do not let the motor shaft get stuck. If it is stuck, the motor will burn out;
- The motor should be used within the voltage specifications.

## *SPECIFICATION*

- Voltage: 6V
- Direction of rotation: two-way
- Reduction ratio: 1:35
- No-load current: less than or equal to 170mA
- No-load speed: 570rpm
- Load torque: 400g.cm
- Load speed: 400rpm
- Load current: less than or equal to 900
- Stall torque: 1.5kg.cm
- Stall current: 3.4A
- Shaft length: 10mm
- Shaft diameter: 3mm D-shaped shaft
- Weight: 25g
- Size: 12\*13-R15.5\*38mm (without motor output shaft)

## *SHIPPING LIST*

- Mini Metal DC Geared Motor (6V 570RPM 1.5Kg\*cm) x1



<https://www.dfrobot.com/product-1750.html> 8-7-18