



Chipsmall Limited consists of a professional team with an average of over 10 year of expertise in the distribution of electronic components. Based in Hongkong, we have already established firm and mutual-benefit business relationships with customers from,Europe,America and south Asia,supplying obsolete and hard-to-find components to meet their specific needs.

With the principle of "Quality Parts,Customers Priority,Honest Operation,and Considerate Service",our business mainly focus on the distribution of electronic components. Line cards we deal with include Microchip,ALPS,ROHM,Xilinx,Pulse,ON,Everlight and Freescale. Main products comprise IC,Modules,Potentiometer,IC Socket,Relay,Connector.Our parts cover such applications as commercial,industrial, and automotives areas.

We are looking forward to setting up business relationship with you and hope to provide you with the best service and solution. Let us make a better world for our industry!



Contact us

Tel: +86-755-8981 8866 Fax: +86-755-8427 6832

Email & Skype: info@chipsmall.com Web: www.chipsmall.com

Address: A1208, Overseas Decoration Building, #122 Zhenhua RD., Futian, Shenzhen, China





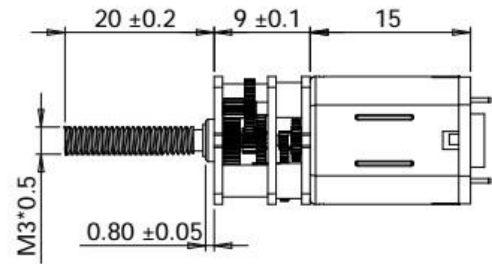
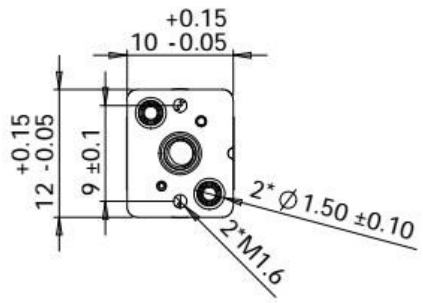
DFROBOT
DRIVE THE FUTURE



Micro Metal DC Geared Motor with Lead Screw (6V 98RPM M3*20)

SKU:FIT0577

This DC gearmotor has an integrated M3*20mm threaded rod as its output shaft, turn it into a linear actuator. 6V rated voltage, the no-load speed could arrive 98RPM, equivalent to 1.1mm/s. The brass faceplate has two mounting holes threaded for M1.6 screws (1.6mm diameter, 0.35mm thread pitch), or you can use the mounting bracket or extended mounting bracket, which are specifically designed to securely mount the gear motor while enclosing the exposed gears.



SPECIFICATION

- Reduction ratio: 1:150
- Standard operating voltage: 6V
- No-load current: $24 \pm 10\%$ mA (Max)
- No-load speed: $98 \pm 10\%$ r/min
- Load current: $185 \pm 10\%$ mA (Max)
- Load speed: $60 \pm 10\%$ r/min
- Load: 550g*cm
- Stall current: $420 \pm 10\%$ mA (Max)
- Locking torque: 1000g*cm
- Single weight: about 10g
- Mechanical noise: ≤ 50 dB (measured at about 10cm from the gearbox)

SHIPPING LIST

- Micro Metal DC Geared Motor with Lead Screw (6V 98RPM M3*20) x1