



Chipsmall Limited consists of a professional team with an average of over 10 year of expertise in the distribution of electronic components. Based in Hongkong, we have already established firm and mutual-benefit business relationships with customers from,Europe,America and south Asia,supplying obsolete and hard-to-find components to meet their specific needs.

With the principle of “Quality Parts,Customers Priority,Honest Operation,and Considerate Service”,our business mainly focus on the distribution of electronic components. Line cards we deal with include Microchip,ALPS,ROHM,Xilinx,Pulse,ON,Everlight and Freescale. Main products comprise IC,Modules,Potentiometer,IC Socket,Relay,Connector.Our parts cover such applications as commercial,industrial, and automotives areas.

We are looking forward to setting up business relationship with you and hope to provide you with the best service and solution. Let us make a better world for our industry!



Contact us

Tel: +86-755-8981 8866 Fax: +86-755-8427 6832

Email & Skype: info@chipsmall.com Web: www.chipsmall.com

Address: A1208, Overseas Decoration Building, #122 Zhenhua RD., Futian, Shenzhen, China



図面番号(DRAWING NO.) SJ100384

版数 REV.	年月日 DATE	DCN NO.	変更内容 DESCRIPTION	製図 DR.	担当 CHK.	査閲 APPD.	承認 APPD.

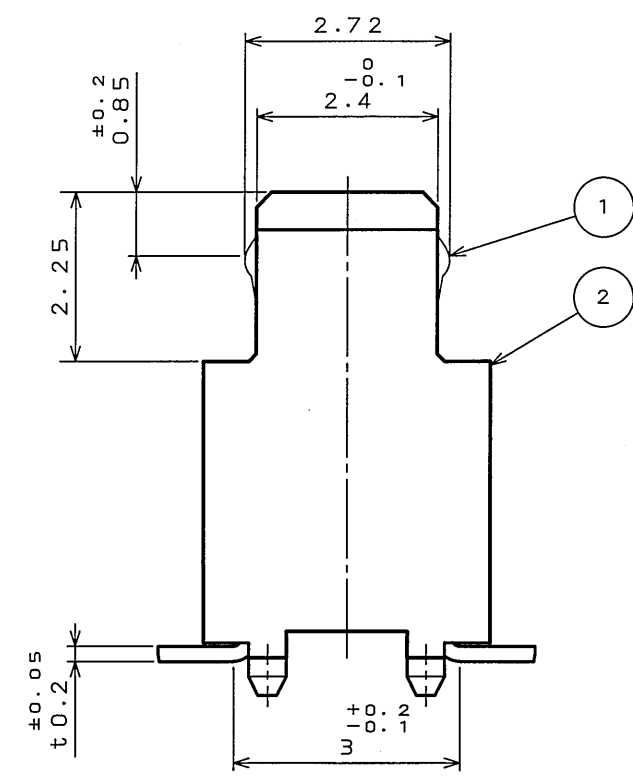
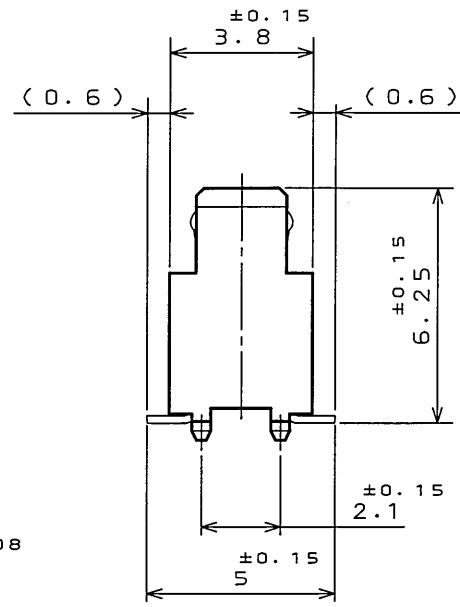
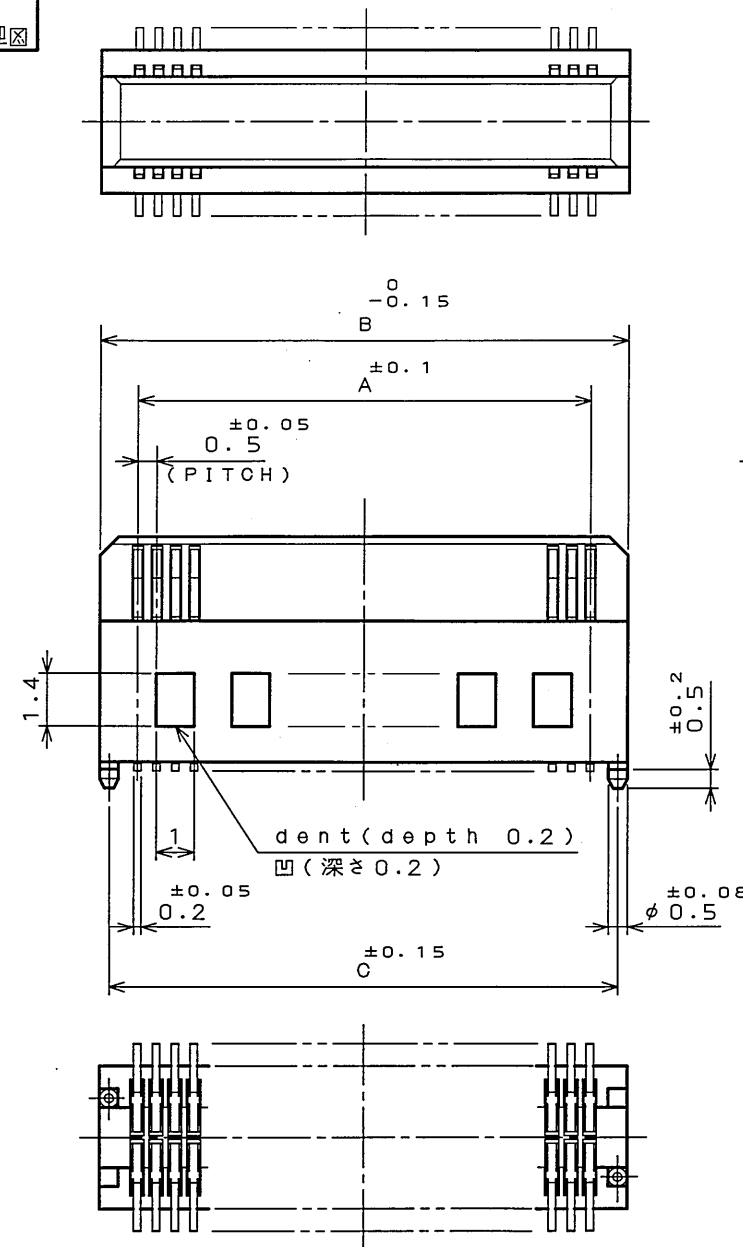


TABLE 1

NO. OF CONTACTS(N)	A	B	C
30	7	9	8.5
40	9.5	11.5	11.0
50	12.0	14.0	13.5
60	14.5	16.5	16.0
80	19.5	21.5	21.0
120	29.5	31.5	31.0
130	32.0	34.0	33.5

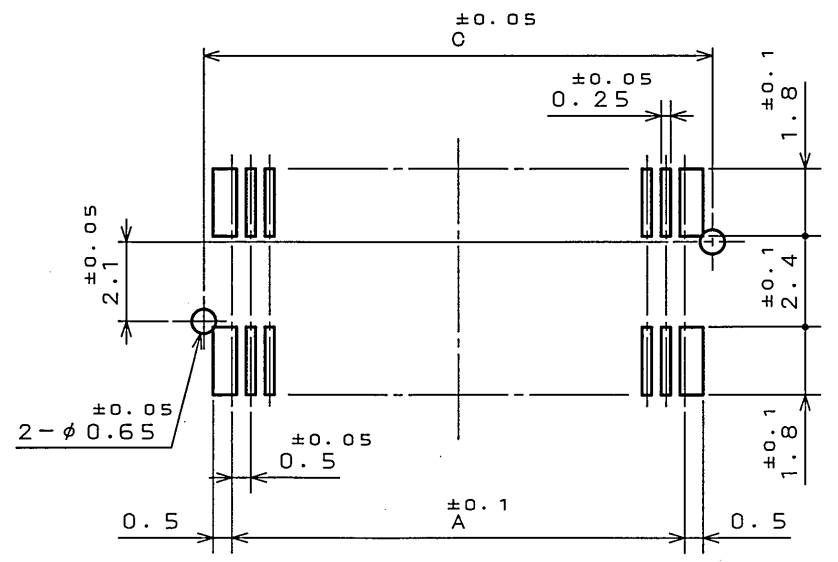
TABLE 2

FINISH	CONTACT AREA	TERMINAL AREA
N1	GOLD (0.1μm MIN) OVER NICKEL	GOLD FLASH OVER NICKEL

NOTE1. COPLANARITY IS AS PER APPLICABLE SPECIFICATION.

注1. 端子の振れ規定は適用仕様書による。

(SCALE 10:1)



APPLICABLE P.C.B. DIMENSIONS(REF.)
適合基板寸法(参考)

2	INSULATOR	1	GLASS FILLED LCP	COLOR: BLACK
1	CONTACT	TABLE 1	PHOSPHOR BRONZE	TABLE 2
符号 NO.	名称 DESCRIPTION	個数 QTY.	材料 MATERIAL	仕上 FINISH
仕様書(SPECIFICATION)	JACS-1385-*	第1版(ORIGINAL DATE) 4.Dec.2003	尺(SCALE) 5:1	シキリ(SERIES) WR-*SB-VFH30-N1
公差(GENERAL TOLERANCE)	寸法(DIMENSION)	角度(ANGLES)	製図 DR.	名称(TITLE) Reference Only
. ±0.8	.X ±0.4	X° ±	担当 CHK.	日本航空電子工業株式会社
.XX ±0.1	.XXX ±	X'X' ±	査閲 APPD.	図面番号(DRAWING NO.) SJ100384
			承認 APPD.	重量(WEIGHT)
				版数 (REV.) 1

LEAD FREE この製品は鉛フリー品です

DOF-0-212E(03.08)

