



Chipsmall Limited consists of a professional team with an average of over 10 year of expertise in the distribution of electronic components. Based in Hongkong, we have already established firm and mutual-benefit business relationships with customers from,Europe,America and south Asia,supplying obsolete and hard-to-find components to meet their specific needs.

With the principle of “Quality Parts,Customers Priority,Honest Operation,and Considerate Service”,our business mainly focus on the distribution of electronic components. Line cards we deal with include Microchip,ALPS,ROHM,Xilinx,Pulse,ON,Everlight and Freescale. Main products comprise IC,Modules,Potentiometer,IC Socket,Relay,Connector.Our parts cover such applications as commercial,industrial, and automotives areas.

We are looking forward to setting up business relationship with you and hope to provide you with the best service and solution. Let us make a better world for our industry!



Contact us

Tel: +86-755-8981 8866 Fax: +86-755-8427 6832

Email & Skype: info@chipsmall.com Web: www.chipsmall.com

Address: A1208, Overseas Decoration Building, #122 Zhenhua RD., Futian, Shenzhen, China



DO NOT SCALE FROM THIS PRINT

DESIGNED & DIMENSIONED IN MILLIMETERS

FJH-XX-X-XX.XX-X

No OF POSITIONS
-06, -10, -15, -20, -24, -25, -30, -40, -43, 50 (SEE TABLE 1)

STRIP LENGTH
-4: 4MM

STYLE
*-S: SINGLE ENDED
-D: DOUBLE ENDED
-R: REVERSE STIFFENER

LENGTH
-XX.XX INCHES ±.125 INCH (-D & -R: 2.00 MINIMUM) (-S: 2.50 MINIMUM)

* = AS OF 1/1/11, -S (SINGLE ENDED) AVAILABLE TO EXISTING CUSTOMERS ONLY, ALL OTHERS WILL BE ASP'S.

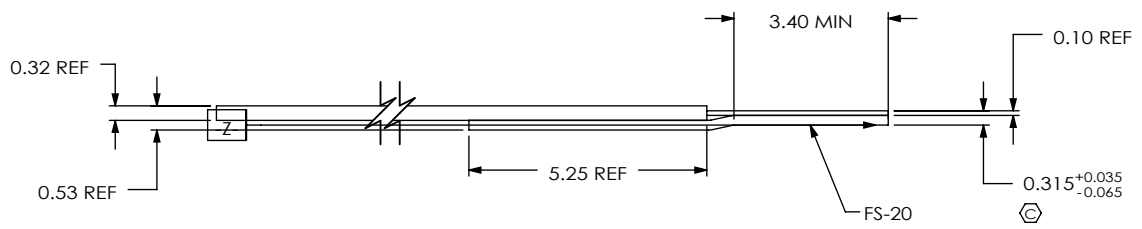
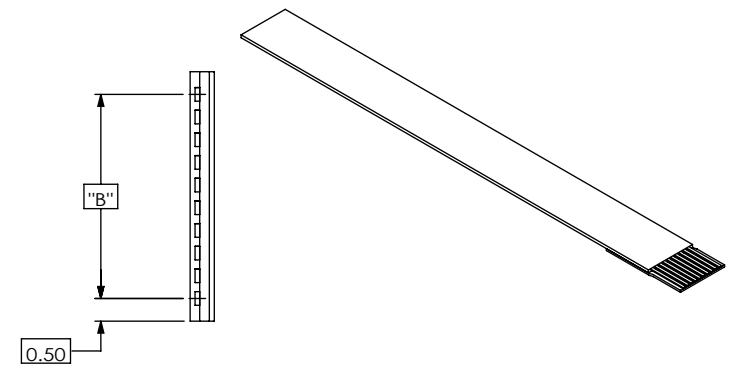
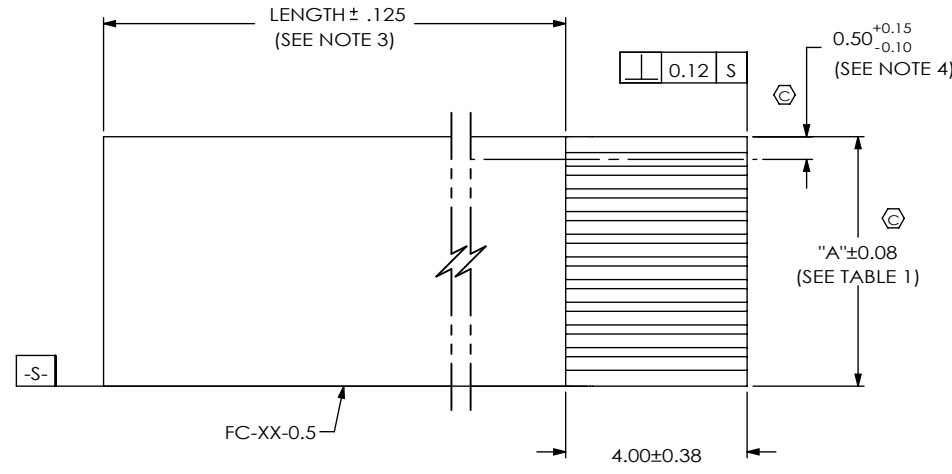

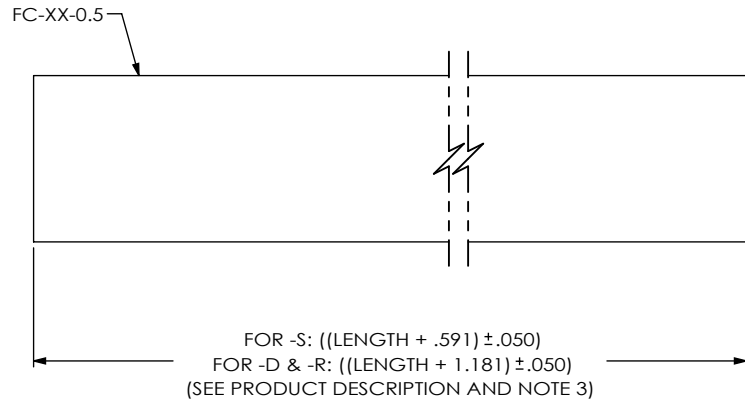


FIG 1
-S: SINGLE ENDED
(FJH-10-S-XX.XX-4 SHOWN)
(HAND BUILT)

TABLE 1		
No. OF POSITIONS	"A"	"B"
-06	3.50	2.50
-10	5.50	4.50
-15	8.00	7.00
-20	10.50	9.50
-24	12.50	11.50
-25	13.00	12.00
-30	15.50	14.50
-40	20.50	19.50
-43	22.00	21.00
-50	25.50	24.50

- NOTE:
1. Ⓢ REPRESENTS A CRITICAL DIMENSION.
 2. TO BE MEASURED AT BASE OF EXPOSED LEAD.
 3. ENGLISH IS PRIMARY FOR THIS MEASUREMENT.
 4. TO BE MEASURED ON BOTH EDGES OF CABLE.

CPC THIS SHEET	UNLESS OTHERWISE SPECIFIED, DIMENSIONS ARE IN MILLIMETERS. TOLERANCES ARE: DECIMALS ANGLES X.X: ±0.3 2° X.XX: ±0.05 X.XXX: ±0.025	PROPRIETARY NOTE * THIS DOCUMENT CONTAINS CONFIDENTIAL AND PROPRIETARY INFORMATION AND ALL DESIGN, MANUFACTURING, REPRODUCTION, USE, PATENT RIGHTS AND SALES RIGHTS ARE EXPRESSLY RESERVED BY SAMTEC, INC. THIS DOCUMENT SHALL NOT BE DISCLOSED, IN WHOLE OR PART, TO ANY UNAUTHORIZED PERSON OR ENTITY NOR REPRODUCED, TRANSFERRED OR INCORPORATED IN ANY OTHER PROJECT IN ANY MANNER WITHOUT THE EXPRESS WRITTEN CONSENT OF SAMTEC, INC.	 520 PARK EAST BLVD, NEW ALBANY, IN 47150 PHONE: 812-944-6733 FAX: 812-948-5047 e-Mail: info@SAMTEC.com code 55322
	MATERIAL: DO NOT SCALE DRAWING SHEET SCALE: 6:1	DESCRIPTION: .5mm FLEX CABLE JUMPER	
C1, C2, C8	CONDUCTORS: TIN PLATED COPPER SURFACE FINISH EITHER BRIGHT TIN (99.9% SN) OR MATTE TIN (95.5% SN, 3.5% AG, 1% CU) INSULATION & STIFFENER: POLYESTER	DWG. NO. FJH-XX-X-XX.XX-X	
	F:\DWG\MISC\MKTG\FJH-XX-X-XX.XX-X-MKT.SLDDRW	BY: KEVIN B 6/28/00	SHEET 1 OF 3



IN-PROCESS 1
(HAND BUILT)

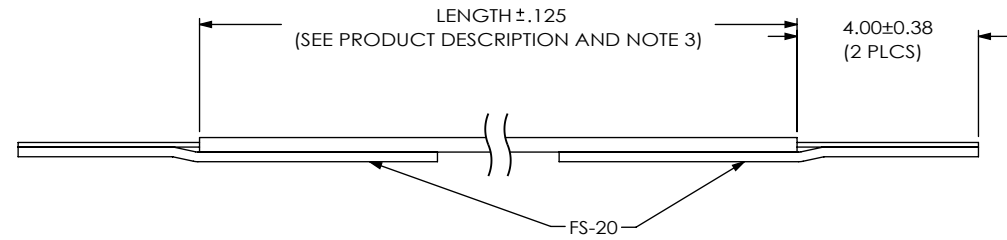
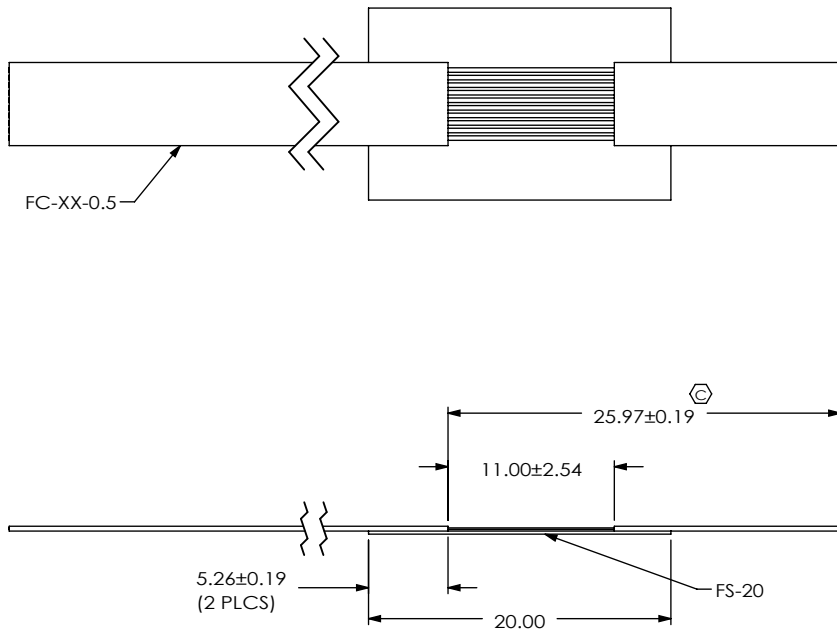


FIG 2
-D: DOUBLE ENDED
(SAME AS FIG 1, UNLESS STATED)
(FIG 4 MAY BE SUBSTITUTED AT SAMTEC DISCRETION)
(HAND BUILT)



IN-PROCESS 2
(TYP ON BOTH ENDS FOR -D & -R STYLES, ONE END -S STYLE)
(HAND BUILT)

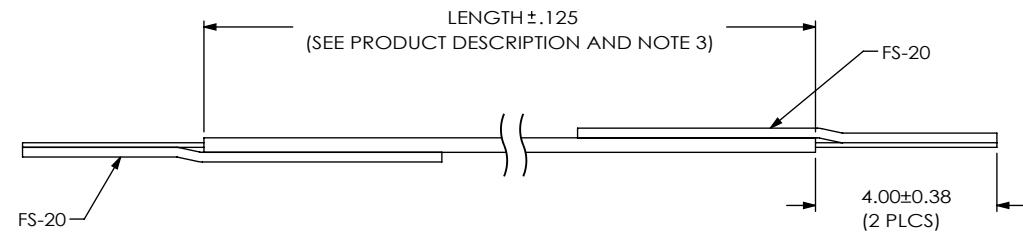


FIG 3
-R: REVERSE STIFFENER
(SAME AS FIG 1, UNLESS STATED)
(FIG 5 MAY BE SUBSTITUTED AT SAMTEC DISCRETION)
(HAND BUILT)

CPC THIS SHEET	* PROPRIETARY NOTE *	 520 PARK EAST BLVD, NEW ALBANY, IN 47150 PHONE: 812-944-6733 FAX: 812-948-5047 e-Mail info@SAMTEC.com code 55322
	THIS DOCUMENT CONTAINS CONFIDENTIAL AND PROPRIETARY INFORMATION AND ALL DESIGN, MANUFACTURING, REPRODUCTION, USE, PATENT RIGHTS AND SALES RIGHTS ARE EXPRESSLY RESERVED BY SAMTEC, INC. THIS DOCUMENT SHALL NOT BE DISCLOSED, IN WHOLE OR PART, TO ANY UNAUTHORIZED PERSON OR ENTITY NOR REPRODUCED, TRANSFERRED OR INCORPORATED IN ANY OTHER PROJECT IN ANY MANNER WITHOUT THE EXPRESS WRITTEN CONSENT OF SAMTEC, INC.	
C3	DO NOT SCALE DRAWING SHEET SCALE: 6:1	DESCRIPTION: .5mm FLEX CABLE JUMPER
		DWG. NO. FJH-XX-X-XX.XX-X
		BY: KEVIN B 6/28/00 SHEET 2 OF 3

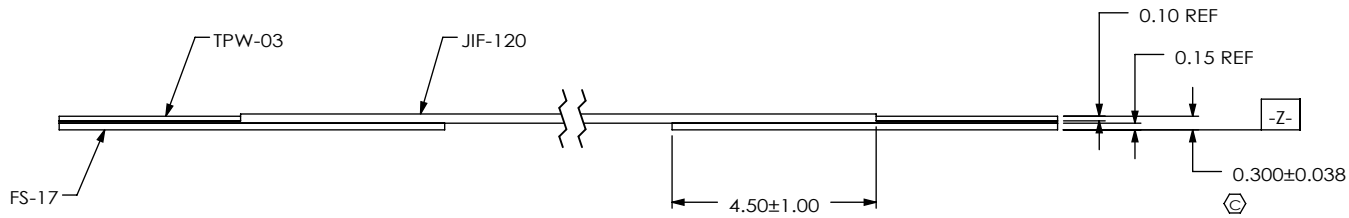
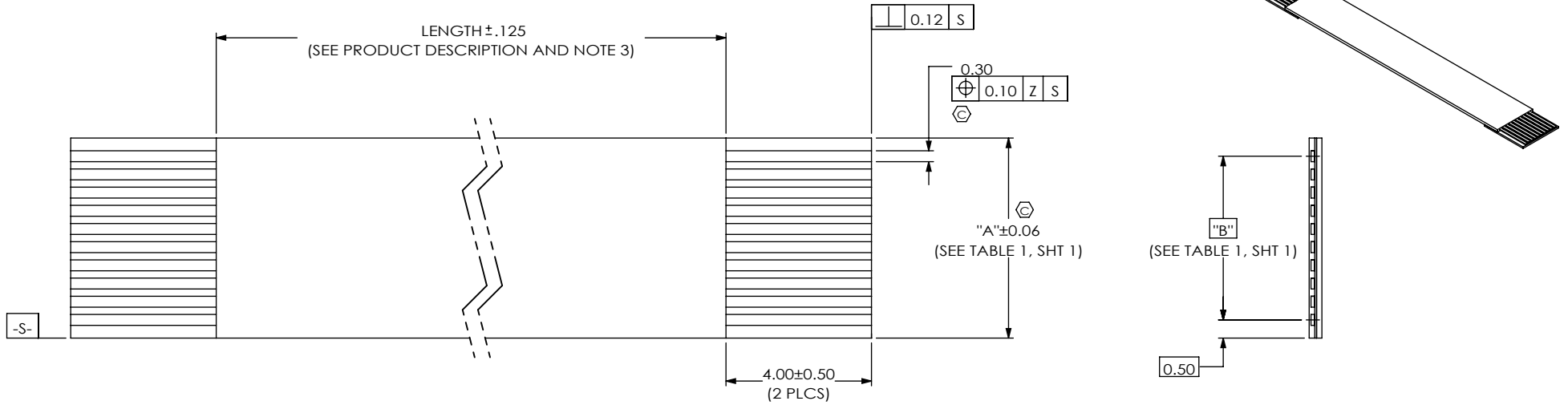


FIG 4
 (-D=DOUBLE ENDED)
 (FJH-10-D-XX.XX-4 SHOWN)
 (MACHINE BUILT)

MATERIAL LENGTH (INCHES) PER CABLE (SEE NOTE 3)	
TPW-03	No. OF POSITIONS x (LENGTH + .314) INCHES
FS-17	A INCHES
JIF-120	((2 x LENGTH + .315) INCHES) X (A/120)

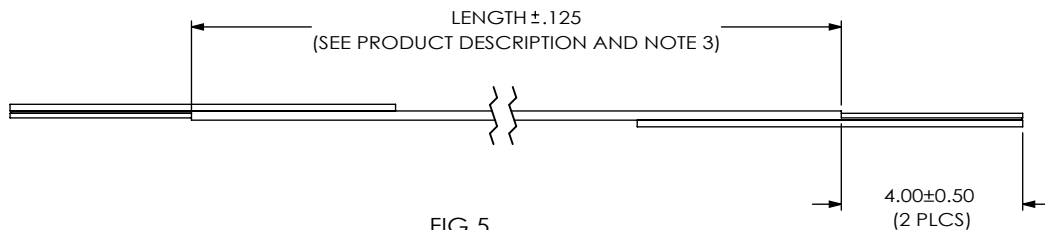


FIG 5
 (-R= REVERSE STIFFENER) (MACHINE BUILT)
 (SAME AS FIG 4 UNLESS STATED)
 (MACHINE BUILT)

CPC THIS SHEET	* PROPRIETARY NOTE THIS DOCUMENT CONTAINS CONFIDENTIAL AND PROPRIETARY INFORMATION AND ALL DESIGN, MANUFACTURING, REPRODUCTION, USE, PATENT RIGHTS AND SALES RIGHTS ARE EXPRESSLY RESERVED BY SAMTEC, INC. THIS DOCUMENT SHALL NOT BE DISCLOSED, IN WHOLE OR PART, TO ANY UNAUTHORIZED PERSON OR ENTITY NOR REPRODUCED, TRANSFERRED OR INCORPORATED IN ANY OTHER PROJECT IN ANY MANNER WITHOUT THE EXPRESS WRITTEN CONSENT OF SAMTEC, INC.	 520 PARK EAST BLVD, NEW ALBANY, IN 47150 PHONE: 812-944-6733 FAX: 812-948-5047 e-Mail info@SAMTEC.com code 55322	
		DWG. NO. FJH-XX-X-XX.XX-X	
		BY: KEVIN B 6/28/00 SHEET 3 OF 3	

C5, C6

DO NOT SCALE DRAWING

SHEET SCALE: 6:1