



Chipsmall Limited consists of a professional team with an average of over 10 year of expertise in the distribution of electronic components. Based in Hongkong, we have already established firm and mutual-benefit business relationships with customers from,Europe,America and south Asia,supplying obsolete and hard-to-find components to meet their specific needs.

With the principle of "Quality Parts,Customers Priority,Honest Operation,and Considerate Service",our business mainly focus on the distribution of electronic components. Line cards we deal with include Microchip,ALPS,ROHM,Xilinx,Pulse,ON,Everlight and Freescale. Main products comprise IC,Modules,Potentiometer,IC Socket,Relay,Connector.Our parts cover such applications as commercial,industrial, and automotives areas.

We are looking forward to setting up business relationship with you and hope to provide you with the best service and solution. Let us make a better world for our industry!



## Contact us

Tel: +86-755-8981 8866 Fax: +86-755-8427 6832

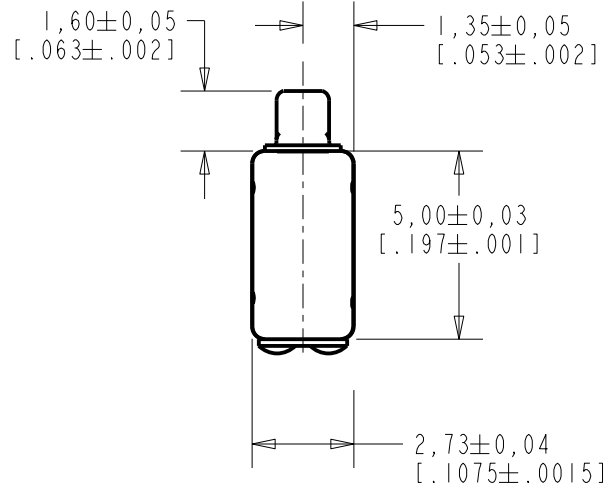
Email & Skype: info@chipsmall.com Web: www.chipsmall.com

Address: A1208, Overseas Decoration Building, #122 Zhenhua RD., Futian, Shenzhen, China



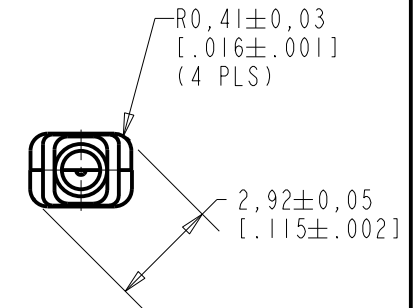
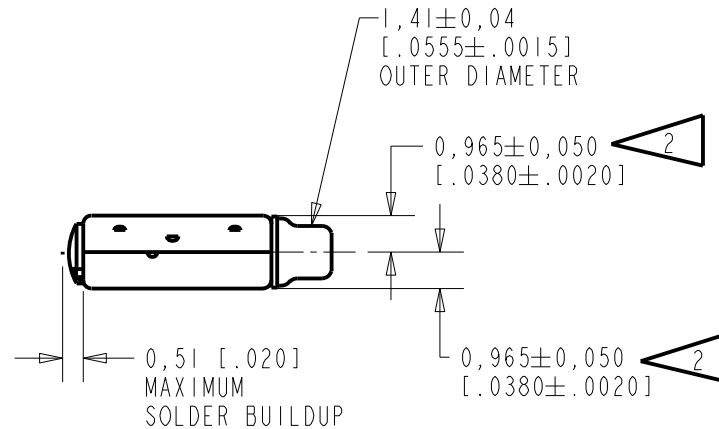
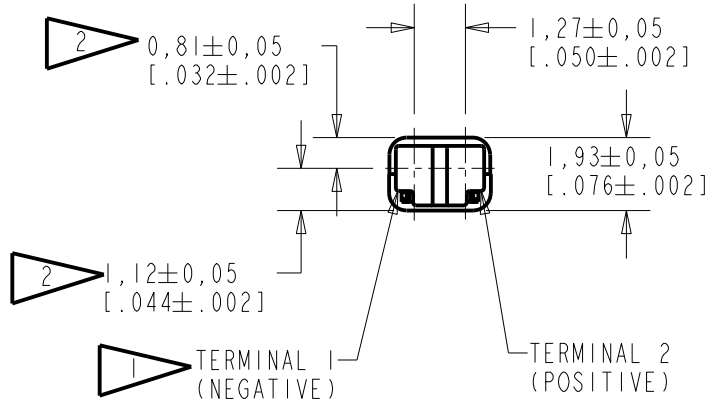
**FK-23451-000**

**SHT 1.1**



NOTES:

- 1 A POSITIVE GOING VOLTAGE AT TERMINAL 2, RELATIVE TO TERMINAL 1, CAUSES A DECREASE IN PRESSURE AT THE SOUND OUTLET.
- 2 LOCATED FROM TWO SURFACES FOR CUSTOMER CONVENIENCE. ONLY APPLICABLE FROM ONE SURFACE, NOT TO BE USED TOGETHER.



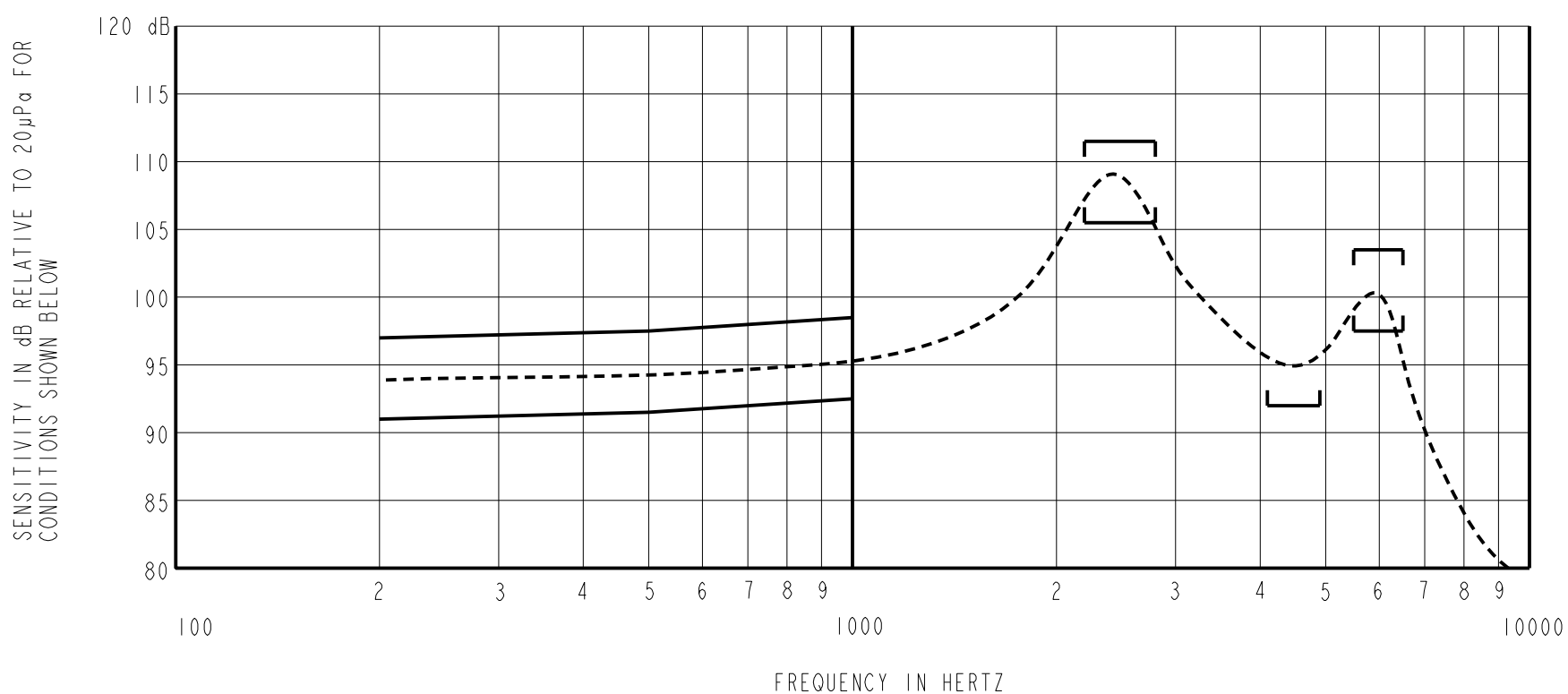
SCALE 2:1  
NOMINAL WEIGHT  
.11 GRAMS

DIMENSIONS IN MILLIMETERS [INCHES]

**KNOWLES ELECTRONICS**  
ITASCA, ILLINOIS U.S.A.

Revision	C.O. #	Implementation Date	RELEASE LEVEL	REVISION
			<b>Active</b>	<b>D</b>
D	C10114032	11-7-12		

SCALE: 5:1		DR. BY DATE
DO NOT SCALE DRAWING		MMM 9-6-05
TITLE: RECEIVER		FK-23451-000
OUTLINE DRAWING		SHT 1.1
		CK. BY DATE
		GJP 9-12-05
		APP. BY DATE
		GJP 9-12-05



**ACOUSTICAL**

SENSITIVITY  
DEVICE PRODUCE THE SPL LISTED BELOW UNDER TEST CONDITIONS IN TABLE 3.  
NOMINAL SENSITIVITY AT 1kHz IS dB RELATIVE TO 20 µPa.

FREQUENCY (Hz)	MINIMUM	NOMINAL	MAXIMUM
200	91.0	94.0	97.0
500	91.5	94.5	97.5
1000	92.5	95.5	98.5
2200-2800	105.5	110.5	115.5
4100-4900	92.0	---	---
5500-6500	97.5	100.5	103.5

PORT LOCATION: 12S

TABLE 1

TOTAL HARMONIC DISTORTION  
DEVICE WILL NOT EXCEED TOTAL HARMONIC DISTORTION LEVELS LISTED BELOW.

FREQUENCY (Hz)	AC DRIVE (mA rms)	DC BIAS (mA)	LIMIT (%)
800	0.5	0	5
2400	1.0	0	10

TABLE 2

**TEST CONDITIONS**

NOMINAL SOURCE VOLTAGE	0.5 mA rms, 0 mA DC BIAS
SOURCE IMPEDANCE	<1 Ohm
TUBING	10mm [.394"] LONG, 1mm [.039"] I.D.
COUPLER CAVITY	2 CM <sup>3</sup> , SIMULATED ANSI S3.7 TYPE HA-3 (IEC 60318-5)

TABLE 3

**ELECTRICAL**

DC RESISTANCE	360 Ohms ± 10%
IMPEDANCE @ 500 Hz	450 Ohms ± 15%
IMPEDANCE @ 1kHz	630 Ohms ± 15%

TABLE 4

ISOLATION: CASE WILL BE ELECTRICALLY ISOLATED FROM THE COIL CIRCUIT.

Revision	C.O. #	Implementation Date	RELEASE LEVEL	REVISION
			<b>Active</b>	<b>D</b>
D	CI0114032	11-7-12		
WHEN TEST LIMITS ARE USED TO ESTABLISH INCOMING INSPECTION ACCEPTANCE/REJECTION CRITERIA, CORRELATION OF TEST EQUIPMENT WITH KNOWLES IS ALSO REQUIRED FOR ELIMINATION OF EQUIPMENT AND TEST METHOD VARIATION				
TITLE: <b>RECEIVER</b>			<b>FK-23451-000</b>	DR. BY DATE MMM 9-6-05
PERFORMANCE SPECIFICATION			<b>SHT 2.1</b>	CK. BY DATE GJP 9-12-05
				APP. BY DATE GJP 9-12-05

**KNOWLES ELECTRONICS**  
ITASCA, ILLINOIS U.S.A.