



Chipsmall Limited consists of a professional team with an average of over 10 year of expertise in the distribution of electronic components. Based in Hongkong, we have already established firm and mutual-benefit business relationships with customers from,Europe,America and south Asia,supplying obsolete and hard-to-find components to meet their specific needs.

With the principle of “Quality Parts,Customers Priority,Honest Operation,and Considerate Service”,our business mainly focus on the distribution of electronic components. Line cards we deal with include Microchip,ALPS,ROHM,Xilinx,Pulse,ON,Everlight and Freescale. Main products comprise IC,Modules,Potentiometer,IC Socket,Relay,Connector.Our parts cover such applications as commercial,industrial, and automotives areas.

We are looking forward to setting up business relationship with you and hope to provide you with the best service and solution. Let us make a better world for our industry!



Contact us

Tel: +86-755-8981 8866 Fax: +86-755-8427 6832

Email & Skype: info@chipsmall.com Web: www.chipsmall.com

Address: A1208, Overseas Decoration Building, #122 Zhenhua RD., Futian, Shenzhen, China

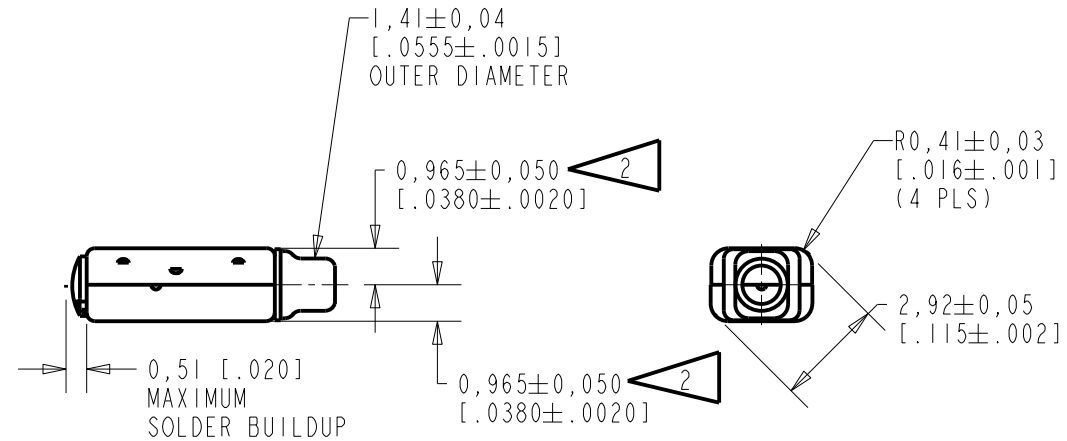
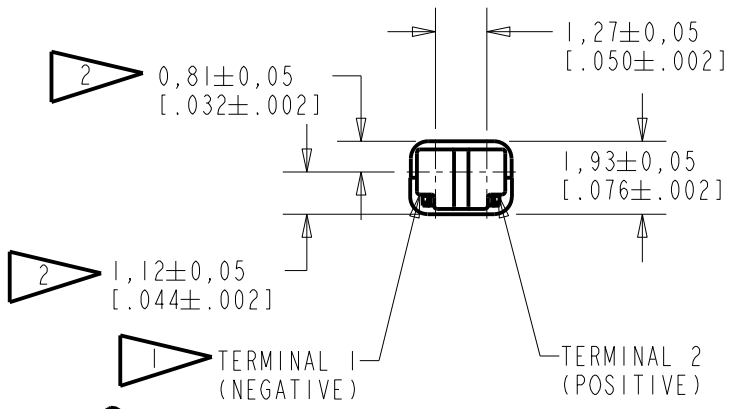
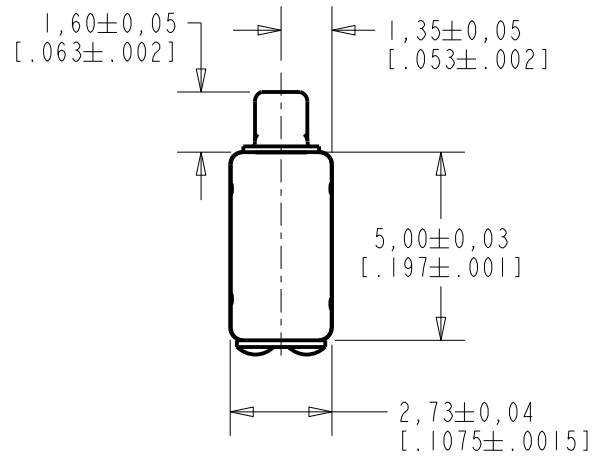


FK-23466-000

SHT 1.1

NOTES:

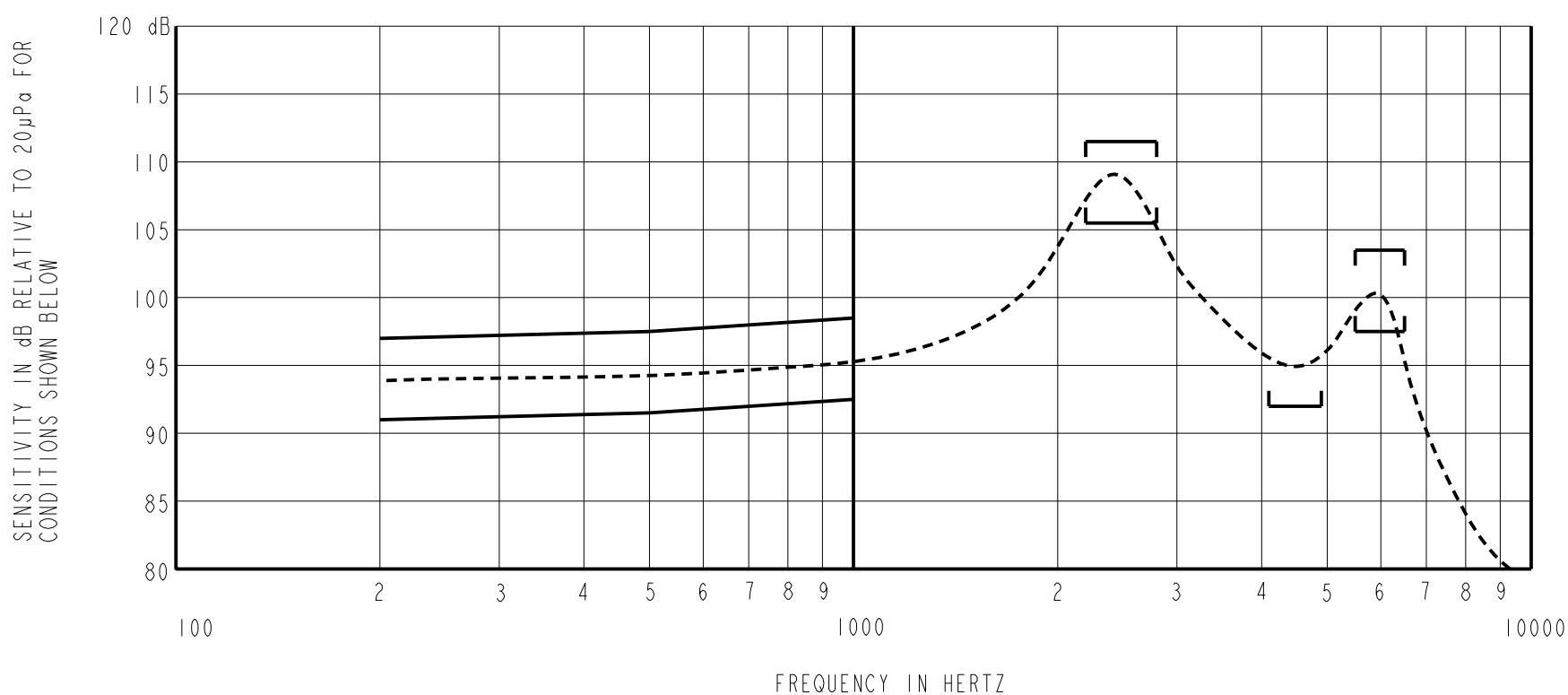
- 1 A POSITIVE GOING VOLTAGE AT TERMINAL 2, RELATIVE TO TERMINAL 1, CAUSES A DECREASE IN PRESSURE AT THE SOUND OUTLET.
- 2 LOCATED FROM TWO SURFACES FOR CUSTOMER CONVENIENCE. ONLY APPLICABLE FROM ONE SURFACE, NOT TO BE USED TOGETHER.



SCALE 2:1
 NOMINAL WEIGHT .11 GRAMS
 DIMENSIONS IN MILLIMETERS [INCHES]

KNOWLES ELECTRONICS
 ITASCA, ILLINOIS U.S.A.

Revision	C.O. #	Implementation Date	RELEASE LEVEL	REVISION
			Active	D
D	C10114032	11-7-12		
SCALE: 5:1				
DO NOT SCALE DRAWING			DR. BY	DATE
TITLE: RECEIVER			MMM	9-6-05
			FK-23466-000	
OUTLINE DRAWING				
			SHT 1.1	



ACOUSTICAL

SENSITIVITY
DEVICE PRODUCE THE SPL LISTED BELOW UNDER TEST CONDITIONS IN TABLE 3.
NOMINAL SENSITIVITY AT 1kHz IS dB RELATIVE TO 20 µPa.

FREQUENCY (Hz)	MINIMUM	NOMINAL	MAXIMUM
200	91.0	94.0	97.0
500	91.5	94.5	97.5
1000	92.5	95.5	98.5
2200-2800	105.5	110.5	115.5
4100-4900	92.0	---	---
5500-6500	97.5	100.5	103.5

PORT LOCATION: 12S

TABLE 1

TOTAL HARMONIC DISTORTION
DEVICE WILL NOT EXCEED TOTAL HARMONIC DISTORTION LEVELS LISTED BELOW.

FREQUENCY (Hz)	AC DRIVE (mA rms)	DC BIAS (mA)	LIMIT (%)
800	0.5	0	5
2400	1.0	0	10

TABLE 2

TEST CONDITIONS

NOMINAL SOURCE VOLTAGE	0.5 mA rms, 0.71 mA DC BIAS
SOURCE IMPEDANCE	<1 Ohm
TUBING	10mm [.394"] LONG, 1mm [.039"] I.D.
COUPLER CAVITY	2 CM ³ , SIMULATED ANSI S3.7 TYPE HA-3 (IEC 60318-5)

TABLE 3

ELECTRICAL

DC RESISTANCE	360 Ohms ± 10%
IMPEDANCE @ 500 Hz	450 Ohms ± 15%
IMPEDANCE @ 1kHz	630 Ohms ± 15%

TABLE 4

ISOLATION: CASE WILL BE ELECTRICALLY ISOLATED FROM THE COIL CIRCUIT.

Revision	C.O. #	Implementation Date	RELEASE LEVEL	REVISION
			Active	D
D	CI0114032	11-7-12		
WHEN TEST LIMITS ARE USED TO ESTABLISH INCOMING INSPECTION ACCEPTANCE/REJECTION CRITERIA, CORRELATION OF TEST EQUIPMENT WITH KNOWLES IS ALSO REQUIRED FOR ELIMINATION OF EQUIPMENT AND TEST METHOD VARIATION				
TITLE: RECEIVER			FK-23466-000	DR. BY DATE MMM 9-6-05
PERFORMANCE SPECIFICATION			SHT 2.1	CK. BY DATE GJP 9-12-05
				APP. BY DATE GJP 9-12-05

KNOWLES ELECTRONICS
ITASCA, ILLINOIS U.S.A.