



Chipsmall Limited consists of a professional team with an average of over 10 year of expertise in the distribution of electronic components. Based in Hongkong, we have already established firm and mutual-benefit business relationships with customers from,Europe,America and south Asia,supplying obsolete and hard-to-find components to meet their specific needs.

With the principle of “Quality Parts,Customers Priority,Honest Operation,and Considerate Service”,our business mainly focus on the distribution of electronic components. Line cards we deal with include Microchip,ALPS,ROHM,Xilinx,Pulse,ON,Everlight and Freescale. Main products comprise IC,Modules,Potentiometer,IC Socket,Relay,Connector.Our parts cover such applications as commercial,industrial, and automotives areas.

We are looking forward to setting up business relationship with you and hope to provide you with the best service and solution. Let us make a better world for our industry!



## Contact us

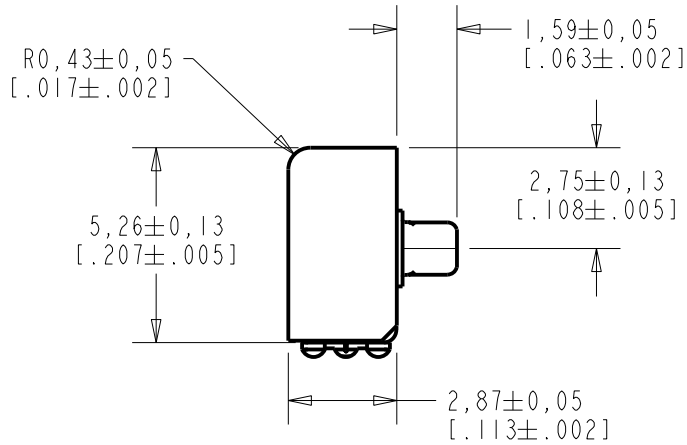
Tel: +86-755-8981 8866 Fax: +86-755-8427 6832

Email & Skype: info@chipsmall.com Web: www.chipsmall.com

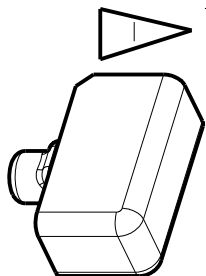
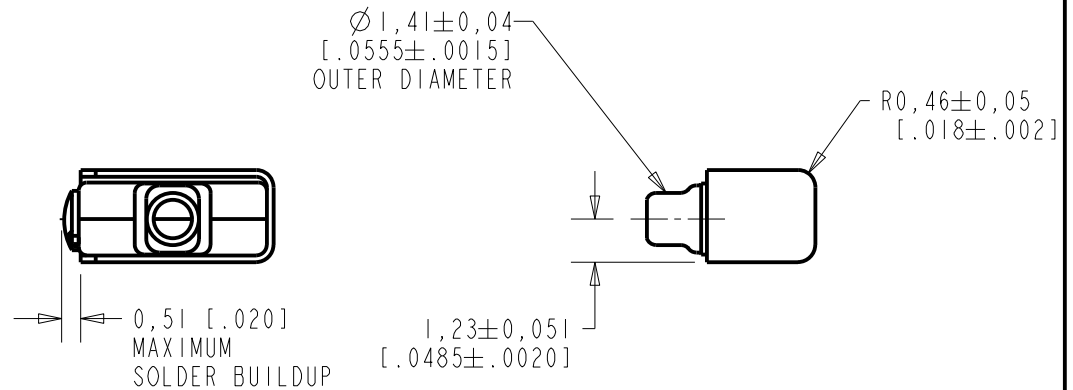
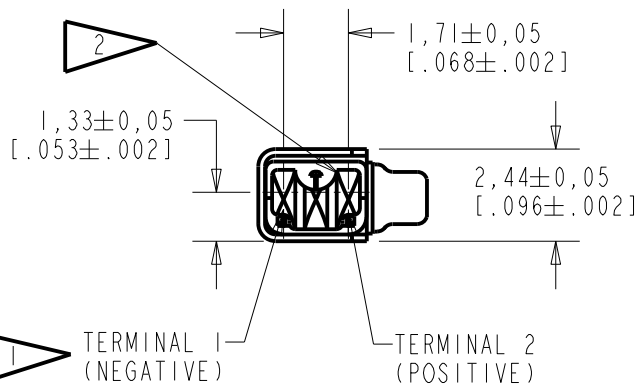
Address: A1208, Overseas Decoration Building, #122 Zhenhua RD., Futian, Shenzhen, China



**FK-26889-000**  
SHT 1.1



- NOTES:
- 1 A POSITIVE GOING VOLTAGE AT TERMINAL 2, RELATIVE TO TERMINAL 1, CAUSES A DECREASE IN PRESSURE AT THE SOUND OUTLET.
  - 2 TERMINAL ELECTRICALLY CONNECTED TO CASE.



NOMINAL WEIGHT  
.12 GRAMS

DIMENSIONS IN MILLIMETERS [INCHES]

**KNOWLES ELECTRONICS**  
ITASCA, ILLINOIS U.S.A.

Revision	C.O. #	Implementation Date	RELEASE LEVEL	REVISION
E	C10114032	11-8-12	<b>Active</b>	<b>E</b>
D	C10111937	12-31-10		

SCALE:	<b>5:1</b>	DR. BY	DATE
DO NOT SCALE DRAWING		MMM	7-31-06
TITLE:	<b>RECEIVER</b>	CK. BY	DATE
	OUTLINE DRAWING	GJP	8-4-06
		APP. BY	DATE
		GJP	8-4-06

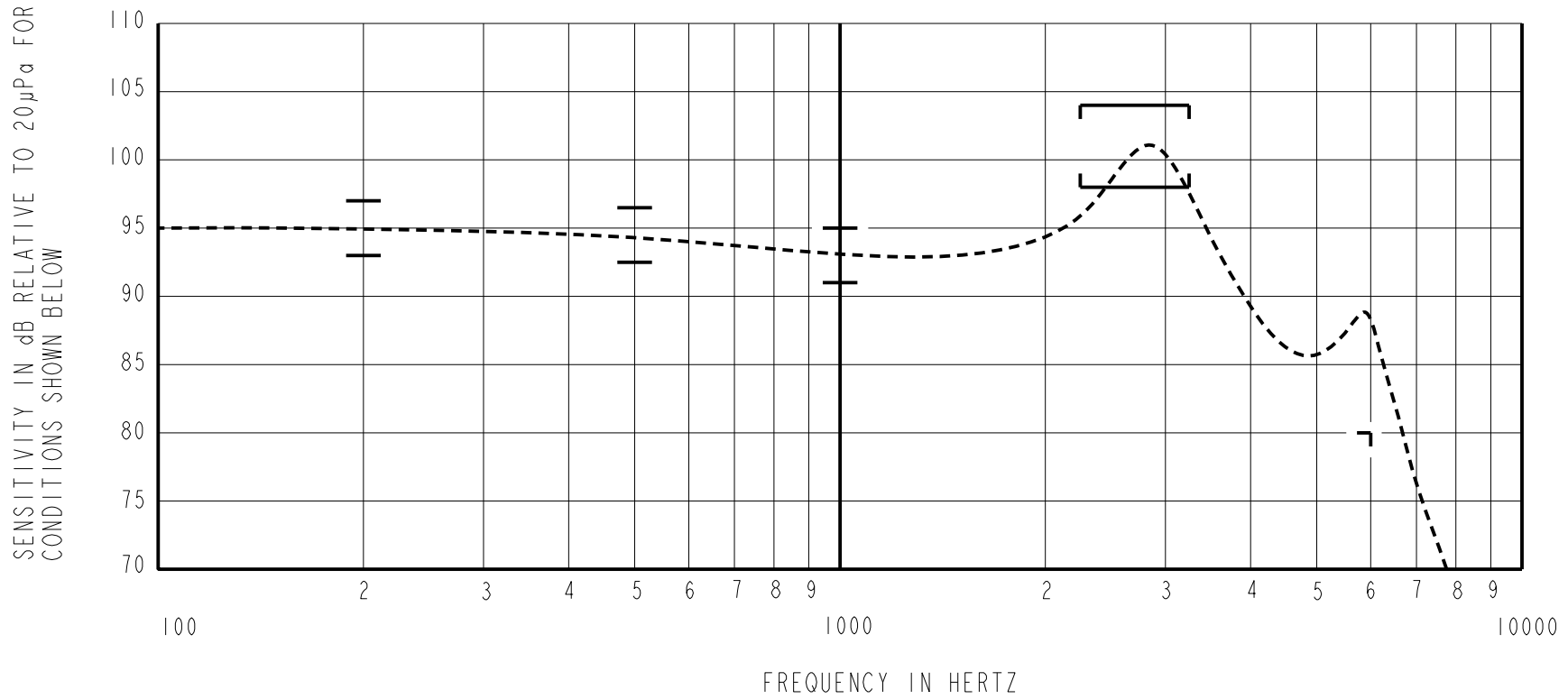
**FK-26889-000**  
SHT 1.1

THE FK-26889-000 IS AN UNDAMPED MAGNETIC BALANCED ARMATURE RECEIVER INTENDED FOR USE IN CIC HEARING INSTRUMENTS. THIS MODEL HAS HIGH PERMEABILITY CUP, COVER, & SHIELD TO REDUCE MAGNETIC RADIATION, AND HAS THE CENTER TERMINAL ELECTRICALLY CONNECTED TO CASE.

NO DAMPING

FK-26889-000  
SHEET 2.1

CONSTANT VOLTAGE DRIVE CONDITIONS



**ACOUSTICAL**

**SENSITIVITY**  
DEVICE WILL PRODUCE THE SPL LISTED BELOW UNDER TEST CONDITIONS DESCRIBED IN TABLE 3.  
NOMINAL SENSITIVITY AT 1kHz IS dB RELATIVE TO 20µPa. ALL OTHER VALUES IN dB RELATIVE TO THE SENSITIVITY AT 1kHz.

FREQUENCY (Hz)	MINIMUM	NOMINAL	MAXIMUM
200	0.0	+2.0	+4.0
500	-0.5	+1.5	+3.5
1000	-2.0	93.0	+2.0
2250 - 3250	+5.0	+8.0	+11.0
6000	80.0	---	---

TABLE 1

**TOTAL HARMONIC DISTORTION**  
DEVICE WILL NOT EXCEED TOTAL HARMONIC DISTORTION LEVELS LISTED BELOW.

FREQUENCY (Hz)	AC DRIVE (V rms)	DC BIAS (mA)	LIMIT (%)
920	0.367	0	5
1380	0.367	0	5
920	1.04	0	10

TABLE 2

**TEST CONDITIONS**

NOMINAL SOURCE VOLTAGE	0.367 V rms, 0 mA DC BIAS
SOURCE IMPEDANCE	<1 Ohm
TUBING	10mm [.394"] LONG, 1mm [.039"] I.D.
COUPLER CAVITY	2 CM <sup>3</sup> , SIMULATED ANSI S3.7 TYPE HA-3 (IEC-60318-5)

TABLE 3

**ELECTRICAL**

DC RESISTANCE	580 Ohms ± 10%
IMPEDANCE @ 500 Hz	690 Ohms ± 15%
IMPEDANCE @ 1kHz	940 Ohms ± 15%

TABLE 4

ISOLATION: CASE WILL BE ELECTRICALLY ISOLATED FROM THE COIL CIRCUIT.

**MECHANICAL**

PORT LOCATION: 3S  
SOLDER TYPE: SAC305

**TEMPERATURE**

OPERATURE: SENSITIVITY WILL NOT VARY MORE THAN +1/-3 dB FROM -17°C TO 63°C.  
STORAGE: -40°C TO 63°C.

**KNOWLES ELECTRONICS**  
ITASCA, ILLINOIS U.S.A.

Revision	C.O. #	Implementation Date	RELEASE LEVEL	REVISION
E	C10114032	11-8-12	<b>Active</b>	<b>E</b>
D	C10111937	12-31-10		
WHEN TEST LIMITS ARE USED TO ESTABLISH INCOMING INSPECTION ACCEPTANCE/REJECTION CRITERIA, CORRELATION OF TEST EQUIPMENT WITH KNOWLES IS ALSO REQUIRED FOR ELIMINATION OF EQUIPMENT AND TEST METHOD VARIATION			DR. BY	DATE
TITLE: <b>RECEIVER</b> PERFORMANCE SPECIFICATION			MMM	7-31-06
			FK-26889-000	
SHT 2.1			CK. BY	DATE
			GJP	8-4-06
			APP. BY	DATE
			GJP	8-4-06