



Chipsmall Limited consists of a professional team with an average of over 10 year of expertise in the distribution of electronic components. Based in Hongkong, we have already established firm and mutual-benefit business relationships with customers from,Europe,America and south Asia,supplying obsolete and hard-to-find components to meet their specific needs.

With the principle of “Quality Parts,Customers Priority,Honest Operation,and Considerate Service”,our business mainly focus on the distribution of electronic components. Line cards we deal with include Microchip,ALPS,ROHM,Xilinx,Pulse,ON,Everlight and Freescale. Main products comprise IC,Modules,Potentiometer,IC Socket,Relay,Connector.Our parts cover such applications as commercial,industrial, and automotives areas.

We are looking forward to setting up business relationship with you and hope to provide you with the best service and solution. Let us make a better world for our industry!



Contact us

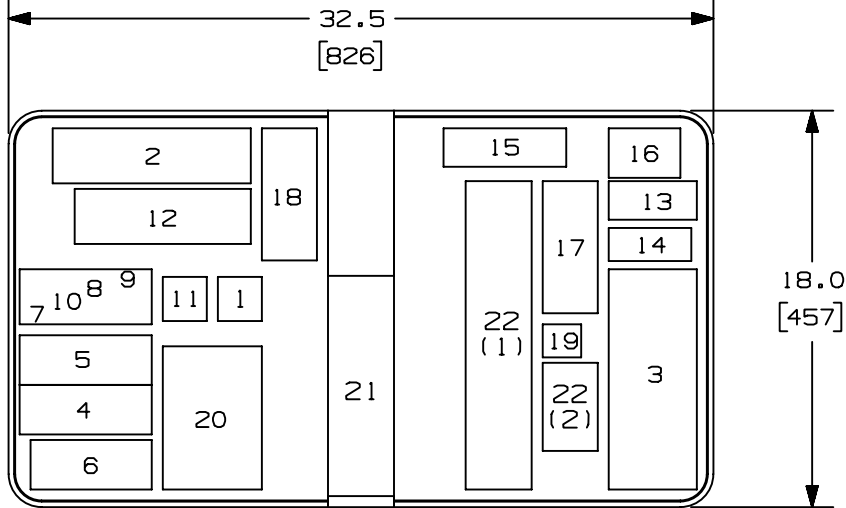
Tel: +86-755-8981 8866 Fax: +86-755-8427 6832

Email & Skype: info@chipsmall.com Web: www.chipsmall.com

Address: A1208, Overseas Decoration Building, #122 Zhenhua RD., Futian, Shenzhen, China

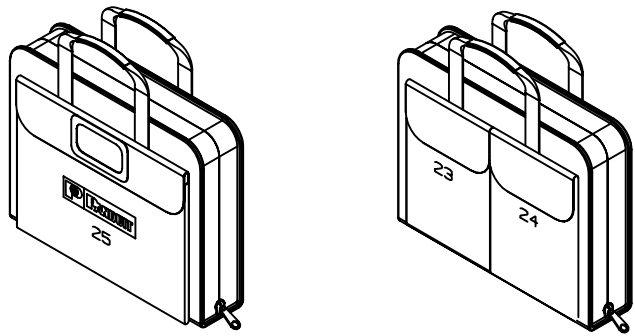
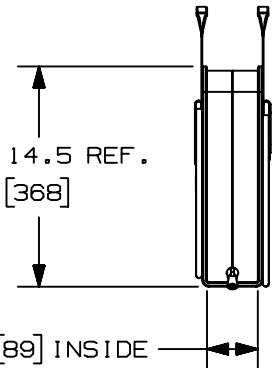



THIS COPY IS PROVIDED ON A RESTRICTED BASIS AND IS NOT TO BE USED IN ANY WAY DETRIMENTAL TO THE INTERESTS OF PANDUIT CORP.



PANDUIT PART NUMBER	DESCRIPTION
FKITCASE	FIBER OPTIC KIT UNIVERSAL CARRYING CASE

- NOTES:
- CASE IS CONSTRUCTED OF RUGGED BLACK CANVAS.
 - ALL DIMENSIONS IN BRACKETS ARE METRIC [mm].
 - SEE CURRENT CATALOG FOR ADDITIONAL INFORMATION PERTAINING TO THIS PRODUCT.
 - SEE SHEET 2 FOR TOOL PLACEMENT IN CARRYING CASE.
 - TOOLS NOT INCLUDED.



							FIBER OPTIC KIT UNIVERSAL CARRYING CASE CUSTOMER DRAWING		
							 PANDUIT ™ CORP. TINLEY PARK, ILL 60477		
							ALL DIMENSIONS ARE GIVEN IN INCHES, UNLESS OTHERWISE SPECIFIED. DIMENSIONAL TOLERANCES ARE: (.X) (.XXX) ± .010 (0.3) (.XX) ± .03 (0.8) ANGLES		DRAWING FILENAME MO1893BE_DC_00A.prt
							THIRD ANGLE PROJECTION		SCALE NONE
							DRAWN BY MC		REVIEW DRAWING NUMBERS
							DATE 12-13-04		PART NO. FKITCASE
							CHK'D		DRAWING NO. 01893-15
							R 12-21-04 MC		SIZE A
							RELEASED TO PRODUCTION		SHT. 1 of 2
REV	DATE	BY	CHK	DESCRIPTION	ECN	R	CUST	SUP	OTH

THIS COPY IS PROVIDED ON A RESTRICTED BASIS AND IS NOT TO BE USED IN ANY WAY DETRIMENTAL TO THE INTERESTS OF PANDUIT CORP.

FKITCASE - FIBER OPTIC UNIVERSAL KIT CARRY CASE - TOOL PLACEMENT

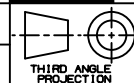
NOTE! NOT ALL ITEMS LISTED BELOW ARE INCLUDED IN EACH KIT OFFERED BY PANDUIT

POCKET	PANDUIT P/N	DESCRIPTION	POCKET	PANDUIT P/N	DESCRIPTION
1	FJPKGU	2.5mm UNIVERSAL POLISHING PUCK	20 (CON'T)	FPWIRE	PIANO WIRE
2	FCRP5	UNIVERSAL CRIMP TOOL (HEX SIZES: .048", .100", .128", .151", .190")		FSWB	CLEANING SWABS
3	FSCOPE	200x MICROSCOPE	21	OCTT	OPTI-CAM TERMINATION TOOL
4	CST115	FIBER CABLE JACKET STRIPPER	22	FHSCT	HEAT SHRINK TOOL (TOOL IN POCKET 22-1, CORD IN POCKET 22-2)
5	FKS	ARIMID YARN SHEARS	23	FPAD	70 DUROMETER POLISHING PAD
6	FBFSP	FIBER BUFFER STRIPPER		FLCPAD	85 DUROMETER POLISHING PAD
7	FTWEEZR	TWEEZERS		FWIPES	LINT-FREE WIPES
8	FSCDVR	SCREWDRIVER		FST	FIBER SAFETY TAB STICKERS
9	FSCRIBE	CARBIDE SCRIBE		FPP5	5um Al2O3 POLISHING FILM
10	PFX-0	FINE-TIP MARKING PEN		FPF1	1um DIAMOND POLISHING FILM
11	FLCPK	LC POLISHING PUCK		FPP1	1um Al2O3 POLISHING FILM
12	FLPT	CRIMP TOOL FOR POT AND POLISH CONNECTORS		FLCFPLF	0.05um LAPPING FILM
13	FJPMR	ANAEROBIC ADHESIVE PRIMER		N/A	STRIPPING TEMPLATES
14	FJPHY	ANAEROBIC ADHESIVE		24	FVLPC-2.5SM
15	FWTRBTL	WATER BOTTLE	FVLPC-1.25SM		VFL SM 1.25mm UNIVERSAL PATCH CORD
16	FALCBTL	ALCOHOL BOTTLE	FVFLPC		VFL 50um 2.50mm UNIVERSAL PATCH CORD
17	FGLASS	SAFETY GLASSES	25	FWRKMAT	FIBER SAFE WORK MAT
18	FJQCVR	FIBER CLEAVER TOOL		LJSL4-Y3-2.5	CABLE LABELS
19	N/A	EYE LOUPE		N/A	INSTRUCTION SHEETS
20	FSYR	SYRINGES			
	FNTIP	NEEDLE TIPS FOR SYRINGE			

FIBER OPTIC KIT
UNIVERSAL CARRYING CASE
CUSTOMER DRAWING



PANDUIT™
CORP.
TINLEY PARK, ILL 60477



THIRD ANGLE
PROJECTION
DRAWN BY MC

ALL DIMENSIONS ARE GIVEN IN INCHES,
UNLESS OTHERWISE SPECIFIED,
DIMENSIONAL TOLERANCES ARE:
(.X) (.XXX)±
(.XX)± ANGLES

DRAWING FILENAME
MO1893BE_DC_00A.prt

SCALE
NONE

PART NO.
FKITCASE

DRAWING NO.

01893-15
SHT. 2 of 2

SIZE
A

REV	DATE	BY	CHK	DESCRIPTION	ECN	R	CUST	SUP	OTH
R	12-21-04	MC		REFER TO 01893-15, SHEET 1	01893-15				

DATE
12-13-04

CHK'D