



Chipsmall Limited consists of a professional team with an average of over 10 year of expertise in the distribution of electronic components. Based in Hongkong, we have already established firm and mutual-benefit business relationships with customers from,Europe,America and south Asia,supplying obsolete and hard-to-find components to meet their specific needs.

With the principle of “Quality Parts,Customers Priority,Honest Operation,and Considerate Service”,our business mainly focus on the distribution of electronic components. Line cards we deal with include Microchip,ALPS,ROHM,Xilinx,Pulse,ON,Everlight and Freescale. Main products comprise IC,Modules,Potentiometer,IC Socket,Relay,Connector.Our parts cover such applications as commercial,industrial, and automotives areas.

We are looking forward to setting up business relationship with you and hope to provide you with the best service and solution. Let us make a better world for our industry!



Contact us

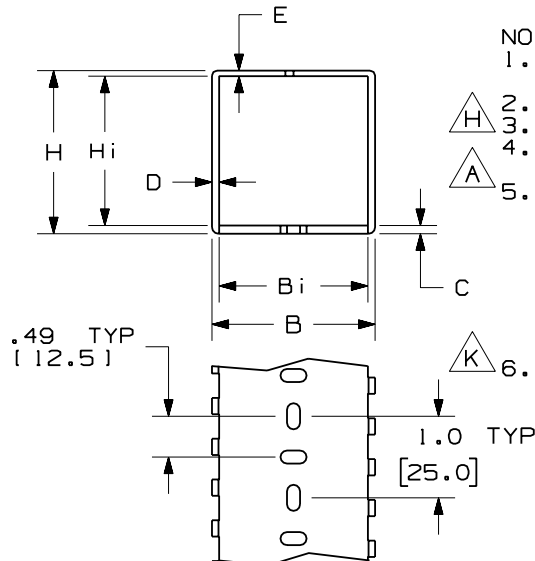
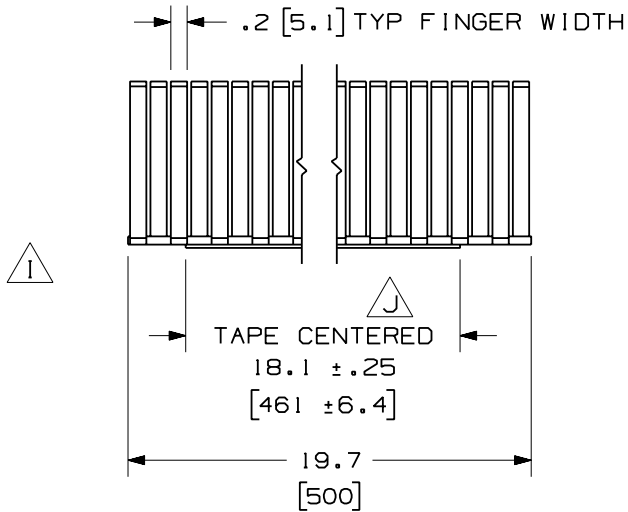
Tel: +86-755-8981 8866 Fax: +86-755-8427 6832

Email & Skype: info@chipsmall.com Web: www.chipsmall.com

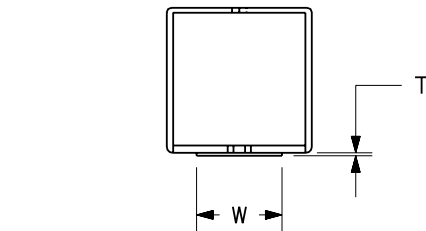
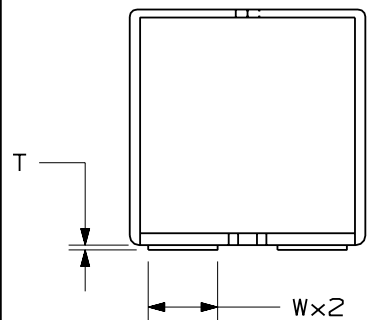
Address: A1208, Overseas Decoration Building, #122 Zhenhua RD., Futian, Shenzhen, China



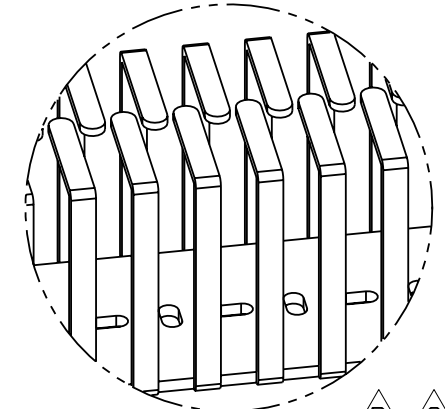
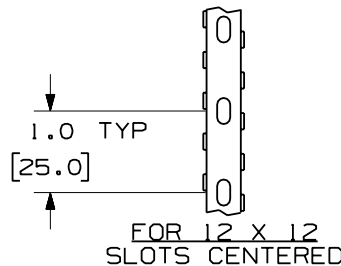
THIS COPY IS PROVIDED ON A RESTRICTED BASIS AND IS NOT TO BE USED IN ANY WAY DETRIMENTAL TO THE INTERESTS OF PANDUIT CORP.



- NOTES:
1. DIMENSIONS IN PARENTHESES ARE IN METRIC.
 2. COLOR: LIGHT GREY
 3. "T" DIMENSION IS REFERENCE ONLY.
 4. MOUNTING HOLE SLOT DIMENSIONS: .16 (4.0) X .31 (8.0) - TYP.
 5. NO WARRANTY, EXPRESSED OR IMPLIED, IS MADE BY PANDUIT WITH THE RESPECT TO ADHESIVE BOND PERFORMANCE. AMONG OTHER THINGS, THE CONDITIONS UNDER WHICH THESE DUCTS MAY BE APPLIED AND/OR THE SURFACE TO WHICH THEY MAY BE APPLIED ARE BEYOND PANDUIT'S CONTROL.
 6. ONE COMPLETE MOUNTING HOLE ON BOTH ENDS OF DUCT WILL NOT BE COVERED BY TAPE.



FOR 25 X 25 & 50 X 50 SLOTS CENTERED



H FL50X50LG-A 2 STRIPS OF TAPE
J FL12X12LG-A & FL25X25LG-A TAPE CENTERED

CAD FILENAME/LAYERS D38086BC_DC_FL50X50_00G.prt

--	-----	---	---	K. ADDED NOTE ABOUT TAPE LOCATION	-----	---	---		
6	4-4-06	JCST	JKG	J. ADDED DIMENSION I. CHANGED VIEW: ADDED TAPE	38086-03	JKG	JKG		
5	4-13-05	JCST	JKG	H. CHANGED PART # (COLOR CHANGE - WAS GR-GRAY/GREEN) G. CHANGED MATERIAL	38086-03	HIW	HIW		
4	7-26-04	JCST	JKG	F. CHANGED MATERIAL AND TITLE	38086-03	HIW	HIW		
3	3-29-04	JCST	JKG	E. REMOVED PARTS FROM CHART	38086-03	HIW	HIW		
2	2-27-02	JCST	JKG	D. CHANGED VIEWS AND DIMENSIONS C. ADDED SHEET 2	38086-03	RTF	RTF		
1	8-10-01	JCST	JKG	B. CHANGED TAPE DIMENSION FOR 12X12 DUCT A. ADDED BOTTOM VIEWS AND NOTE 4 & 5	38086-03	RTF	RTF		
R	4-10-01	JCST	JKG	RELEASED TO PRODUCTION	38086-03	HIW	HIW		
REV	DATE	BY	CHK	DESCRIPTION	ECN	R	CUST	SUP	

PANDUIT CORP. TINLEY PARK, ILLINOIS

FLEXIBLE DUCT
 SIZES: 12.5mm, 25mm, 50mm
 CUSTOMER DRAWING **F**

UNLESS OTHERWISE SPECIFIED, DIMENSIONAL TOLERANCES ARE:
 (.X) ± .04 (1.0) (.XXX) ± (.XX) ± .03 (.8) ANGLES ±

UNLESS OTHERWISE SPECIFIED, ALL DIMENSIONS ARE GIVEN IN INCHES, THIRD ANGLE PROJECTION.

SCALE NONE

DRAWN BY JCST MAT'L; POLYPROPYLENE

DATE 4-10-01

CHK'D JKG

DWG 38086-03 SHT. 1 OF 2

SIZE **A**

THIS COPY IS PROVIDED ON A RESTRICTED BASIS AND IS NOT TO BE USED IN ANY WAY DETRIMENTAL TO THE INTERESTS OF PANDUIT CORP.

\triangle E \triangle H

\triangle D

\triangle B

PANDUIT P/N	B x H	Bi x Hi	C	D	E	TAPE QTY. W x T	WEIGHT	PKG. QTY.
FL12X12LG-A	.5 X .5 (12.5 X 12.5)	.4 X .4 (10.3 X 10.6)	.04 (1.1)	.04 (1.0)	.04 (0.9)	1 .24 (6) x .04 (1)	0.03LB/ea 12.3g/ea	112
FL25X25LG-A	1.0 X 1.0 (25 X 25)	.9 X .9 (21.8 X 22.3)	.06 (1.6)	.06 (1.5)	.05 (1.2)	1 .58 (15) x .04 (1)	0.07LB/ea 33.3g/ea	70
FL50X50LG-A	2.0 X 2.0 (50 X 50)	1.8 X 1.8 (45.0 X 46.1)	.10 (2.5)	.09 (2.2)	.07 (1.7)	2 .58 (15) x .04 (1)	0.23LB/ea 103.3g/ea	32

\triangle C

CAD FILENAME/LAYERS D38086BC_DC_FL50X50_00G.PRT

REV	DATE	BY	CHK	DESCRIPTION	ECN	CHK	CUST	SUP
6	4-4-06	JCST	JKG	SEE SHEET # 1	38086-03	JKG	JKG	
5	4-13-05	JCST	JKG	SEE SHEET # 1	38086-03	HIW	HIW	
4	7-26-04	JCST	JKG	SEE SHEET # 1	38086-03	HIW	HIW	
3	3-29-04	JCST	JKG	SEE SHEET # 1	38086-03	HIW	HIW	
2	2-27-02	JCST	JKG	SEE SHEET # 1	38086-03	RTF	RTF	
1	8-10-01	JCST	--	SEE SHEET # 1	38086-03	--	--	
R	4-10-01	JCST	--	SEE SHEET # 1	38086-03	--	--	

PANDUIT CORP. TINLEY PARK, ILLINOIS

FLEXIBLE DUCT
SIZES: 12.5mm, 25mm, 50mm \triangle F
CUSTOMER DRAWING

UNLESS OTHERWISE SPECIFIED,
DIMENSIONAL TOLERANCES ARE:
(.X) ± .04 (1.0) (.XXX) ±
(.XX) ± .03 (.8) ANGLES ±

UNLESS OTHERWISE SPECIFIED,
ALL DIMENSIONS ARE GIVEN
IN INCHES, THIRD ANGLE PROJECTION.

DRAWN BY JCST

MAT'L:

SCALE NONE

DATE 4-10-01

POLYPROPYLENE

DRAWING NO. 38086-03

DWG A

CHK'D JKG

\triangle G \triangle F

SHT. 2 OF 2

SIZE