



Chipsmall Limited consists of a professional team with an average of over 10 year of expertise in the distribution of electronic components. Based in Hongkong, we have already established firm and mutual-benefit business relationships with customers from,Europe,America and south Asia,supplying obsolete and hard-to-find components to meet their specific needs.

With the principle of “Quality Parts,Customers Priority,Honest Operation,and Considerate Service”,our business mainly focus on the distribution of electronic components. Line cards we deal with include Microchip,ALPS,ROHM,Xilinx,Pulse,ON,Everlight and Freescale. Main products comprise IC,Modules,Potentiometer,IC Socket,Relay,Connector.Our parts cover such applications as commercial,industrial, and automotives areas.

We are looking forward to setting up business relationship with you and hope to provide you with the best service and solution. Let us make a better world for our industry!



## Contact us

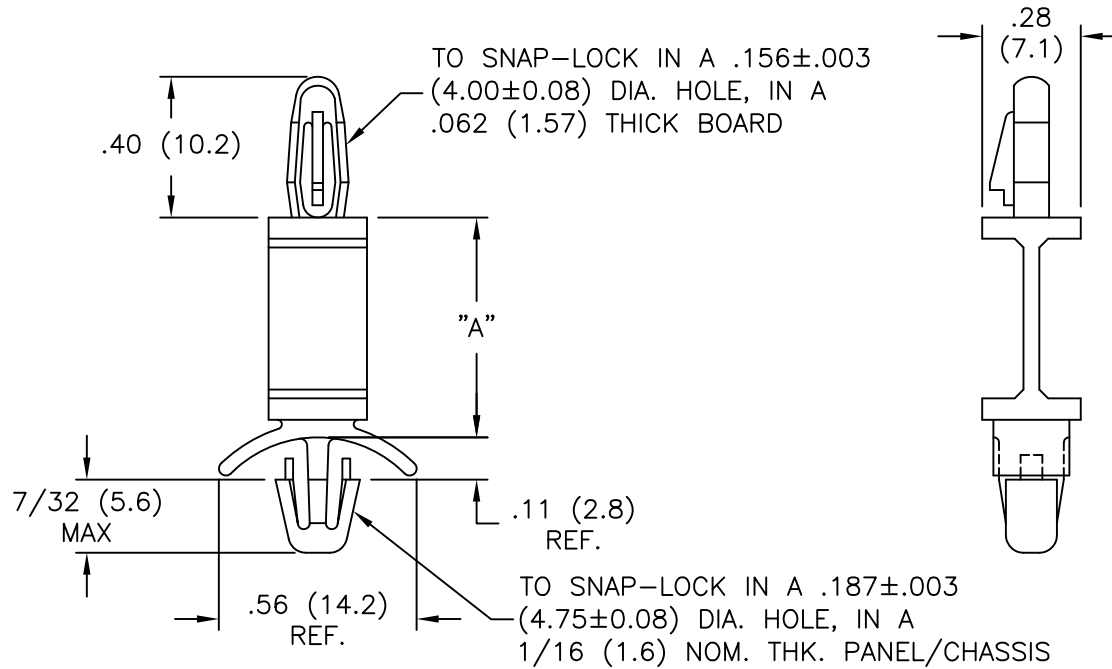
Tel: +86-755-8981 8866 Fax: +86-755-8427 6832

Email & Skype: info@chipsmall.com Web: www.chipsmall.com

Address: A1208, Overseas Decoration Building, #122 Zhenhua RD., Futian, Shenzhen, China



PART NO.	DIM. "A"
FLCBS-6-01	3/8 (9.5)
FLCBS-7-01	7/16 (11.1)
FLCBS-8-01	1/2 (12.7)
FLCBS-10-01	5/8 (15.9)
FLCBS-12-01	3/4 (19.1)
FLCBS-14-01	7/8 (22.2)
FLCBS-16-01	1 (25.4)
FLCBS-18-01	1-1/8 (28.6)
FLCBS-20-01	1-1/4 (31.8)
FLCBS-22-01	1-3/8 (34.9)



NOTES:

- MAT'L: NYLON 6/6 (RMS-01).  
FLAME RETARDANT, NYLON 6/6 (RMS-19),  
AVAILABLE BY SPECIAL ORDER-NAFTA REGION ONLY.
- COLOR: NATURAL.

REV	DESCRIPTION	ENGR DATE	TITLE:	FILE #	DWN:	APP:	PART #	PRINT TYPE
G	SEE CO 200600 FOR CHANGES	SK 11.30.10	FLEXIBLE CIRCUIT BOARD SUPPORT	FLCBS	S.K.		SEE TABLE	CA
F	SEE CO 200598 FOR CHANGES	SK 11.19.10		MAT'L: SEE NOTES	DT: 12.04.08	DT:		
E	SEE CO 200596 FOR CHANGES	SK 11.09.10	TOLERANCES UNLESS NOTED .XX=±.010 .XXX=±.005 FRAC=±1/64 ANG=±1°	RE: RICHCO, INC.	RICHCO INC. PO BOX 804238, CHICAGO, 60680 (773) 539-4060			
D	SEE CO 200288 FOR CHANGES	SK 12.04.08						
C	SEE ECN #862 FOR CHANGES	SM 10.04.04						
B	CHANGED FILE NO. AND TITLE BLOCK	SM 05.14.02						
A	MAT'L RMS-19 ADDED	J.L. 12.10.97						
REV	DESCRIPTION	ENGR DATE						