



Chipsmall Limited consists of a professional team with an average of over 10 year of expertise in the distribution of electronic components. Based in Hongkong, we have already established firm and mutual-benefit business relationships with customers from,Europe,America and south Asia,supplying obsolete and hard-to-find components to meet their specific needs.

With the principle of “Quality Parts,Customers Priority,Honest Operation,and Considerate Service”,our business mainly focus on the distribution of electronic components. Line cards we deal with include Microchip,ALPS,ROHM,Xilinx,Pulse,ON,Everlight and Freescale. Main products comprise IC,Modules,Potentiometer,IC Socket,Relay,Connector.Our parts cover such applications as commercial,industrial, and automotives areas.

We are looking forward to setting up business relationship with you and hope to provide you with the best service and solution. Let us make a better world for our industry!



Contact us

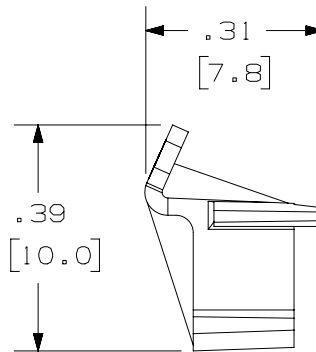
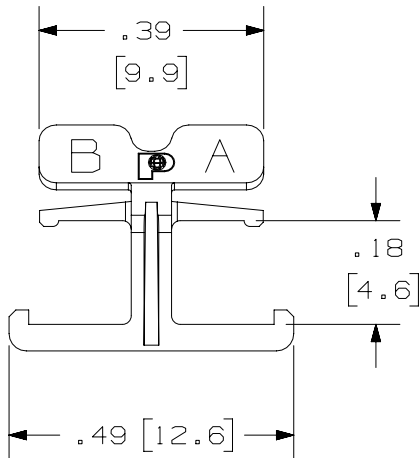
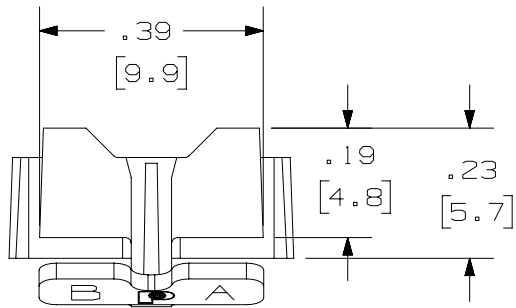
Tel: +86-755-8981 8866 Fax: +86-755-8427 6832

Email & Skype: info@chipsmall.com Web: www.chipsmall.com

Address: A1208, Overseas Decoration Building, #122 Zhenhua RD., Futian, Shenzhen, China



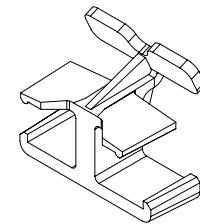
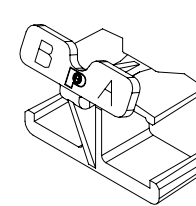
THIS COPY IS PROVIDED ON A RESTRICTED BASIS AND IS NOT TO BE USED IN ANY WAY DETRIMENTAL TO THE INTERESTS OF PANDUIT CORP.



PANDUIT PART NUMBER	WEIGHT
FLCCLIP-L	.022 lb/50 Pcs [9.81 g/50 Pcs.]

NOTES:

1. SEE CURRENT CATALOG FOR ADDITIONAL PART NUMBER SUFFIXES TO INDICATE COLOR AND OR PACKAGE QUANTITY.
2. SEE CATALOG FOR COMPLETE LIST OF PARTS APPLICABLE FOR USE WITH THIS PART.
3. MATERIAL: PLASTIC
4. ALL MATERIALS AND COMPONENTS USED MEET THE MATERIAL RESTRICTIONS OF RoHS, (EUROPEAN DIRECTIVE 2002/95/EC ON THE RESTRICTION OF HAZARDOUS SUBSTANCES) AS PROPOSED BY THE RoHS TECHNICAL ADAPTATION COMMITTEE.
5. DIMENSIONS IN [] ARE METRIC.



PART NUMBER		FLCCLIP-L	
TITLE		LC CONNECTOR DUPLEX CLIP	
CUSTOMER DRAWING			
ITEM REVISION NAME		M01371CL/01	PANDUIT
DATASET FILE NAME		M01371CL_DC/01C	
UNLESS OTHERWISE SPECIFIED, DIMENSIONAL TOLERANCES ARE: IN [mm]		MATERIAL:	
.X ±	.XXX ±	DRAWING NUMBER: 01371-55	
.XX ±	ANGLES ±		
THIRD ANGLE PROJECTION		DRAWING NUMBER: 01371-55	
DRAWN BY	DATE	CHK	SCALE
MC	07-26-07		NONE
DESCRIPTION		SHT 1 OF 1	
REV	DATE	BY	SIZE
			A

1	5/19/15	JSP	WJM	RWB	A. REVISED DRAWING TITLE BLOCK.	01371-55
REV	DATE	BY	CHK	APR	DESCRIPTION	ECN

D101000DA/14