



Chipsmall Limited consists of a professional team with an average of over 10 year of expertise in the distribution of electronic components. Based in Hongkong, we have already established firm and mutual-benefit business relationships with customers from,Europe,America and south Asia,supplying obsolete and hard-to-find components to meet their specific needs.

With the principle of “Quality Parts,Customers Priority,Honest Operation,and Considerate Service”,our business mainly focus on the distribution of electronic components. Line cards we deal with include Microchip,ALPS,ROHM,Xilinx,Pulse,ON,Everlight and Freescale. Main products comprise IC,Modules,Potentiometer,IC Socket,Relay,Connector.Our parts cover such applications as commercial,industrial, and automotives areas.

We are looking forward to setting up business relationship with you and hope to provide you with the best service and solution. Let us make a better world for our industry!



Contact us

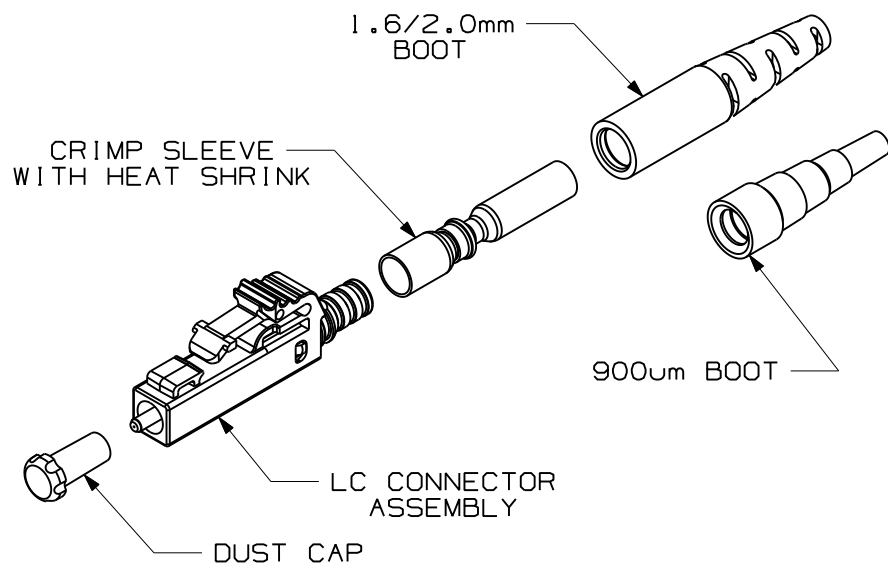
Tel: +86-755-8981 8866 Fax: +86-755-8427 6832

Email & Skype: info@chipsmall.com Web: www.chipsmall.com

Address: A1208, Overseas Decoration Building, #122 Zhenhua RD., Futian, Shenzhen, China



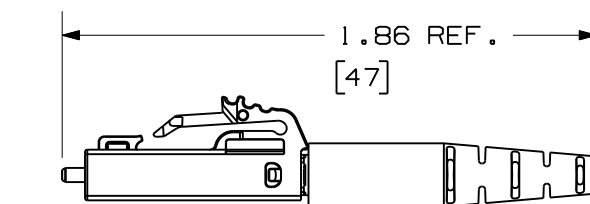
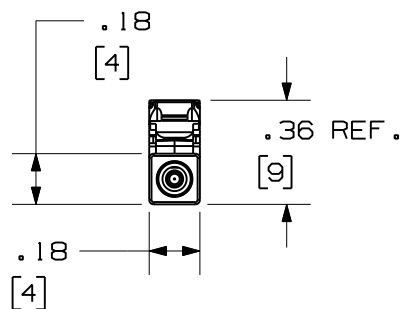
THIS COPY IS PROVIDED ON A RESTRICTED BASIS AND IS NOT TO BE USED IN ANY WAY DETRIMENTAL TO THE INTERESTS OF PANDUIT CORP.



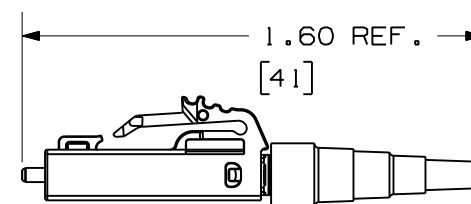
PANDUIT PART NUMBER	TYPE	FOR USE WITH
FLCSSBUY	SINGLEMODE	9/125um FIBER
FLCSMBLY	MULTIMODE	50/125um FIBER
FLCSMEIY	MULTIMODE	62.5/125um FIBER

NOTES:


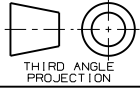
1. SEE CATALOG FOR ADDITIONAL PART NUMBER SUFFIXES TO INDICATE COLOR AND/OR PACKAGE QUANTITY.
2. ACCEPTS 1.6/2.0mm OR 900um BUFFERED, 9/125um SINGLEMODE, 50/125um MULTIMODE OR 62.5/125um MULTIMODE GLASS OPTICAL FIBER.
3. FULLY COMPLIES WITH THE FIBER OPTIC CONNECTOR PERFORMANCE REQUIREMENTS AS SPECIFIED BY TIA/EIA-568-B.3.
4. MATERIAL:
BODY/HARDWARE: PLASTIC
BOOT: THERMOPLASTIC RUBBER
FERRULE: ZIRCONIA CERAMIC
5. DIMENSIONS IN BRACKETS ARE METRIC [mm].
6. WEIGHT PER 10 PIECES: .037 lb [16.7g]



LC CONNECTOR WITH 1.6/2.0mm BOOT



LC CONNECTOR WITH 900um BOOT

REV	DATE	BY	CHK	DESCRIPTION	ECN	R	CUST	SUP	OTH	FIBER OPTIC SINGLEMODE/MULTIMODE SIMPLEX LC CONNECTOR CUSTOMER DRAWING		
2	09-01-11	MC	MTV	RELEASED TO PRODUCTION	01371-49	MTV	RWB			 PANDUIT™ CORP. TINLEY PARK, ILL 60477		
										 THIRD ANGLE PROJECTION	ALL DIMENSIONS ARE GIVEN IN INCHES UNLESS OTHERWISE SPECIFIED. DIMENSIONAL TOLERANCES ARE: (.X) ±.03 (.XXX) ±.010 (.3) ±.01 ANGLES	DRAWING FILENAME M01371AB_DC-Y/10A
										SCALE NONE	PART NO. FLCSSBUY FLCSMBLY/FLCSMEIY	
										AS NOTED	DRAWING NO. 01371-49	
										CHK'D JDK	SIZE A	