



Chipsmall Limited consists of a professional team with an average of over 10 year of expertise in the distribution of electronic components. Based in Hongkong, we have already established firm and mutual-benefit business relationships with customers from,Europe,America and south Asia,supplying obsolete and hard-to-find components to meet their specific needs.

With the principle of "Quality Parts,Customers Priority,Honest Operation,and Considerate Service",our business mainly focus on the distribution of electronic components. Line cards we deal with include Microchip,ALPS,ROHM,Xilinx,Pulse,ON,Everlight and Freescale. Main products comprise IC,Modules,Potentiometer,IC Socket,Relay,Connector.Our parts cover such applications as commercial,industrial, and automotives areas.

We are looking forward to setting up business relationship with you and hope to provide you with the best service and solution. Let us make a better world for our industry!



Contact us

Tel: +86-755-8981 8866 Fax: +86-755-8427 6832

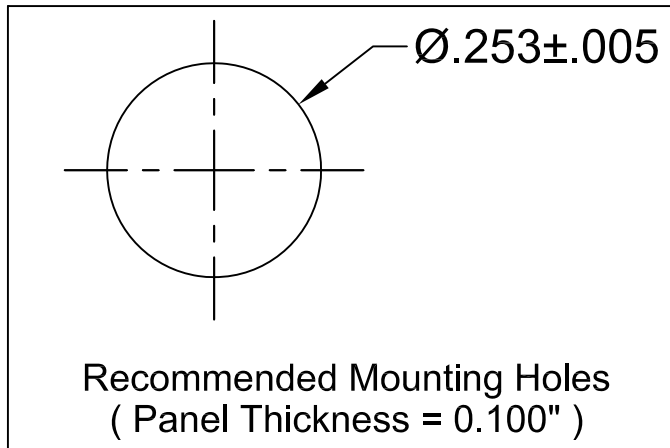
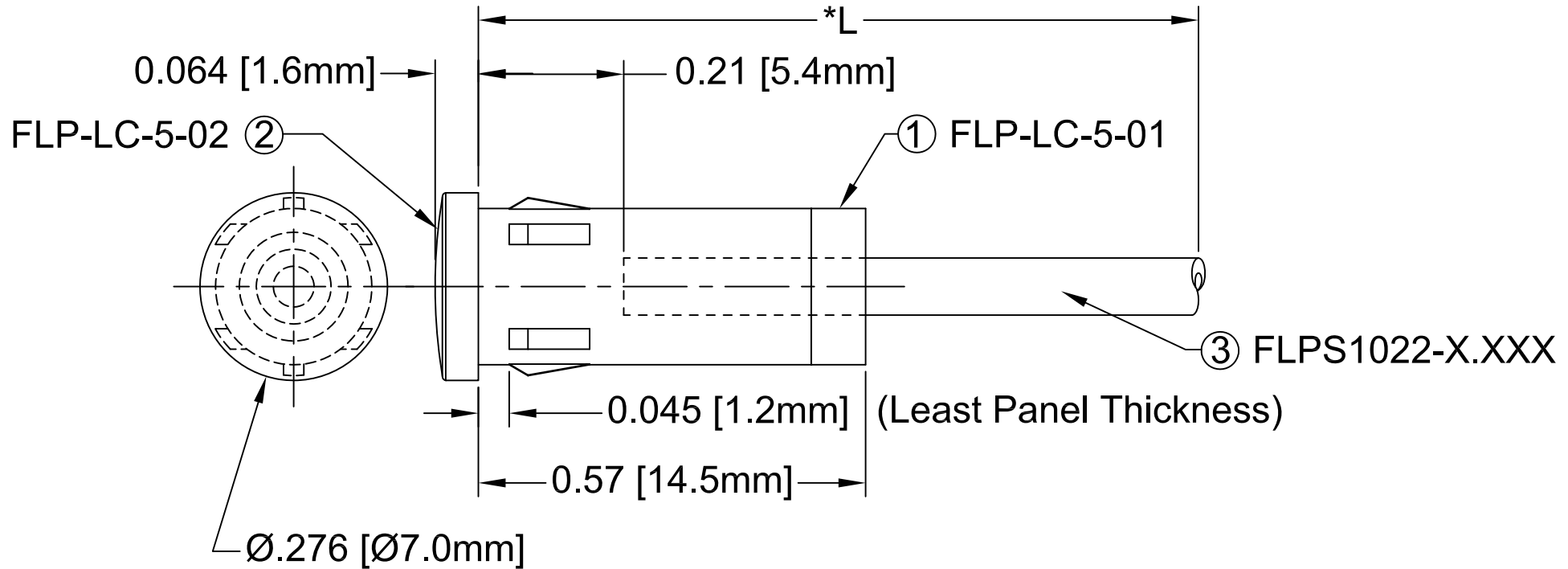
Email & Skype: info@chipsmall.com Web: www.chipsmall.com

Address: A1208, Overseas Decoration Building, #122 Zhenhua RD., Futian, Shenzhen, China




ITEM	Q'TY	PART NUMBER	PART DESCRIPTION
1	1	FLP-LC-5-01	HOLDER CAP, FLEXIBLE LIGHT-PIPE, INSERT
2	1	FLP-LC-5-02	HOLDER CAP, FLEXIBLE LIGHT-PIPE, BODY
3	1	FLPS1022-X.XXX	LIGHT PIPE CABLE, CUT LENGTH IN INCHES

REV.	DESCRIPTION	DATE	APPROVED
C	Engineering Update w/o Changes	03/05/04	M. C.
D	Dimensioning Update w/o Changes	01/05/05	M. C.
E	FLP Length Update.	10/18/05	M. C.
F	FLP Length Clarification.	01/11/06	M. C.
G	Updated Fiber in BOM	11/16/12	T. Y.



" L "	Tolerance
0.750" ~ 16.000"	± 0.050 "
16.100" ~ 40.000"	± 0.150 "
40.100" ~ 80.000"	± 0.300 "
80.100" ~ 3,940.0"	$\pm 0.5\%$

*NOTE:
ALLOWABLE CUT LENGTH IS UP TO 3 DECIMAL PLACES.

STANDARD TOLERANCE (UNLESS OTHERWISE SPECIFIED)		 BIVAR [®] 4 THOMAS, IRVINE, CA. 92618 TEL: (949) 951-8808 FAX: (949) 951-3974
DECIMALS	ANGULAR	
.X $\pm .1$	X° $\pm 1^\circ$	TITLE: LENS CAP / FLP ASSEMBLY, 7mm ROUND PART NO: FLP5-XX.X REVISION: G
.XX $\pm .02$		
.XXX $\pm .010$		
DESIGNED: Shane Irving	DATE: 05/22/02	CAGE CODE : 32559 SHEET # 1 OF 1
CHECKED: M. Chen	DATE: 05/22/02	CAD GENERATED DOCUMENT, DO NOT MEASURE DRAWING.