



Chipsmall Limited consists of a professional team with an average of over 10 year of expertise in the distribution of electronic components. Based in Hongkong, we have already established firm and mutual-benefit business relationships with customers from,Europe,America and south Asia,supplying obsolete and hard-to-find components to meet their specific needs.

With the principle of “Quality Parts,Customers Priority,Honest Operation,and Considerate Service”,our business mainly focus on the distribution of electronic components. Line cards we deal with include Microchip,ALPS,ROHM,Xilinx,Pulse,ON,Everlight and Freescale. Main products comprise IC,Modules,Potentiometer,IC Socket,Relay,Connector.Our parts cover such applications as commercial,industrial, and automotives areas.

We are looking forward to setting up business relationship with you and hope to provide you with the best service and solution. Let us make a better world for our industry!



Contact us

Tel: +86-755-8981 8866 Fax: +86-755-8427 6832

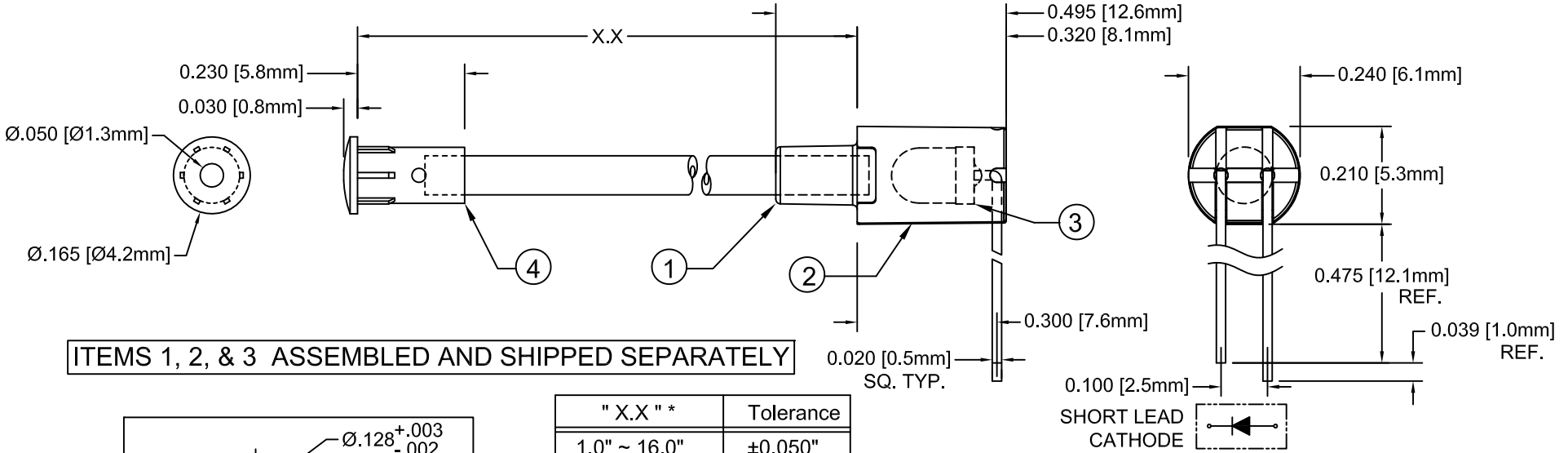
Email & Skype: info@chipsmall.com Web: www.chipsmall.com

Address: A1208, Overseas Decoration Building, #122 Zhenhua RD., Futian, Shenzhen, China



ITEM	Q'TY	PART NUMBER	PART DESCRIPTION
1	1	PML3-1	Bushing, FLeXible Light Pipe Adapter
2	1	PML3-2	Body, Flexible Light Pipe Adapter
3	1	3IR-940	T1 (3mm) Infrared LED
4	1	LC-IR-XX.X	IR Lens Cap / FLPS1022-X.XXX Assembly (X.XXX, Cut Length in Inches)

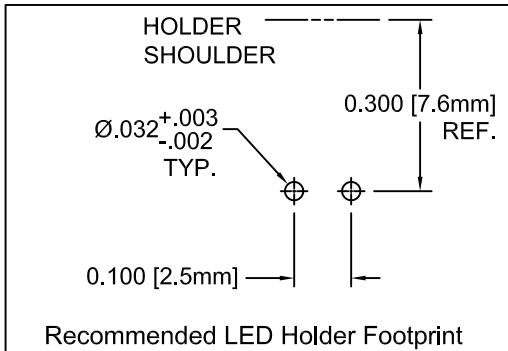
REV.	DESCRIPTION	DATE	APPROVED
A	Engineering Release.	03/22/10	T. Y.
B	Updated Fiber To FLPS In BOM	11/16/12	T. Y.



ITEMS 1, 2, & 3 ASSEMBLED AND SHIPPED SEPARATELY

" X.X " *	Tolerance
1.0" ~ 16.0"	±0.050"
16.1" ~ 40.0"	±0.15"
40.1" ~ 80.0"	±0.30"
80.1" ~ 3,940.0"	±0.5%

* Available in 0.1" increments only



LED OPTICAL / ELECTRICAL CHARACTERISTICS					
Parameter	Test Condition	Minimum	Typical	Maximum	Units
Radiant Intensity	I _F = 50mA	11.78	33.4	-	mW/sr
Forward Voltage	I _F = 50mA	-	1.25	1.5	V
Peak Wavelength	I _F = 20mA	-	940	-	nm
Spectral Line-Half Width	I _F = 20mA	-	50	-	nm
Viewing Angle	I _F = 20mA	-	50	-	deg

LED ABSOLUTE MAXIMUM RATINGS		
Parameter	Maximum Rating	Unit
Power Dissipation	100	mW
Continuous Forward Current	100	mA
Peak Forward Current	1.0	A
Reverse Voltage	5	V
Reverse Current	10	uA

Lens Appearance: Blue Transparent

ABSOLUTE TEMPERATURE RATINGS (Ta=25°C)

OPERATING TEMPERATURE RANGE _____ -25° C - 85° C
 STORAGE TEMPERATURE _____ -30° C - 100° C
 LEAD SOLDERING TEMPERATURE(1/16" FROM BODY) _____ 260° C FOR 5 SECONDS

STANDARD TOLERANCE (UNLESS OTHERWISE SPECIFIED)		BIVAR [®] 4 THOMAS, IRVINE, CA. 92618 TEL: (949) 951-8808 FAX: (949) 951-3974
DECIMALS	ANGULAR	
.X ±.1 .XX ±.02 .XXX ±.010	X° ± 1°	
DESIGNED: Raffy Paje	DATE: 03/22/10	TITLE: FLEXIBLE LIGHT-PIPE LED ADAPTER ASSY, IR
CHECKED: T. Yin	DATE: 03/22/10	PART NO: FLPIRRXX.XIR940
		REVISION: B
		CAGE CODE : 32559 SHEET # 1 OF 1
CAD GENERATED DOCUMENT, DO NOT MEASURE DRAWING.		