



Chipsmall Limited consists of a professional team with an average of over 10 year of expertise in the distribution of electronic components. Based in Hongkong, we have already established firm and mutual-benefit business relationships with customers from,Europe,America and south Asia,supplying obsolete and hard-to-find components to meet their specific needs.

With the principle of "Quality Parts,Customers Priority,Honest Operation,and Considerate Service",our business mainly focus on the distribution of electronic components. Line cards we deal with include Microchip,ALPS,ROHM,Xilinx,Pulse,ON,Everlight and Freescale. Main products comprise IC,Modules,Potentiometer,IC Socket,Relay,Connector.Our parts cover such applications as commercial,industrial, and automotives areas.

We are looking forward to setting up business relationship with you and hope to provide you with the best service and solution. Let us make a better world for our industry!



Contact us

Tel: +86-755-8981 8866 Fax: +86-755-8427 6832

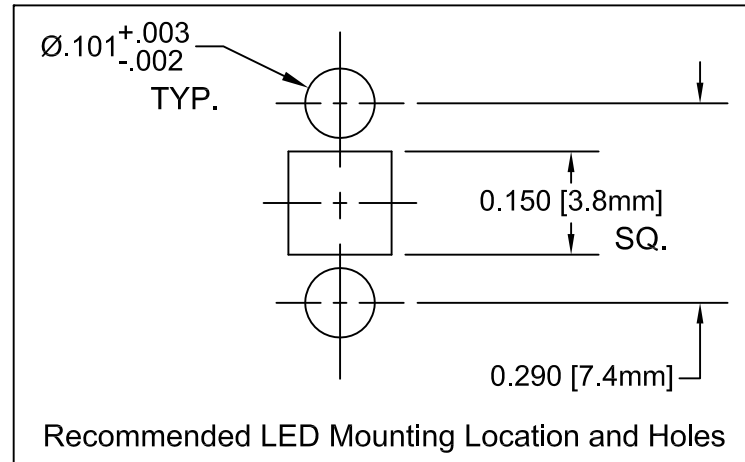
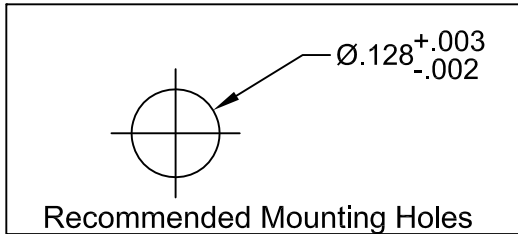
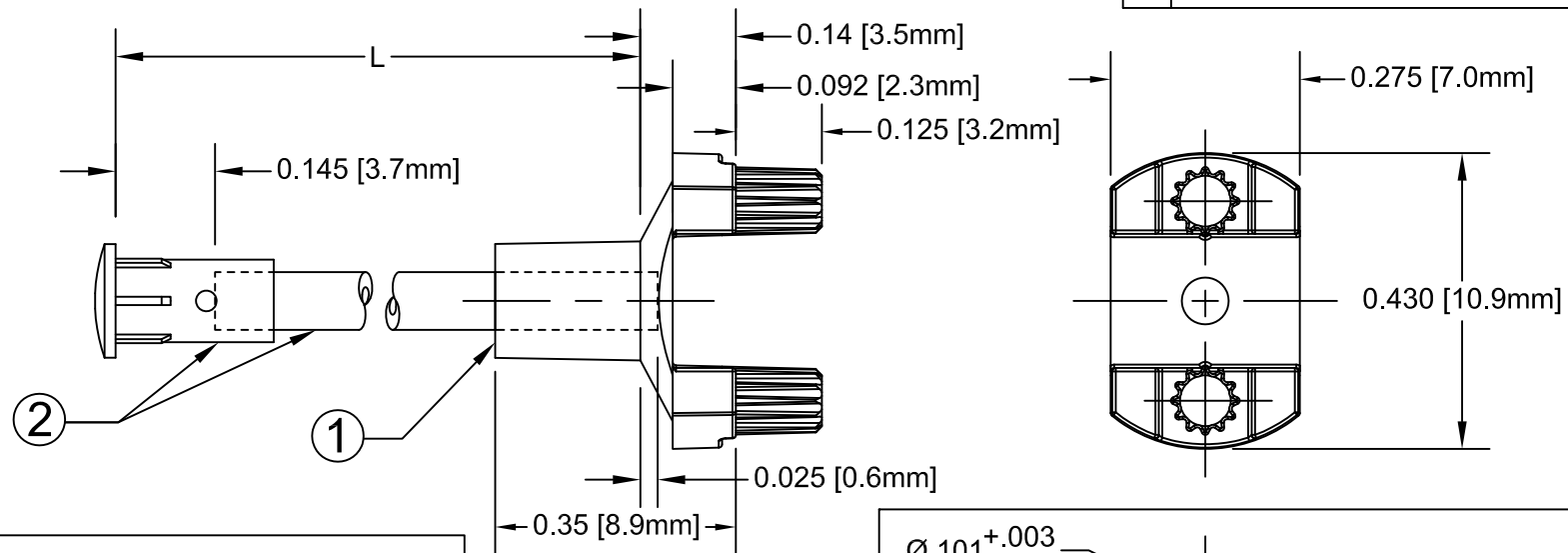
Email & Skype: info@chipsmall.com Web: www.chipsmall.com

Address: A1208, Overseas Decoration Building, #122 Zhenhua RD., Futian, Shenzhen, China



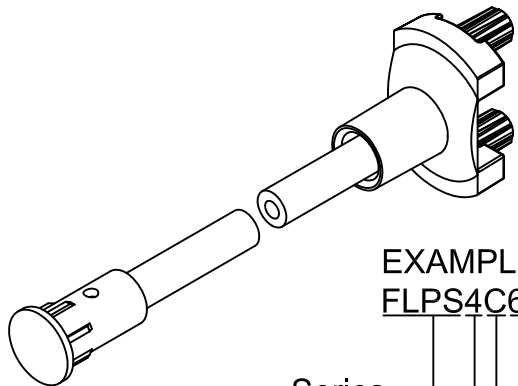
ITEM	Q'TY	PART NUMBER	PART DESCRIPTION
1	1	SMFLP	Adapter, Surface Mount Flexible Light Pipe
2	1	PM4-C1522-XX.XX	4mm Circular Lens FLP Indicator

REV.	DESCRIPTION	DATE	APPROVED
A	Engineering Release.	07/11/12	T. Y.
B	Updated Table For Length "L"	12/12/12	T. Y.



" L " *	Tolerance
1.0" ~ 16.0"	±0.050"
16.1" ~ 40.0"	±0.15"
40.1" ~ 80.0"	±0.30"
80.1" ~ 500.0"	±0.5%

* Available in 0.1" increments only



EXAMPLE:
FLPS4C6.5-E
 Series ———
 Lens Size ———
 Lens Shape ———
 Adaptor Sty ———
 Fiber Length in 0.1" Increments

NOTE: SMFLP ADAPTER SHIPPED NON-ASSEMBLED

STANDARD TOLERANCE (UNLESS OTHERWISE SPECIFIED)		BIVAR [®] 4 THOMAS, IRVINE, CA. 92618 TEL: (949) 951-8808 FAX: (949) 951-3974		
DECIMALS	ANGULAR			
.X ±.1	X° ± 1°		TITLE: 4mm Circular Lens Flexible Light Pipe FLPS1522 Indicator w/ SMFLP Adaptor	
.XX ±.02				PART NO: FLPS4CX.X-E
.XXX ±.010				REVISION: B
DESIGNED: Ty Yin	DATE: 07/11/12	CAGE CODE: 32559	SHEET # 1 OF 1	
CHECKED: B. Oliver	DATE: 07/11/12	CAD GENERATED DOCUMENT, DO NOT MEASURE DRAWING.		