



Chipsmall Limited consists of a professional team with an average of over 10 year of expertise in the distribution of electronic components. Based in Hongkong, we have already established firm and mutual-benefit business relationships with customers from,Europe,America and south Asia,supplying obsolete and hard-to-find components to meet their specific needs.

With the principle of “Quality Parts,Customers Priority,Honest Operation,and Considerate Service”,our business mainly focus on the distribution of electronic components. Line cards we deal with include Microchip,ALPS,ROHM,Xilinx,Pulse,ON,Everlight and Freescale. Main products comprise IC,Modules,Potentiometer,IC Socket,Relay,Connector.Our parts cover such applications as commercial,industrial, and automotives areas.

We are looking forward to setting up business relationship with you and hope to provide you with the best service and solution. Let us make a better world for our industry!



Contact us

Tel: +86-755-8981 8866 Fax: +86-755-8427 6832

Email & Skype: info@chipsmall.com Web: www.chipsmall.com

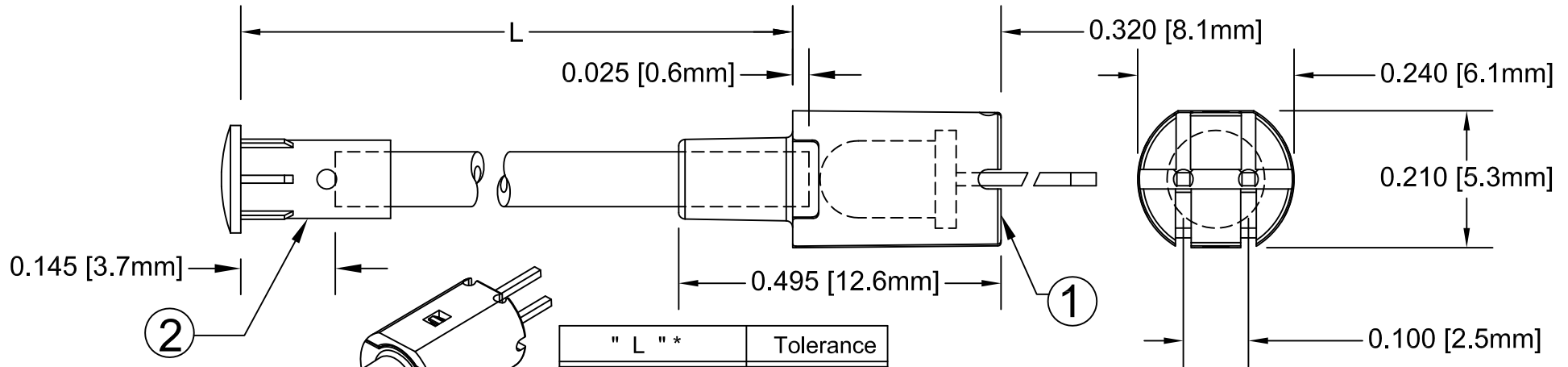
Address: A1208, Overseas Decoration Building, #122 Zhenhua RD., Futian, Shenzhen, China



| ITEM | Q'TY | PART NUMBER | PART DESCRIPTION |
|------|------|-------------|---|
| 1 | 1 | FLPV-XX | Flexible Light Pipe Adapter, Vertical, w/LED, See page 2 & 3. |
| 2 | 1 | LC-XX.X | Flexible Light Pipe Lens Cap Assembly |

| REV. | DESCRIPTION | DATE | APPROVED |
|------|---|----------|----------|
| D | Added Shipping Note and Tolerance Table | 04/17/06 | M. C. |
| E | Changed Length from 2.5 to 0.5 at "L" Table | 02/12/07 | M. C. |
| F | Updated BOM | 01/25/08 | M. C. |
| G | Updated FLPC Hidden View. | 08/27/08 | M. C. |
| H | Updated White Assy P/N | 12/03/10 | T. Y. |
| J | Updated Table For Length "L" | 11/14/12 | T. Y. |
| K | Replace 3UWC-0.6K-F With 3UWC1.035C-F | 04/08/13 | T. Y. |

NOTE: FLPV-XX ADAPTER SHIPPED NON-ASSEMBLED

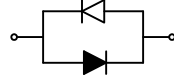


| " L " * | Tolerance |
|------------------|-----------|
| 1.0" ~ 16.0" | ±0.050" |
| 16.1" ~ 40.0" | ±0.15" |
| 40.1" ~ 80.0" | ±0.30" |
| 80.1" ~ 3,940.0" | ±0.5% |

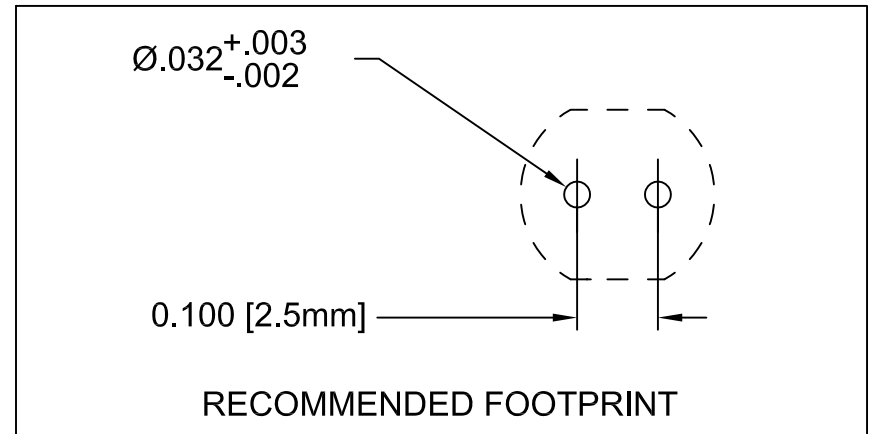
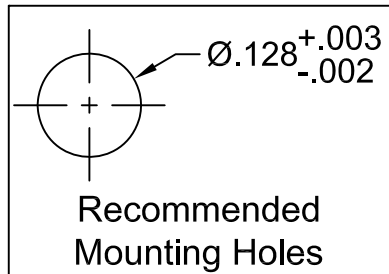
* Available in 0.1" increments only



BI-COLOR LED'S



| SHORT LEAD CATHODE | LED PART NO. | LONG LEAD CATHODE |
|--------------------|--------------|-------------------|
| RED | 3xBCC-F | GREEN |
| YELLOW | 3xBCC-Y/G-F | GREEN |
| RED | 3xBCC-R/Y-F | YELLOW |
| AMBER | 3xBCC-A/G-F | GREEN |



ABSOLUTE MAXIMUM RATINGS (Ta=25°C)


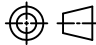
| | | |
|---|-------|----------------------|
| REVERSE VOLTAGE | _____ | 5V |
| REVERSE CURRENT | _____ | 100uA |
| OPERATING TEMPERATURE RANGE | _____ | -25° C - 85° C |
| STORAGE TEMPERATURE | _____ | -30° C - 100° C |
| LEAD SOLDERING TEMPERATURE(1/16" FROM BODY) | _____ | 260° C FOR 5 SECONDS |

| | | | |
|---|-----------------------|---|-----------------------|
| STANDARD TOLERANCE (UNLESS OTHERWISE SPECIFIED) | | BIVAR [®] 4 THOMAS, IRVINE, CA. 92618 TEL: (949) 951-8808 FAX: (949) 951-3974 | |
| DECIMALS | ANGULAR | | |
| .X ±.1 | X° ± 1° | TITLE: FLEXIBLE LIGHT-PIPE ASSY VERTICAL, 3mm LENS CAP W/LED | |
| .XX ±.02 | | | |
| .XXX ±.010 | | | |
| DESIGNED: Shane Irving | DATE: 05/06/99 | PART NO: FLPVX.X-XX | REVISION: K |
| CHECKED: M. Chen | DATE: 07/03/02 | CAGE CODE : 32559 | SHEET # 1 OF 3 |
| CAD GENERATED DOCUMENT. DO NOT MEASURE DRAWING. | | | |

| REV. | DESCRIPTION | DATE | APPROVED |
|------|--------------|------|----------|
| | SEE SHEET#1. | | |

| LED Assy. No. | Emitted Color | Peak Wave Length λ_p (nm) | Lens Appearance | Absolute Max. Ratings | | | Electro-Optical Data @ 20mA | | | Viewing Angle $2\theta \frac{1}{2}$ (Deg) | LED P/N |
|---------------|---------------|--------------------------------------|-----------------|-----------------------|------------|-----------------|-----------------------------|------|-------------|---|---------|
| | | | | Pd (mW) | If (mA) | Peak If (mA) | Vf (V) | | Iv (mcd) | | |
| | | | | | | | Typ. | Max. | Typ. | | |
| FLPVX.X-SG | SUPER GREEN | 568 | WATER CLEAR | 80 | 30 | 150 | 2.1 | 2.8 | 50 | 20 | 3SGC-F |
| FLPVX.X-SY | SUPER YELLOW | 590 | WATER CLEAR | 85 | 30 | 150 | 2.0 | 2.8 | 50 | 20 | 3SYC-F |
| FLPVX.X-SA | SUPER AMBER | 605 | WATER CLEAR | 100 | 30 | 150 | 1.8 | 2.4 | 300 | 20 | 3SAC-F |
| FLPVX.X-SR | SUPER RED | 645 | WATER CLEAR | 70 | 30 | 150 | 1.7 | 2.4 | 60 | 20 | 3SRC-F |


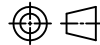
| LED Assy. No. | Emitted Color | Peak Wave Length λ_p (nm) | Lens Appearance | Absolute Max. Ratings | | | Electro-Optical Data @ 20mA | | | Viewing Angle $2\theta \frac{1}{2}$ (Deg) | LED P/N |
|----------------|---------------|--------------------------------------|-----------------|-----------------------|------------|-----------------|-----------------------------|------|-------------|---|--------------|
| | | | | Pd (mW) | If (mA) | Peak If (mA) | Vf (V) | | Iv (mcd) | | |
| | | | | | | | Typ. | Max. | Typ. | | |
| FLPVX.X-UBW.6K | BLUE | 470 | WATER CLEAR | 150 | 25 | 70 | 4.0 | 4.5 | 400 | 20 | 3UBWC-0.6K-F |
| FLPVX.X-UT | TURQUOISE | 500 | WATER CLEAR | 70 | 30 | 150 | 3.5 | 4.0 | 800 | 20 | 3UTC-F |
| FLPVX.X-UG | GREEN | 570 | WATER CLEAR | 100 | 30 | 150 | 2.1 | 2.4 | 200 | 20 | 3UGC-F |
| FLPVX.X-SUG | GREEN | 570 | WATER CLEAR | 100 | 30 | 150 | 2.1 | 2.4 | 300 | 20 | 3SUGC-F |
| FLPVX.X-UY | YELLOW | 590 | WATER CLEAR | 85 | 30 | 150 | 2.0 | 2.4 | 300 | 20 | 3UYC-F |
| FLPVX.X-SUY | YELLOW | 590 | WATER CLEAR | 85 | 30 | 150 | 2.0 | 2.4 | 400 | 20 | 3SUYC-F |
| FLPVX.X-UUY | YELLOW | 590 | WATER CLEAR | 85 | 30 | 150 | 2.0 | 2.4 | 600 | 20 | 3UUYC-F |
| FLPVX.X-UO | ORANGE | 625 | WATER CLEAR | 100 | 30 | 150 | 1.8 | 2.4 | 300 | 20 | 3UOC-F |
| FLPVX.X-SUO | ORANGE | 625 | WATER CLEAR | 100 | 30 | 150 | 1.8 | 2.4 | 400 | 20 | 3SUOC-F |
| FLPVX.X-UR | RED | 645 | WATER CLEAR | 60 | 30 | 150 | 1.7 | 2.4 | 200 | 20 | 3URC-F |
| FLPVX.X-SUR | RED | 640 | WATER CLEAR | 70 | 30 | 150 | 1.8 | 2.4 | 200 | 20 | 3SURC-F |
| FLPVX.X-UW0.6K | WHITE | - | WATER CLEAR | 120 | 30 | 100 | 3.4 | 3.8 | 1000 | 35 | 3UWC1.035C-F |

| | | | |
|---|--------------------------|--|-----------------------|
| STANDARD TOLERANCE (UNLESS OTHERWISE SPECIFIED) $\pm 10\%$ ALL VALUES | |  BIVAR [®] 4 THOMAS, IRVINE, CA. 92618 TEL: (949) 951-8808 FAX: (949) 951-3974 | |
| ANGULAR $X^\circ \pm 5^\circ$ | | | |
|  | | TITLE: FLEXIBLE LIGHT-PIPE ASSY VERTICAL, 3mm LENS CAP W/LED | |
| DESIGNED: David Green | DATE: 06/09/03 | PART NO: FLPVX.X-XX | REVISION: K |
| CHECKED: M. Chen | DATE: 06/09/03 | CAGE CODE : 32559 | SHEET # 2 OF 3 |
| CAD GENERATED DOCUMENT, DO NOT MEASURE DRAWING. | | | |

| REV. | DESCRIPTION | DATE | APPROVED |
|------|--------------|------|----------|
| | SEE SHEET#1. | | |

| LED Assy. No. | Emitted Color | Peak Wave Length λ_p (nm) | Lens Appearance | Absolute Max. Ratings | | | Electro-Optical Data @ 20mA | | | Viewing Angle $2\theta_{1/2}$ (Deg) | LED P/N |
|----------------|---------------|--------------------------------------|-----------------|-----------------------|------------|-----------------|-----------------------------|------|-------------|---|------------|
| | | | | Pd (mW) | If (mA) | Peak If (mA) | Vf (V) | | Iv (mcd) | | |
| | | | | | | | Typ. | Max. | Typ. | | |
| FLPVX.X-BC | HE RED | 625 | WATER CLEAR | 80 | 30 | 150 | 2.0 | 2.8 | 8 | 40 | 3BCC-F |
| | GREEN | 568 | | 80 | 30 | 150 | 2.1 | 2.8 | 8 | | |
| FLPVX.X-BC-Y/G | YELLOW | 590 | WATER CLEAR | 80 | 30 | 150 | 2.0 | 2.8 | 6 | 40 | 3BCC-Y/G-F |
| | GREEN | 568 | | 80 | 30 | 150 | 2.1 | 2.8 | 8 | | |
| FLPVX.X-BC-R/Y | HE RED | 625 | WATER CLEAR | 80 | 30 | 150 | 2.0 | 2.8 | 8 | 40 | 3BCC-R/Y-F |
| | YELLOW | 590 | | 80 | 30 | 150 | 2.0 | 2.8 | 6 | | |
| FLPVX.X-BC-A/G | AMBER | 605 | WATER CLEAR | 80 | 30 | 150 | 2.0 | 2.8 | 6 | 40 | 3BCC-A/G-F |
| | GREEN | 568 | | 80 | 30 | 150 | 2.1 | 2.8 | 8 | | |

| LED Assy. No. | Emitted Color | Peak Wave Length λ_p (nm) | Lens Appearance | Absolute Max. Ratings | | | Electro-Optical Data @ 20mA | | | Viewing Angle $2\theta_{1/2}$ (Deg) | LED P/N |
|-----------------|---------------|--------------------------------------|-----------------|-----------------------|------------|-----------------|-----------------------------|------|-------------|---|-------------|
| | | | | Pd (mW) | If (mA) | Peak If (mA) | Vf (V) | | Iv (mcd) | | |
| | | | | | | | Typ. | Max. | Typ. | | |
| FLPVX.X-SBC | SUPER RED | 645 | WATER CLEAR | 70 | 30 | 150 | 1.7 | 2.4 | 100 | 20 | 3SBCC-F |
| | HE GREEN | 568 | | 80 | 30 | 150 | 2.1 | 2.8 | 60 | | |
| FLPVX.X-SBC-Y/G | SUPER YELLOW | 585 | WATER CLEAR | 85 | 20 | 160 | 2.1 | 2.4 | 15 | 40 | 3SBCC-Y/G-F |
| | HE GREEN | 565 | | 80 | 20 | 160 | 2.1 | 2.8 | 5 | | |
| FLPVX.X-SBC-R/Y | SUPER RED | 645 | WATER CLEAR | 70 | 30 | 150 | 1.7 | 2.4 | 100 | 20 | 3SBCC-R/Y-F |
| | SUPER YELLOW | 590 | | 85 | 30 | 150 | 2.0 | 2.4 | 300 | | |

| | | | |
|---|--------------------------|--|------------------------------|
| STANDARD TOLERANCE (UNLESS OTHERWISE SPECIFIED) $\pm 10\%$ ALL VALUES | |  BIVAR [®] 4 THOMAS, IRVINE, CA, 92618 TEL: (949) 951-8808 FAX: (949) 951-3974 | |
| ANGULAR $X^\circ \pm 5^\circ$ | | | |
|  | | TITLE: FLEXIBLE LIGHT-PIPE ASSY VERTICAL, 3mm LENS CAP W/LED | |
| DESIGNED: David Green | DATE: 06/09/03 | PART NO: FLPVX.X-XX | REVISION: K |
| CHECKED: M. Chen | DATE: 06/09/03 | CAGE CODE : 32559 | SHEET # 3 OF 3 |
| CAD GENERATED DOCUMENT, DO NOT MEASURE DRAWING. | | | |