



Chipsmall Limited consists of a professional team with an average of over 10 year of expertise in the distribution of electronic components. Based in Hongkong, we have already established firm and mutual-benefit business relationships with customers from,Europe,America and south Asia,supplying obsolete and hard-to-find components to meet their specific needs.

With the principle of "Quality Parts,Customers Priority,Honest Operation,and Considerate Service",our business mainly focus on the distribution of electronic components. Line cards we deal with include Microchip,ALPS,ROHM,Xilinx,Pulse,ON,Everlight and Freescale. Main products comprise IC,Modules,Potentiometer,IC Socket,Relay,Connector.Our parts cover such applications as commercial,industrial, and automotives areas.

We are looking forward to setting up business relationship with you and hope to provide you with the best service and solution. Let us make a better world for our industry!



Contact us

Tel: +86-755-8981 8866 Fax: +86-755-8427 6832

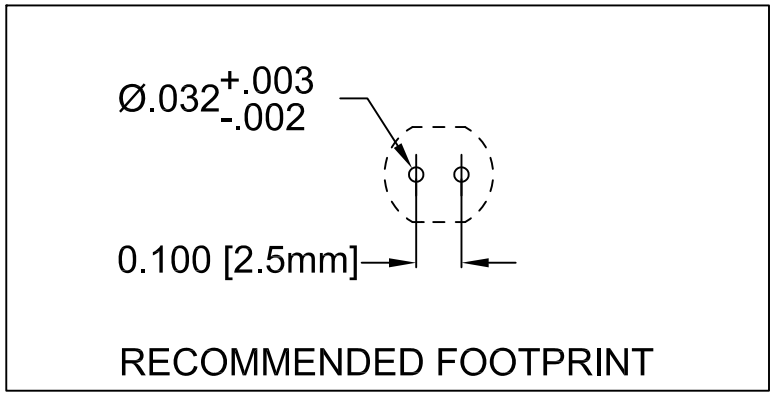
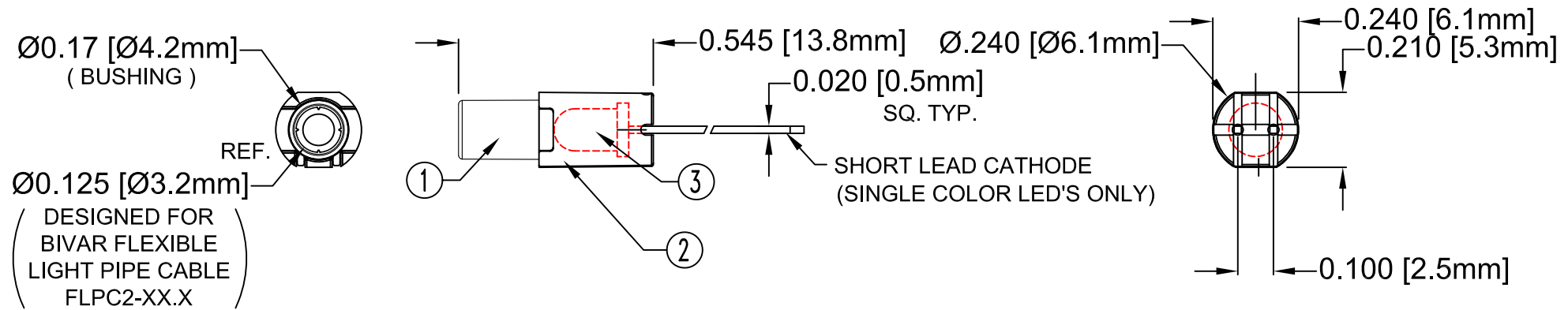
Email & Skype: info@chipsmall.com Web: www.chipsmall.com

Address: A1208, Overseas Decoration Building, #122 Zhenhua RD., Futian, Shenzhen, China



ITEM	Q'TY	PART NUMBER	PART DESCRIPTION
1	1	PML3-3	FLEXIBLE LIGHT-PIPE HOLDER, BUSHING
2	1	PML3-2	FLEXIBLE LIGHT-PIPE HOLDER, BODY
3	1	3XX-XX-F	T-1 (3mm) LED FLANGED, SEE PAGE 2.

REV.	DESCRIPTION	DATE	APPROVED
A	Engineering Release.	09/14/09	T. Y.
B	Replaced 3UWC-0.6K-F with 3UWC1.035C-F	04/08/13	T. Y.



SHORT LEAD CATHODE	LED PART NO.	LONG LEAD CATHODE
RED	3xBCC-F	GREEN
YELLOW	3xBCC-Y/G-F	GREEN
RED	3xBCC-R/Y-F	YELLOW
AMBER	3xBCC-A/G-F	GREEN

ABSOLUTE MAXIMUM RATINGS (Ta = 25°C)

- REVERSE VOLTAGE _____ 5V
- REVERSE CURRENT (VR=5V) _____ 100µA
- OPERATING TEMPERATURE RANGE _____ -25°C ~ 85°C
- STORAGE TEMPERATURE _____ -30°C ~ 100°C
- LEAD SOLDERING TEMPERATURE (1/16" FROM BODY) _____ 260°C for 5 Seconds

STANDARD TOLERANCE (UNLESS OTHERWISE SPECIFIED)		 4 THOMAS, IRVINE, CA. 92618 TEL: (949) 951-8808 FAX: (949) 951-3974	
DECIMALS	ANGULAR		
.X ± .1	X° ± 1°		
.XX ± .02		 TITLE: FLEXIBLE LIGHT PIPE 2mm ADAPTER, VERTICAL, W/LED	
.XXX ± .010			
DESIGNED: Raffy Paje	DATE: 09/14/09	PART NO: FLPV2-XX	REVISION: B
CHECKED: F. Jensen	DATE: 09/14/09	CAGE CODE : 32559	SHEET # 1 OF 2
CAD GENERATED DOCUMENT, DO NOT MEASURE DRAWING.			

REV.	DESCRIPTION	DATE	APPROVED
	SEE SHEET#1		



SINGLE COLOR ASSEMBLIES

Assembly Part No.	Emitted Color	LED Part No.
FLPV2-SA	AMBER	3SAC-F
FLPV2-UBW	BLUE	3UBWC-0.6K-F
FLPV2-SG	GREEN	3SGC-F
FLPV2-UG	GREEN	3UGC-F
FLPV2-SUG	GREEN	3SUGC-F
FLPV2-UO	ORANGE	3UOC-F
FLPV2-SUO	ORANGE	3SUOC-F
FLPV2-SR	RED	3SRC-F
FLPV2-UR	RED	3URC-F
FLPV2-SUR	RED	3SURC-F
FLPV2-UT	TURQUOISE	3UTC-F
FLPV2-SY	YELLOW	3SYC-F
FLPV2-UY	YELLOW	3UYC-F
FLPV2-SUY	YELLOW	3SUYC-F
FLPV2-UUY	YELLOW	3UUYC-F
FLPV2-UW	WHITE	3UWC1.035C-F

BI-COLOR ASSEMBLIES

Assembly Part No.	Emitted Color	LED Part No.
FLPV2-BC	HE RED	3BCC-F
	GREEN	
FLPV2-YG	YELLOW	3BCC-Y/G-F
	GREEN	
FLPV2-RY	YELLOW	3BCC-R/Y-F
	HE RED	
FLPV2-AG	AMBER	3BCC-A/G-F
	GREEN	
FLPV2-SBC	SUPER RED	3SBCC-F
	HE GREEN	
FLPV2-SYG	SUPER YELLOW	3SBCC-Y/G-F
	HE GREEN	
FLPV2-SRY	SUPER RED	3SBCC-R/Y-F
	SUPER YELLOW	

NOTES:
1. REFERENCE LED PRINTS FOR OPTICAL/ELECTRICAL SPECIFICATIONS

STANDARD TOLERANCE (UNLESS OTHERWISE SPECIFIED)		 BIVAR [®] 4 THOMAS, IRVINE, CA, 92618 TEL: (949) 951-8808 FAX: (949) 951-3974	
DECIMALS	ANGULAR		
		TITLE: FLEXIBLE LIGHT PIPE 2mm ADAPTER, VERTICAL, W/LED	
		DESIGNED: Raffy Paje	DATE: 09/14/09
CHECKED: F. Jensen	DATE: 09/14/09	CAGE CODE : 32559	SHEET # 2 OF 2 <small>CAD GENERATED DOCUMENT, DO NOT MEASURE DRAWING.</small>