



Chipsmall Limited consists of a professional team with an average of over 10 year of expertise in the distribution of electronic components. Based in Hongkong, we have already established firm and mutual-benefit business relationships with customers from,Europe,America and south Asia,supplying obsolete and hard-to-find components to meet their specific needs.

With the principle of "Quality Parts,Customers Priority,Honest Operation,and Considerate Service",our business mainly focus on the distribution of electronic components. Line cards we deal with include Microchip,ALPS,ROHM,Xilinx,Pulse,ON,Everlight and Freescale. Main products comprise IC,Modules,Potentiometer,IC Socket,Relay,Connector.Our parts cover such applications as commercial,industrial, and automotives areas.

We are looking forward to setting up business relationship with you and hope to provide you with the best service and solution. Let us make a better world for our industry!



## Contact us

Tel: +86-755-8981 8866 Fax: +86-755-8427 6832

Email & Skype: info@chipsmall.com Web: www.chipsmall.com

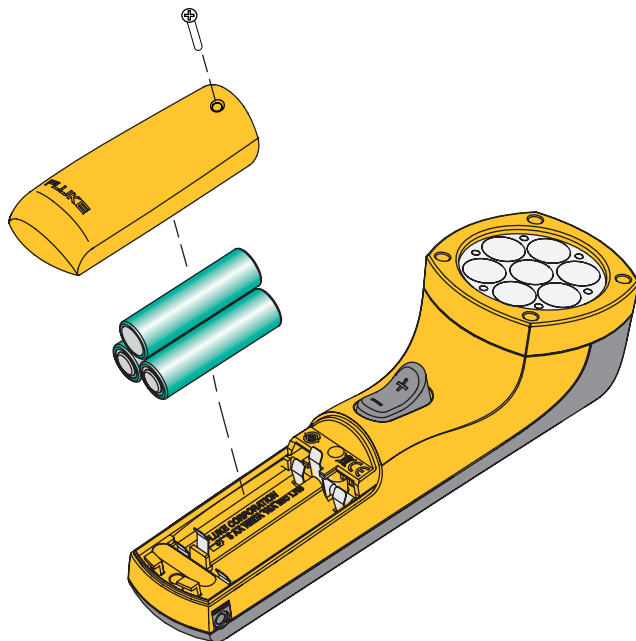
Address: A1208, Overseas Decoration Building, #122 Zhenhua RD., Futian, Shenzhen, China





# 820-2 Stroboscope

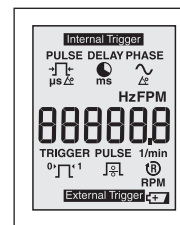
Quick Reference Guide



### ⚠ Warning

To prevent possible injury read the “820 Safety Sheet” before you use this Product.

Go to [www.fluke.com](http://www.fluke.com) to register your product, download manuals, and find more information.



# Basic Operation

**1**

Internal Trigger

FPM 1000

FLUKE 620 STROBOSCOPE

**2**

FPM = Flashes/Minute  
RPM = Revolutions/Minute

**3**

$\div 2$  /  $\times 2$

Internal Trigger

FPM 2000

FLUKE 620 STROBOSCOPE

Any reference point on shaft.

**4**

Internal Trigger

FPM 1800

RPM 1800 = FPM 1800

**5**

Internal Trigger

FPM 1776

RPM 1776 = FPM 1776

**6**

Internal Trigger

FPM 3552

**7**

Internal Trigger

FPM 1776

**Motor Nameplate**

MODEL NO.	
RPM	1800
AMP	
HZ	
SFA	
BRGS	