



Chipsmall Limited consists of a professional team with an average of over 10 year of expertise in the distribution of electronic components. Based in Hongkong, we have already established firm and mutual-benefit business relationships with customers from,Europe,America and south Asia,supplying obsolete and hard-to-find components to meet their specific needs.

With the principle of “Quality Parts,Customers Priority,Honest Operation,and Considerate Service”,our business mainly focus on the distribution of electronic components. Line cards we deal with include Microchip,ALPS,ROHM,Xilinx,Pulse,ON,Everlight and Freescale. Main products comprise IC,Modules,Potentiometer,IC Socket,Relay,Connector.Our parts cover such applications as commercial,industrial, and automotives areas.

We are looking forward to setting up business relationship with you and hope to provide you with the best service and solution. Let us make a better world for our industry!



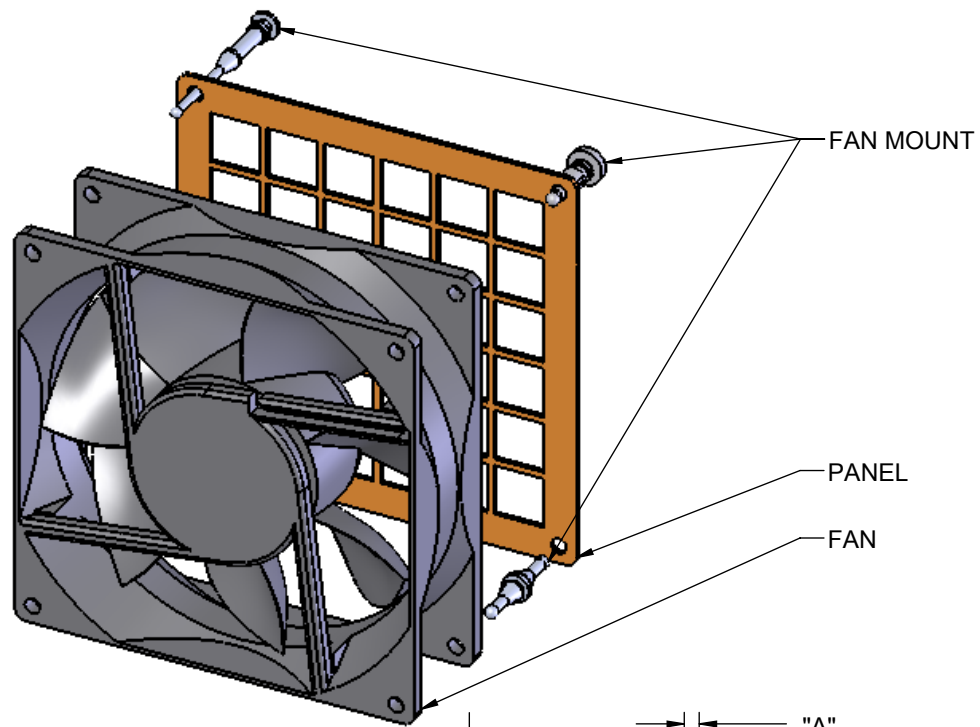
Contact us

Tel: +86-755-8981 8866 Fax: +86-755-8427 6832

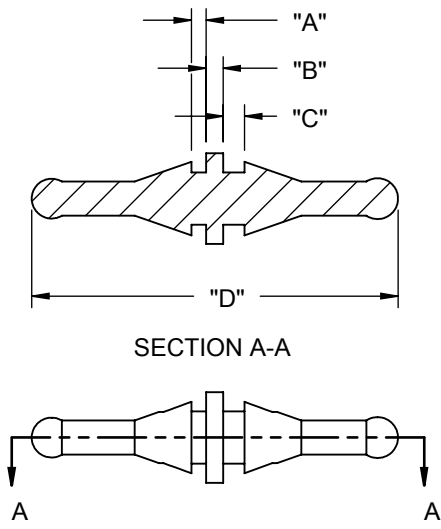
Email & Skype: info@chipsmall.com Web: www.chipsmall.com

Address: A1208, Overseas Decoration Building, #122 Zhenhua RD., Futian, Shenzhen, China



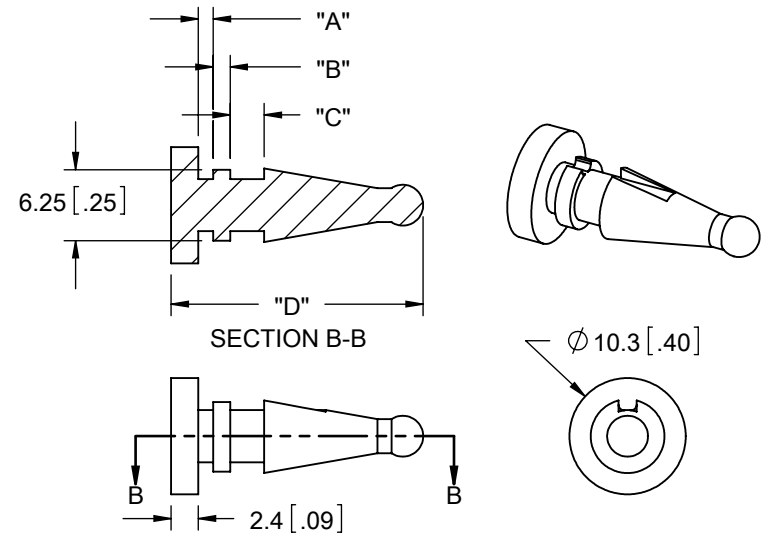


PART NO.	MATERIAL	COLOR	DIM. "A"	DIM. "B"	DIM. "C"	DIM. "D"	STYLE NO.
FM-1	EPDM RUBBER, 30 SHORE A (RMS-166)	BLACK	1.3 [.05]	1.5 [.06]	1.9 [.07]	32.3 [1.27]	1
FM-2	EPDM RUBBER, 40 SHORE A (RMS-180)	BLACK	1.3 [.05]	1.5 [.06]	1.9 [.07]	32.3 [1.27]	1
FM-3	EPDM RUBBER, 30 SHORE A (RMS-166)	BLACK	1.3 [.05]	1.5 [.06]	3 [.12]	22.2 [.88]	2
FM-4	EPDM RUBBER, 40 SHORE A (RMS-180)	BLACK	1.3 [.05]	1.5 [.06]	3 [.12]	22.2 [.88]	2
FM-5	SILICONE RUBBER, 35 SHORE A (RMS-316)	BLACK	0.7 [.03]	1.5 [.06]	18.5 [.73]	56 [2.20]	3
FM-6	SILICONE RUBBER, 35 SHORE A (RMS-316)	BLACK	2.5 [.10]	2 [.08]	14 [.55]	53.8 [2.12]	3
FM-7	SILICONE RUBBER, 35 SHORE A (RMS-316)	BLACK	0.7 [.03]	1.5 [.06]	24 [.94]	73 [2.87]	3



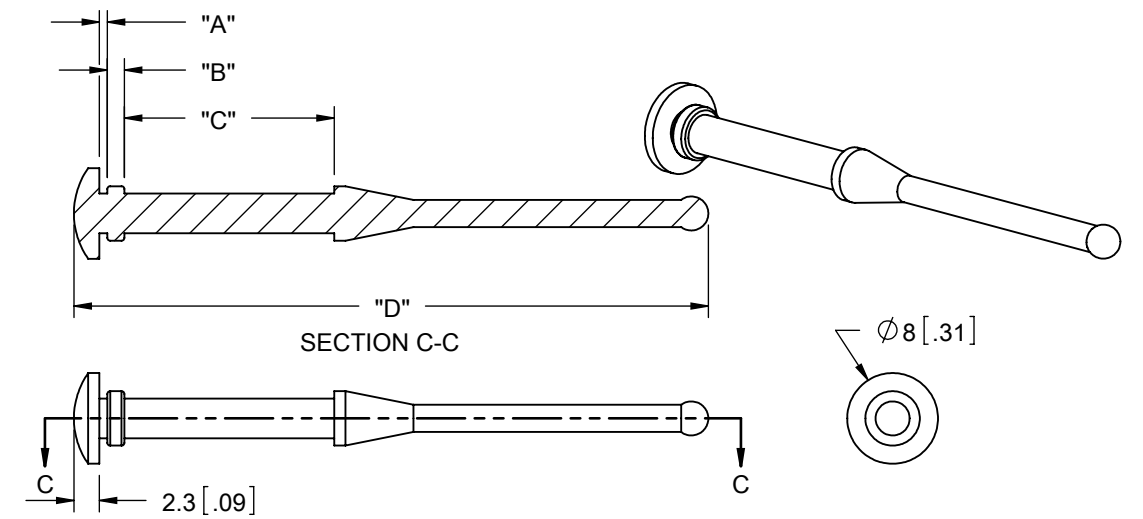
TO PULL THROUGH A $5 \pm 1 [.197 \pm .039]$ HOLE,
WITH MAXIMUM 1.4 [.055] PANEL AND 2 [.079] FAN THICKNESS

STYLE 1



TO PULL THROUGH A $5 \pm 1 [.197 \pm .039]$ HOLE,
WITH MAXIMUM 1.4 [.055] PANEL AND 3.1 [.122] FAN THICKNESS

STYLE 2



FM-5: TO PULL THROUGH A $3.5 \pm 1 [.138 \pm .039]$ HOLE,
WITH MAXIMUM 0.8 [.031] PANEL AND $20 \pm 0.5 [.787]$ FAN THICKNESS.

FM-6: TO PULL THROUGH A $4.3 \pm 0.2 [.161 \pm .008]$ HOLE,
WITH MAXIMUM 3 [.118] PANEL AND 15 [.591] FAN THICKNESS.

FM-7: TO PULL THROUGH A $3.5 \pm 1 [.138 \pm .039]$ HOLE,
WITH MAXIMUM 0.8 [.031] PANEL AND 25-28 [.98-1.10] FAN THICKNESS.

STYLE 3

NOTES:
1. ALTERNATE UNITS FOR REFERENCE ONLY

B	SEE CO 200074	SK	11/30/07
A	RELEASED FOR PRODUCTION, SEE ECN #1206	SK	08/11/06
REV.	DESCRIPTION	ENGR.	DATE

TITLE: FAN MOUNT				DWG IN mm [IN]		FINAL	
CREATED USING SOLIDWORKS	FILE #: FM-X	DWN: SK	APP: SK	FINAL			
TOLERANCES UNLESS NOTED 0-10=±0.1 10.01-30=±0.3 30.01-50=±0.5 ANG.=±1°	SHEET: 1 OF 1	SHEET SIZE: B	DT: 08/11/06	CHKD: SJ	PART #		PRINT TYPE
RE: RICHCO, INC.	RICHCO, INC. ENG@RICHCO-INC.COM (773) 539-4060		SEE TABLE		CA		