



Chipsmall Limited consists of a professional team with an average of over 10 year of expertise in the distribution of electronic components. Based in Hongkong, we have already established firm and mutual-benefit business relationships with customers from,Europe,America and south Asia,supplying obsolete and hard-to-find components to meet their specific needs.

With the principle of “Quality Parts,Customers Priority,Honest Operation,and Considerate Service”,our business mainly focus on the distribution of electronic components. Line cards we deal with include Microchip,ALPS,ROHM,Xilinx,Pulse,ON,Everlight and Freescale. Main products comprise IC,Modules,Potentiometer,IC Socket,Relay,Connector.Our parts cover such applications as commercial,industrial, and automotives areas.

We are looking forward to setting up business relationship with you and hope to provide you with the best service and solution. Let us make a better world for our industry!



Contact us

Tel: +86-755-8981 8866 Fax: +86-755-8427 6832

Email & Skype: info@chipsmall.com Web: www.chipsmall.com

Address: A1208, Overseas Decoration Building, #122 Zhenhua RD., Futian, Shenzhen, China



1 適用範囲

Scope

この規格は、FMB-G14 について適用する。
The present specifications shall apply to an FMB-G14L.

2 概要

Outline

種別 Type	ショットキーバリアダイオード Silicon Schottky Barrier Diode
構造 Structure	樹脂封止型 不燃化度：規格 UL94V-0 相当品 Resin Molded Flammability：UL94V-0 (Equivalent)
主用途 Applications	高周波整流 High Frequency Rectification

3 絶対最大定格

Absolute maximum ratings

No.	項目 Item	記号 Symbol	単位 Unit	定格 Rating	条件 Conditions
1	ピーク非繰返し逆電圧 Transient Peak Reverse Voltage	V_{RSM}	V	45	
2	ピーク繰返し逆電圧 Peak Reverse Voltage	V_{RM}	V	40	
3	平均順電流 Average Forward Current	$I_{F(AV)}$	A	3.0	$T_c \leq 137^\circ\text{C}$, Sinewave
4	サージ順電流 Peak Surge Forward Current	I_{FSM}	A	60	10msec. 正弦半波単発 half sinewave, one shot
5	I^2t 限界値 I^2t Limiting Value	I^2t	A^2s	18	$1\text{msec} \leq t \leq 10\text{msec}$
6	接合部温度 Junction Temperature	T_j	$^\circ\text{C}$	-40 ~ +150	
7	保存温度 Storage Temperature	T_{stg}	$^\circ\text{C}$	-40 ~ +150	
8	絶縁耐圧 Dielectric Strength		kV	A.C.1.0	リード・ケース間 (1 分間) Junction and case (1min)

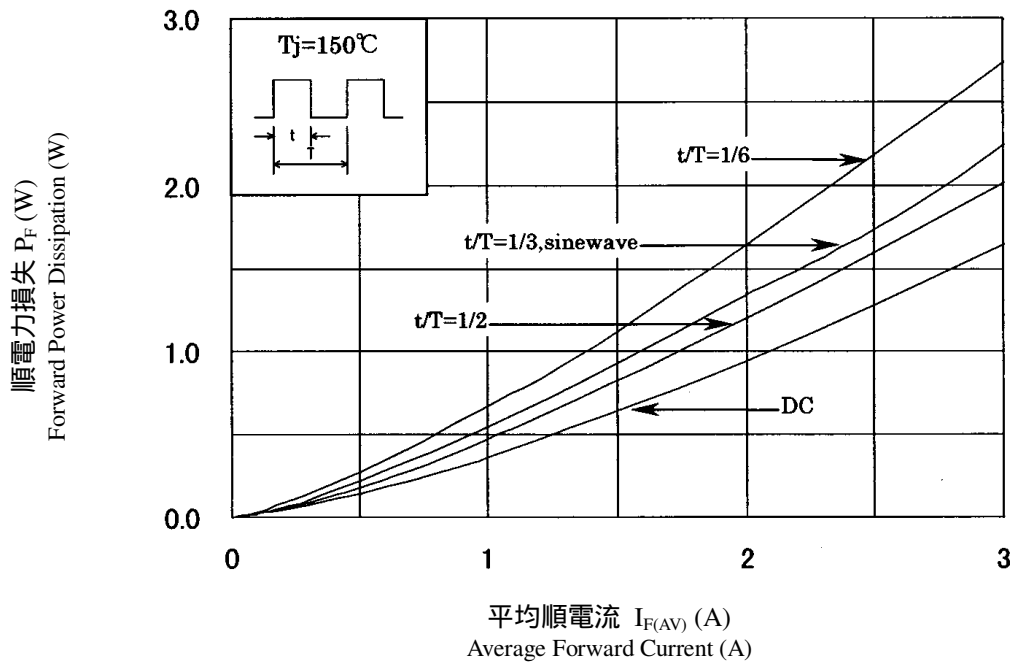
4 電気的特性

Electrical characteristics

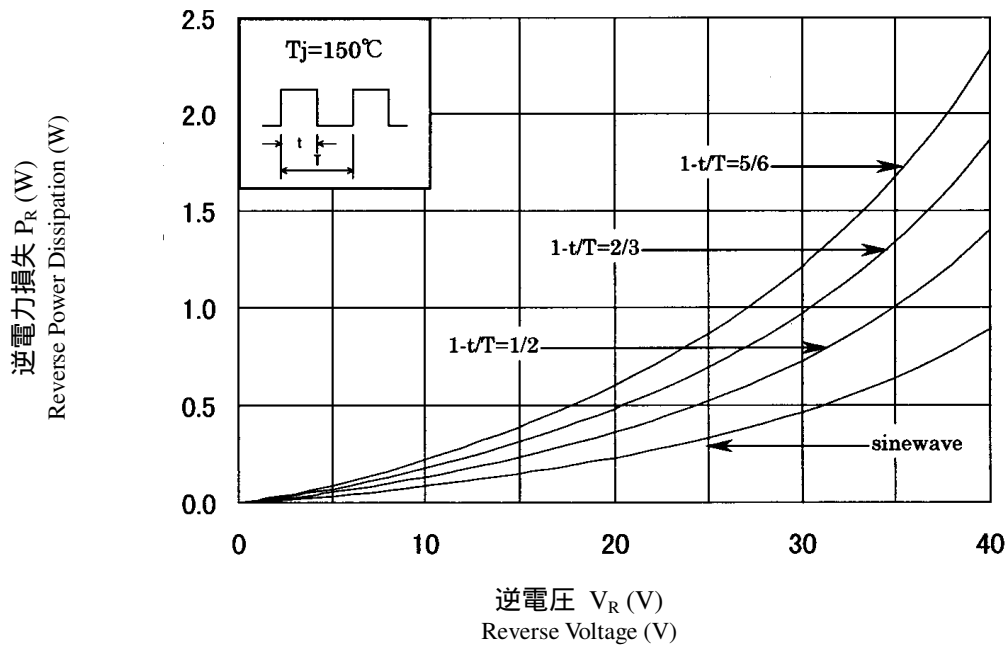
No.	項目 Item	記号 Symbol	単位 Unit	特性 Value	条件 Conditions
1	順方向降下電圧 Forward Voltage Drop	V_F	V	0.60 max.	$I_F = 3.0\text{A}$
2	逆方向漏れ電流 Reverse Leakage Current	I_R	mA	2.0 max.	$V_R = V_{RM}$
3	高温逆方向漏れ電流 Reverse Leakage Current Under High Temperature	$H \cdot I_{R1}$	mA	20 max.	$V_R = V_{RM}$, $T_j = 125^\circ\text{C}$
		$H \cdot I_{R2}$	mA	70 max.	$V_R = V_{RM}$, $T_j = 150^\circ\text{C}$
4	熱抵抗 Thermal Resistance	$R_{th(j-c)}$	$^\circ\text{C}/\text{W}$	4.0 max.	接合部- 裏面取付穴周辺部間 Between Junction and case

5 特性
Characteristics

平均順電流—順電力損失
 $I_{F(AV)} - P_F$



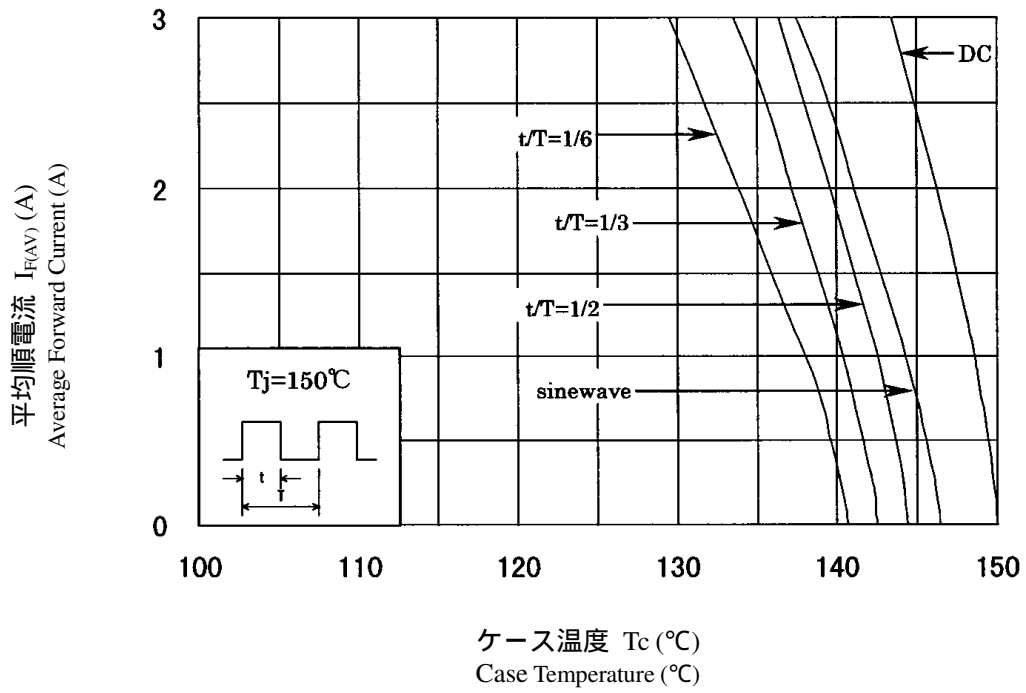
逆電圧—逆電力損失
 $V_R - P_R$



6 減定格
Derating

ケース温度—平均順電流
 $T_c - I_{F(AV)}$

$V_R=40(V)$

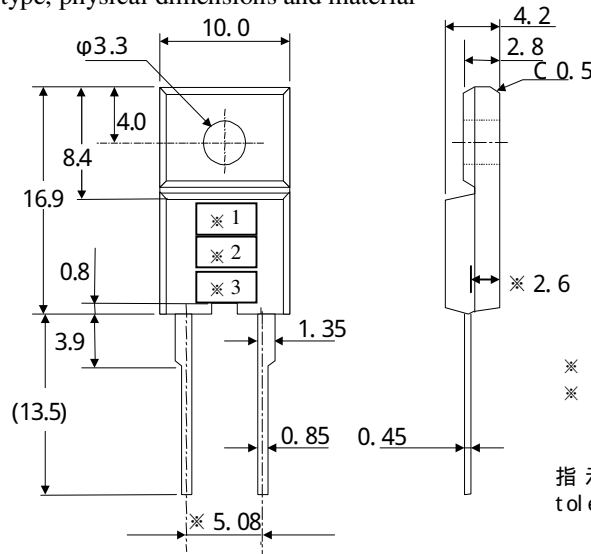


7 外形

Package information

7-1 外形、寸法および材質

Package type, physical dimensions and material



※ : 根元寸法
 ※ : root dimension

指示なき公差 ± 0.2
 tolerance - ± 0.2

単位 mm
 Dimensions in mm

7-2 外観

Appearance

本体は、汚れ、傷、亀裂等なく綺麗であること。

The body shall be clean and shall not bear any stain, rust or flaw.

7-3 標示

Marking

品名 Type Name	標 示 Marking		
	*1 品名 Type Name	*2 極性 Polarity	*3 ロット番号 Lot number
FMB-G14	FMBG14	L	第1文字：年(西暦年号下一桁) 1st letter: Last digit of year 第2文字：月 1~9月→1~9 2nd letter: Month From 1 to 9 for Jan. to Sep., 10月→O、11月→N、12月→D O for Oct., N for Nov., D for Dec. 第3,4文字：日 3rd & 4th letter: Day 例：4323 (2004年3月23日製造) ex. 4323 (Mar. 23, 2004)