



Chipsmall Limited consists of a professional team with an average of over 10 year of expertise in the distribution of electronic components. Based in Hongkong, we have already established firm and mutual-benefit business relationships with customers from,Europe,America and south Asia,supplying obsolete and hard-to-find components to meet their specific needs.

With the principle of "Quality Parts,Customers Priority,Honest Operation,and Considerate Service",our business mainly focus on the distribution of electronic components. Line cards we deal with include Microchip,ALPS,ROHM,Xilinx,Pulse,ON,Everlight and Freescale. Main products comprise IC,Modules,Potentiometer,IC Socket,Relay,Connector.Our parts cover such applications as commercial,industrial, and automotives areas.

We are looking forward to setting up business relationship with you and hope to provide you with the best service and solution. Let us make a better world for our industry!



Contact us

Tel: +86-755-8981 8866 Fax: +86-755-8427 6832

Email & Skype: info@chipsmall.com Web: www.chipsmall.com

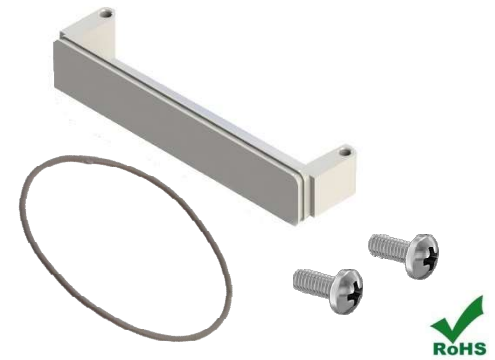
Address: A1208, Overseas Decoration Building, #122 Zhenhua RD., Futian, Shenzhen, China



FMC & PMC Mezzanine Cards describes a specification of I/O mezzanine modules in conjunction with FPGA or another device with configurable I/O capability. The design allows use on any industry standard slot card with form factors such as VME, VPX, CompactPCI, AdvancedTCA, MicroTCA, PCI, PXI, and many others.. Wakefield-Vette can customize your specific application needs for custom FMC & PMC Bezels.

Features:

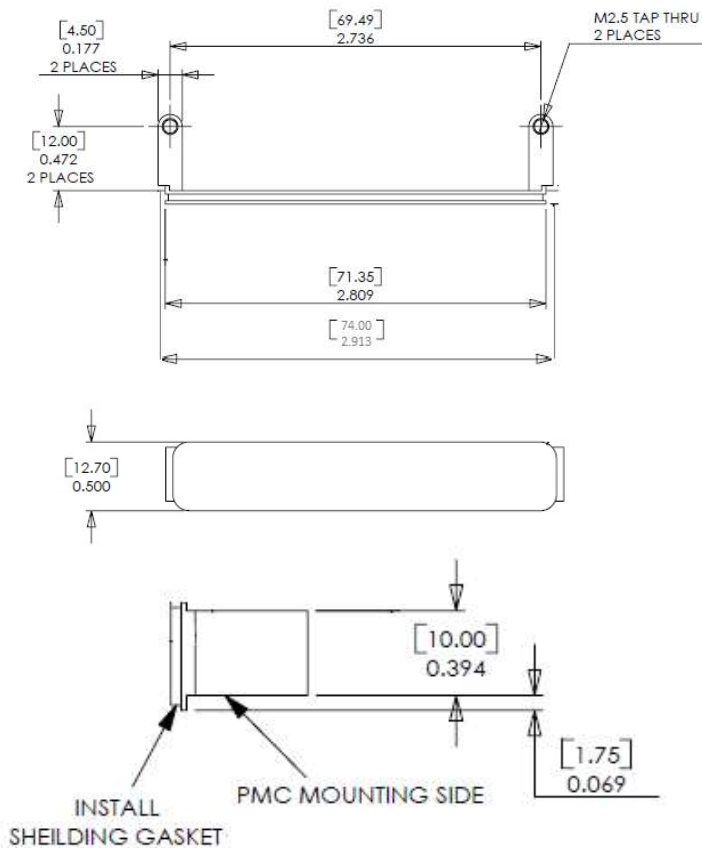
- Material: Aluminum
- Kit: Bezel, Elastomer Gasket, Two M2.5 x 6mm PH Stainless Steel Screws
- Custom cutouts, silkscreen or overlays available



WV Part Number	Description	Kit Description	Size
PMC-BEZEL-KIT-01	Aluminum PMC Bezel Kit (1050056-00)	PMC Bezel, Elastomer Gasket, Qty. Two M2.5 x 6mm Screws	0.659" L x 0.500" W x 2.913" H (16.75mm x 12.70mm x 74.00mm)
FMC-BEZEL-KIT-01	Aluminum FMC Bezel Kit (1050117-00)	FMC Bezel, Elastomer Gasket, Qty. Two M2.5 x 6mm Screws	0.659" L x 0.500" W x 2.404" H (16.75mm x 12.70mm x 61.00mm)
PMC-GASKET-01	PMC EMC GASKET O RING (1070010-00)	Spare, Replacement Component	
FMC-GASKET-01	FMC EMC GASKET O RING (1070036-00)	Spare, Replacement Component	

PMC-BEZEL-KIT-01

Kit with PMC Gasket & Mounting Hardware



FMC-BEZEL-KIT-01

Kit with FMC Gasket & Mounting Hardware

