



Chipsmall Limited consists of a professional team with an average of over 10 year of expertise in the distribution of electronic components. Based in Hongkong, we have already established firm and mutual-benefit business relationships with customers from,Europe,America and south Asia,supplying obsolete and hard-to-find components to meet their specific needs.

With the principle of “Quality Parts,Customers Priority,Honest Operation,and Considerate Service”,our business mainly focus on the distribution of electronic components. Line cards we deal with include Microchip,ALPS,ROHM,Xilinx,Pulse,ON,Everlight and Freescale. Main products comprise IC,Modules,Potentiometer,IC Socket,Relay,Connector.Our parts cover such applications as commercial,industrial, and automotives areas.

We are looking forward to setting up business relationship with you and hope to provide you with the best service and solution. Let us make a better world for our industry!



Contact us

Tel: +86-755-8981 8866 Fax: +86-755-8427 6832

Email & Skype: info@chipsmall.com Web: www.chipsmall.com

Address: A1208, Overseas Decoration Building, #122 Zhenhua RD., Futian, Shenzhen, China



PART NUMBER CODING
MC05DRTN-S1682

| REVISIONS | | | | |
|-----------|---------|-------------------------------|-----------|----|
| REV. | ECO. NO | DESCRIPTION | DATE | BY |
| B | 2779 | UPDATE OPERATING VOLTAGE NOTE | 5/22/2013 | JH |
| C | 2834 | ADD 'X' MATERIAL OPTION | 8/30/2013 | JH |

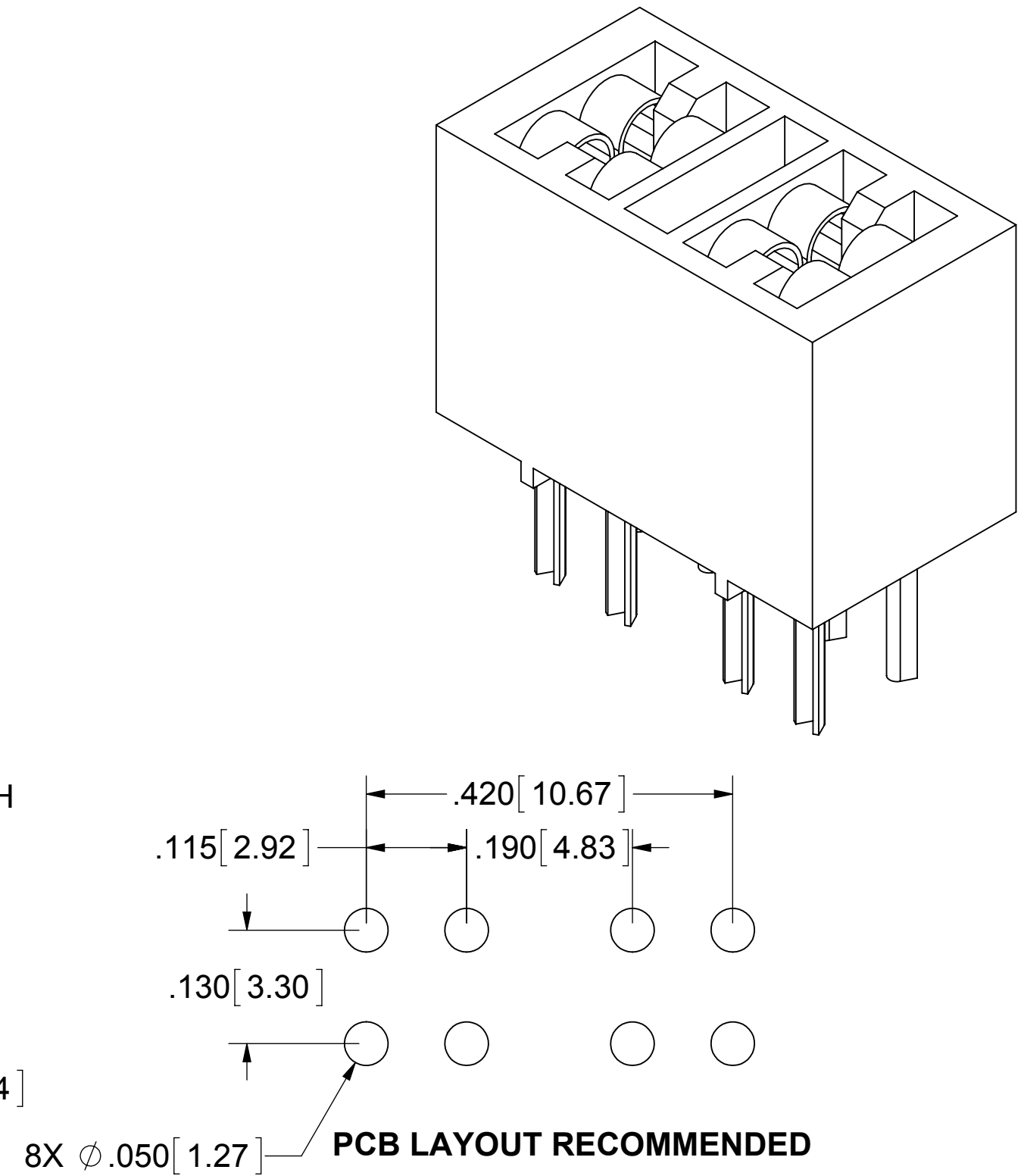
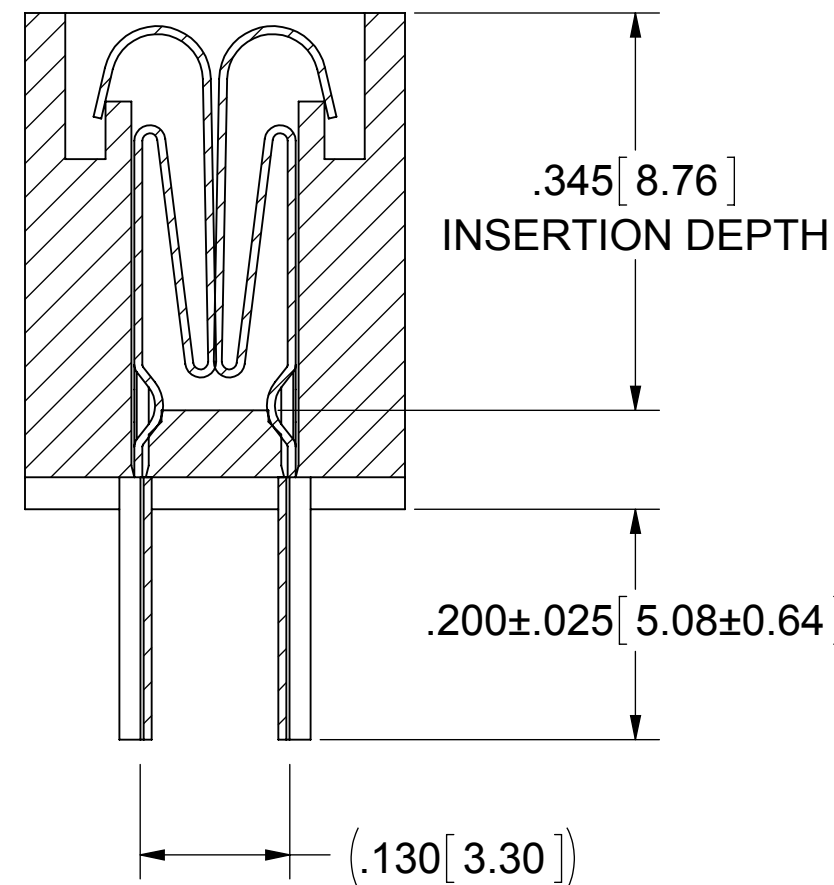
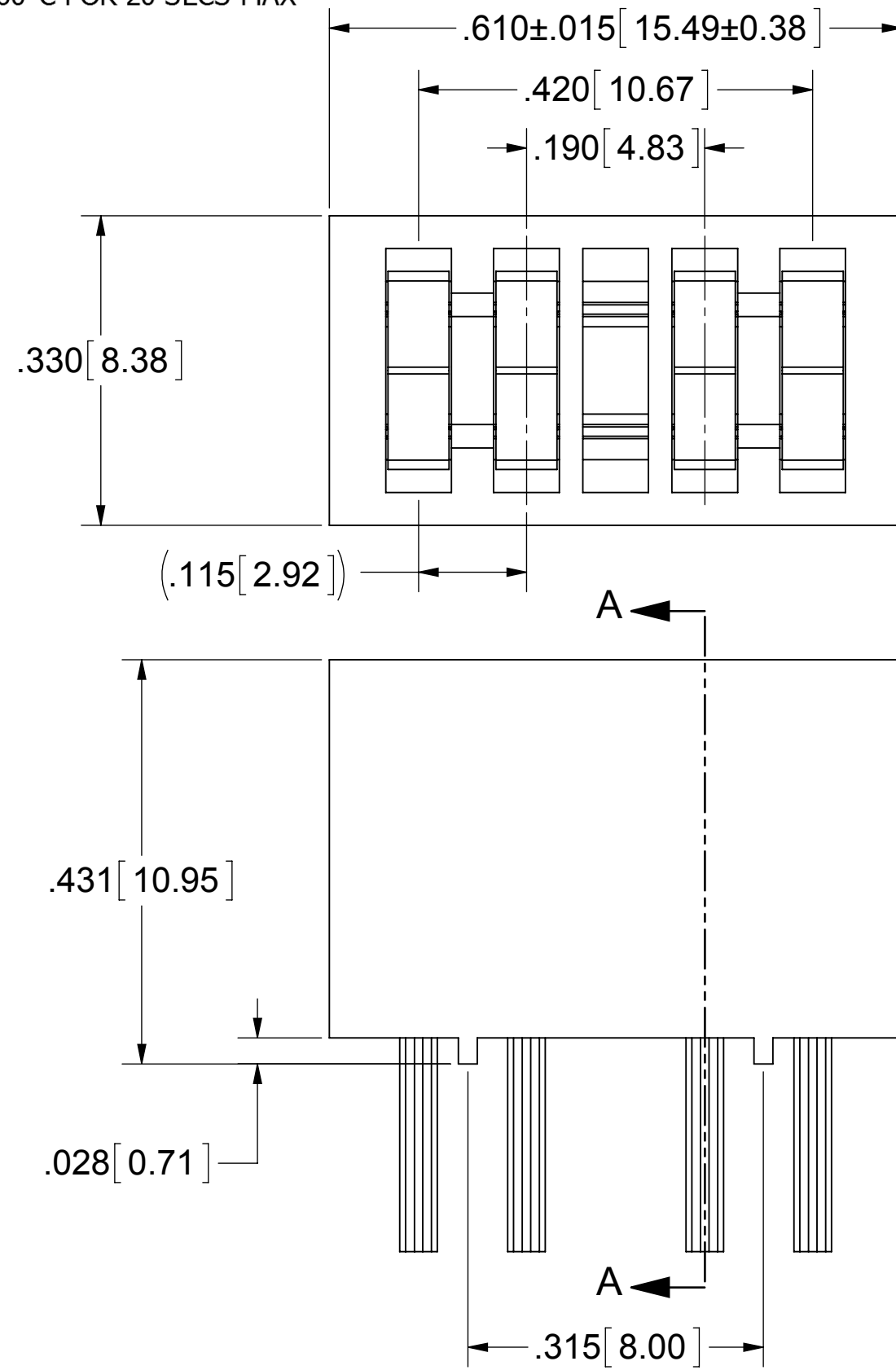
MATERIALS (INSULATOR / CONTACT)

F = BROWN PPS / SPINODAL

OPERATING TEMP: -65°C TO +200°C
 PROCESSING TEMP: 260°C FOR 20 SECS MAX

X = NATURAL BROWN PEEK / SPINODAL

OPERATING TEMP: -65°C TO +200°C
 PROCESSING TEMP: 260°C FOR 20 SECS MAX



NOTES:

- INSULATOR MATERIAL: SEE PART NUMBER CODING
- CONTACT MATERIAL: SEE PART NUMBER CODING
- PLATING: .000050" MIN NICKEL UNDERPLATE
 CONTACT SURFACE: .000030" GOLD
 TERMINATION: .000010" GOLD OVERALL
- OPERATING TEMPERATURE: SEE PART NUMBER CODING
- PROCESSING TEMP: SEE PART NUMBER CODING
 (CONSULT FACTORY FOR SPECIAL SOLDERING REQUIREMENT)
- UL FLAMMABILITY RATING: 94V-0
- OPERATING VOLTAGE: 1200 VAC MINIMUM AT SEA LEVEL
- CURRENT RATING: 3 AMP
- CONTACT RESISTANCE: 30 MILLI OHMS MAX
- INSULATION RESISTANCE: 5000 MEGA OHMS
- DURABILITY: 500 CYCLES MIN
- CONNECTOR IDENTIFICATION: THE PART SHALL BE MARKED WITH A PART NUMBER AND LOT CODE
- MODIFICATION: CONTACT CENTERS .095"/.115", OMIT CONTACTS IN CENTER POSITION FOR HIGHER VOLTAGE, SHORTING CONTACTS, .130" ROW SPACING. TRIM TAIL TO .200±.025" FROM STANDOFF, .345" INSERTION DEPTH.



RoHS COMPLIANT

| | | | | | | |
|--|-----------|--------------|----------|------|--|--|
| UNLESS OTHERWISE SPECIFIED: DIMENSIONS ARE IN INCHES [MM] | | DRAWN | DATE | NAME | | |
| | | | 2/1/2012 | JH | | |
| TOLERANCES: | | | | | THE INFORMATION HEREIN CONTAINS PROPRIETARY INFORMATION OF SULLINS ELECTRONICS AND IS NOT TO BE REPRODUCED, USED OR DISCLOSED TO OTHERS FOR ANY PURPOSE EXCEPT AS SPECIFICALLY AUTHORIZED IN WRITING BY AN OFFICER OF SULLINS ELECTRONICS. | |
| ANGULAR: ± 1° | | | | | | |
| DECIMALS .XX= ± .02 [.5] .XXX= ± .005 [.13] .XXXX= ± .0005 [.013] | | | | | | |
| | | TITLE | | | TO-220 & 247 SOCKET | |
| | | PART NUMBER | | | _MC05DRTN-S1682 | |
| SIZE | CAGE CODE | DWG. NO. | REV | | | |
| C | 54453 | C12159 | C | | | |
| SCALE: 6:1 | | SHEET 1 OF 1 | | | | |

CUSTOMER COPY