



Chipsmall Limited consists of a professional team with an average of over 10 year of expertise in the distribution of electronic components. Based in Hongkong, we have already established firm and mutual-benefit business relationships with customers from,Europe,America and south Asia,supplying obsolete and hard-to-find components to meet their specific needs.

With the principle of “Quality Parts,Customers Priority,Honest Operation,and Considerate Service”,our business mainly focus on the distribution of electronic components. Line cards we deal with include Microchip,ALPS,ROHM,Xilinx,Pulse,ON,Everlight and Freescale. Main products comprise IC,Modules,Potentiometer,IC Socket,Relay,Connector.Our parts cover such applications as commercial,industrial, and automotives areas.

We are looking forward to setting up business relationship with you and hope to provide you with the best service and solution. Let us make a better world for our industry!



Contact us

Tel: +86-755-8981 8866 Fax: +86-755-8427 6832

Email & Skype: info@chipsmall.com Web: www.chipsmall.com

Address: A1208, Overseas Decoration Building, #122 Zhenhua RD., Futian, Shenzhen, China



1 適用範囲

Scope

この規格は、FMJ-2303 について適用する。

The present specifications shall apply to Sanken silicon diode, FMJ-2303.

2 概要

Outline

種 別 Type	ショットキーバリアダイオード Silicon Schottky Barrier Diode		
構 造 Structure	樹脂封止型 Resin Molded	不燃化度：規格 UL94V - 0 相当品 Flammability : UL94V-0 (Equivalent)	
主 用 途 Applications	高周波整流 High Frequency Rectification		

3 絶対最大定格

Absolute maximum ratings

No.	項 目 Item	記号 Symbol	単位 Unit	定 格 Rating	条 件 Conditions
1	ピーク非繰返し逆電圧 Transient Peak Reverse Voltage	V_{RSM}	V	30	
2	ピーク繰返し逆電圧 Peak Reverse Voltage	V_{RM}	V	30	
3	平均順電流 Average Forward Current	$I_{F(AV)}$	A	30	減定格 6 項参照 Refer to Derating of 6
4	サージ順電流 Peak Surge Forward Current	I_{FSM}	A	150	10msec. 正弦半波単発 Half sinewave, one shot
5	I^2t 限界値 I^2t Limiting Value	I^2t	A^2s	112.5	
6	接合部温度 Junction Temperature	T_j	°C	-40 ~ +150	
7	保存温度 Storage Temperature	T_{stg}	°C	-40 ~ +150	
8	絶縁耐圧 Dielectric Strength		kV	A.C. 1.0	リードケース間(1 分間) Junction to case (1minute)

No.1,2,4,5 は一素子当たりの定格を示す。

No.1,2,4&5 show ratings per one chip.

4 電気的特性 (特に指定の無い場合は、25°Cとする。)

Electrical characteristics ($T_a=25^\circ\text{C}$, unless otherwise specified)

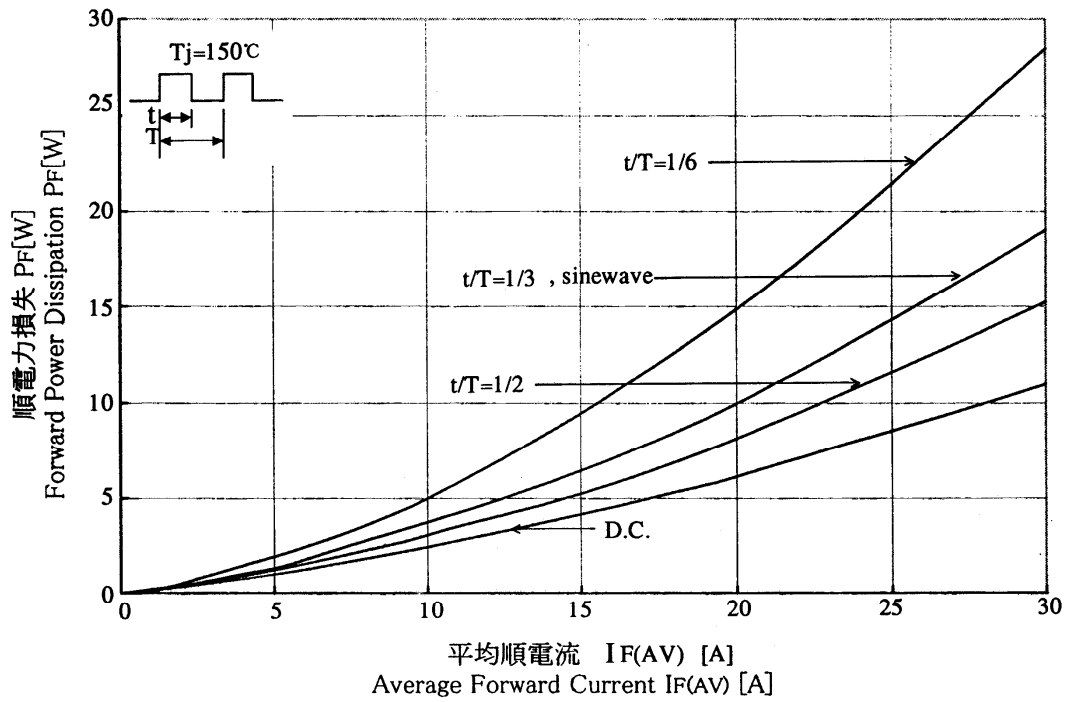
No.	項 目 Item	記号 Symbol	単位 Unit	特 性 Value	条 件 Conditions
1	順方向降下電圧 Forward Voltage Drop	V_F	V	0.48 max.	$I_F=15A$
2	逆方向漏れ電流 Reverse Leakage Current	I_R	mA	15 max.	$V_R=V_{RM}$
3	高温逆方向漏れ電流 Reverse Leakage Current Under High Temperature	$H \cdot I_R$	mA	500 max.	$V_R=V_{RM}, T_j=150^\circ\text{C}$
4	熱抵抗 Thermal Resistance	$R_{th(j-c)}$	°C/W	4.0 max.	接合部- 裏面取付け穴周辺部 Between Junction and case

No.1,2,3 は一素子当たりの特性を示す。

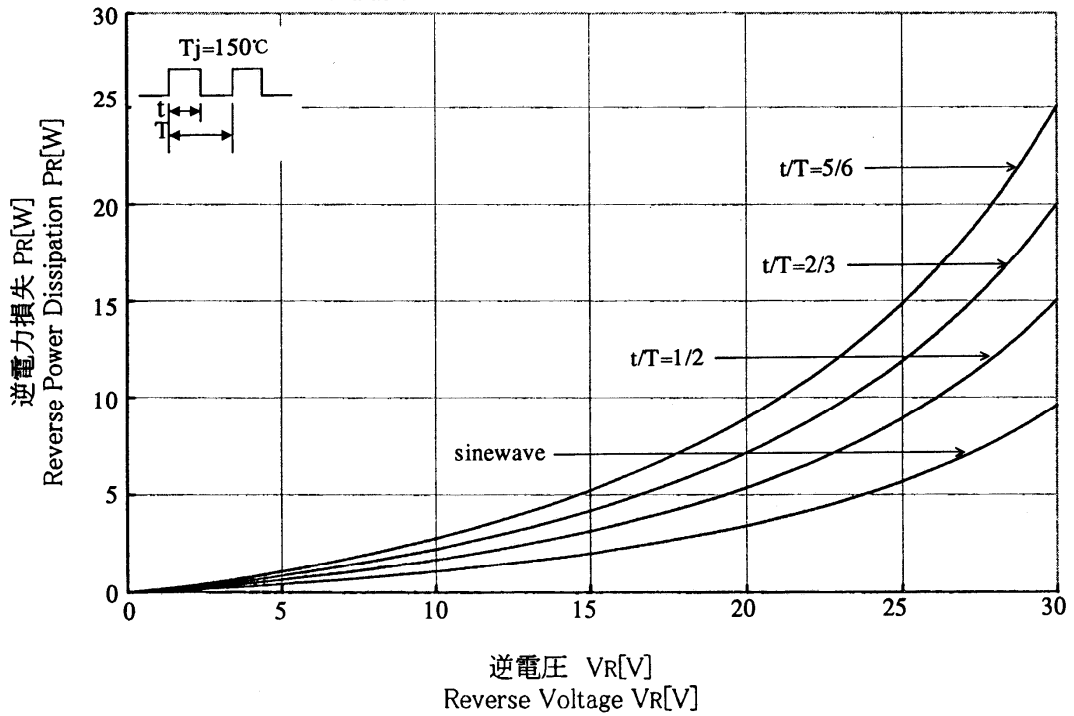
No.1,2,&3 show characteristics per one chip.

5 特性
Characteristics

$P_F - I_{F(AV)}$ 特性
Characteristics

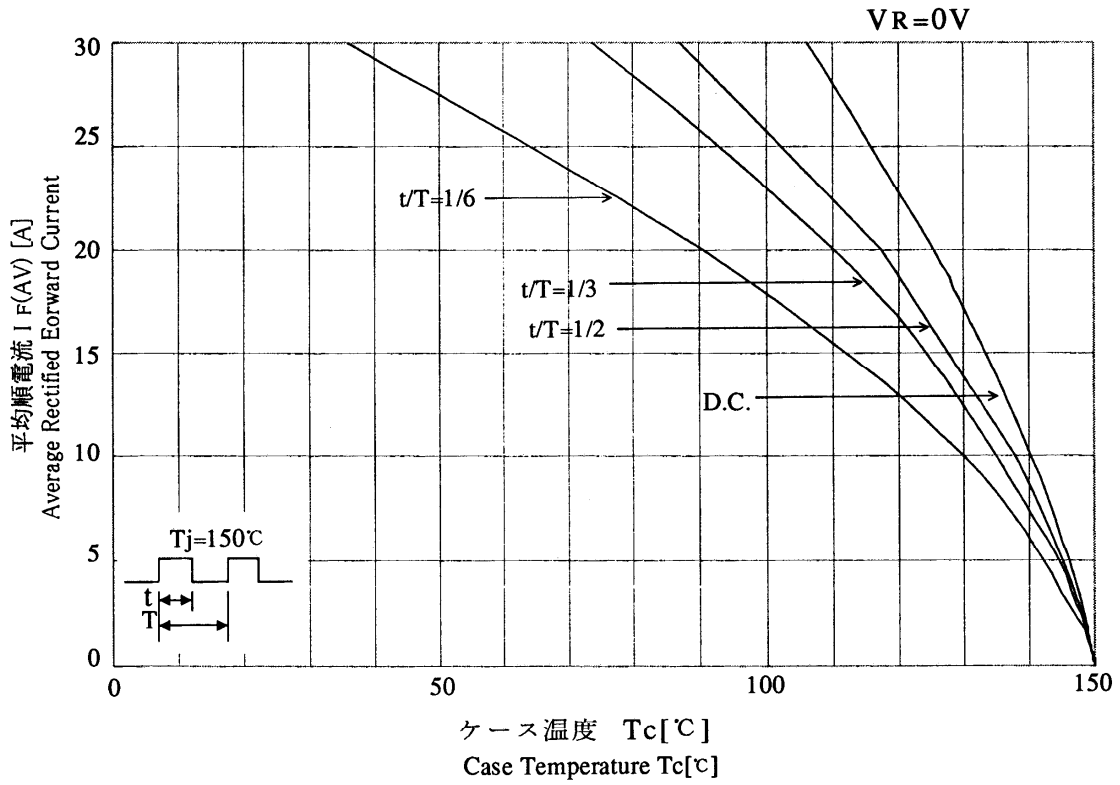


$V_R - P_R$ 特性
Characteristics

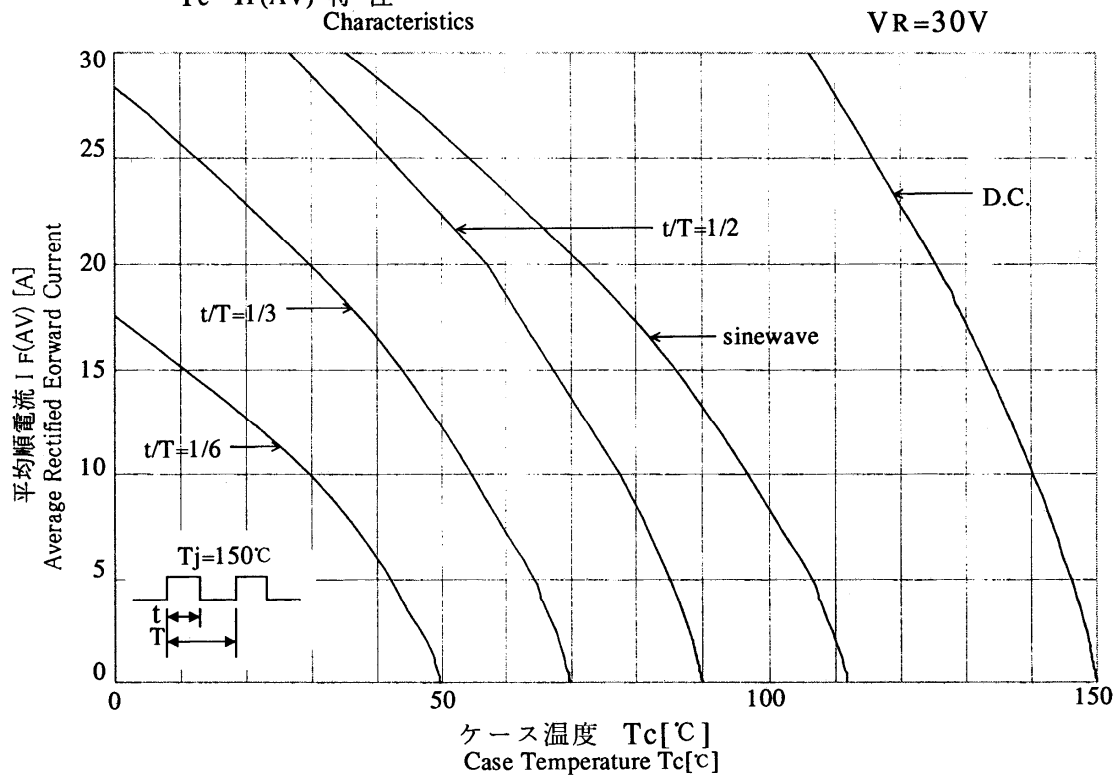


6 減定格
Derating

$T_c - I_{F(AV)}$ 特性
Characteristics



$T_c - I_{F(AV)}$ 特性
Characteristics

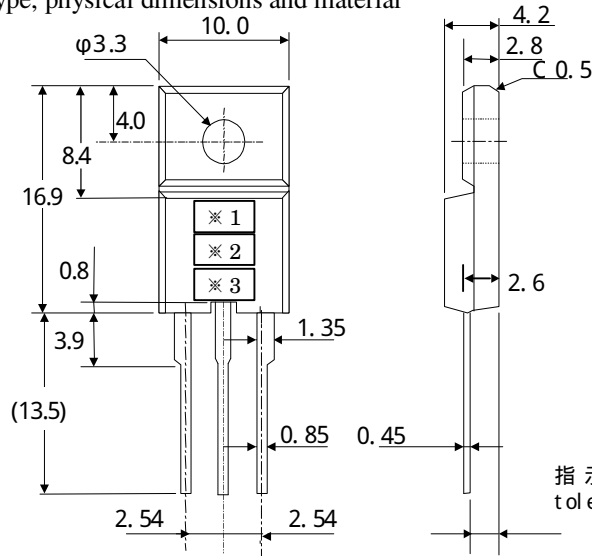


7 外形

Package information

7-1 外形、寸法および材質

Package type, physical dimensions and material



7-2 外観

Appearance

本体は、汚れ、傷、亀裂等なく綺麗であること。

The body shall be clean and shall not bear any stain, rust or flaw.

7-3 標示

Marking

品名 Type Name	標 示 Marking		
	*1 品名 Type Name	*2 極性 Polarity	*3 ロット番号 Lot number
FMJ-2303	J2303		第1文字：年(西暦年号下一桁) 1st letter: Last digit of year 第2文字：月 1~9月→1~9 2nd letter: Month From 1 to 9 for Jan. to Sep., 10月→O、11月→N、12月→D O for Oct., N for Nov., D for Dec. 第3,4文字：日 3rd & 4th letter: Day 例：4909 (2004年9月9日製造) ex.4909 (Sept. 9, 2004)