



Chipsmall Limited consists of a professional team with an average of over 10 year of expertise in the distribution of electronic components. Based in Hongkong, we have already established firm and mutual-benefit business relationships with customers from,Europe,America and south Asia,supplying obsolete and hard-to-find components to meet their specific needs.

With the principle of “Quality Parts,Customers Priority,Honest Operation,and Considerate Service”,our business mainly focus on the distribution of electronic components. Line cards we deal with include Microchip,ALPS,ROHM,Xilinx,Pulse,ON,Everlight and Freescale. Main products comprise IC,Modules,Potentiometer,IC Socket,Relay,Connector.Our parts cover such applications as commercial,industrial, and automotives areas.

We are looking forward to setting up business relationship with you and hope to provide you with the best service and solution. Let us make a better world for our industry!



Contact us

Tel: +86-755-8981 8866 Fax: +86-755-8427 6832

Email & Skype: info@chipsmall.com Web: www.chipsmall.com

Address: A1208, Overseas Decoration Building, #122 Zhenhua RD., Futian, Shenzhen, China

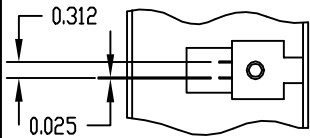


PART NAME

10" EXHAUST FAN

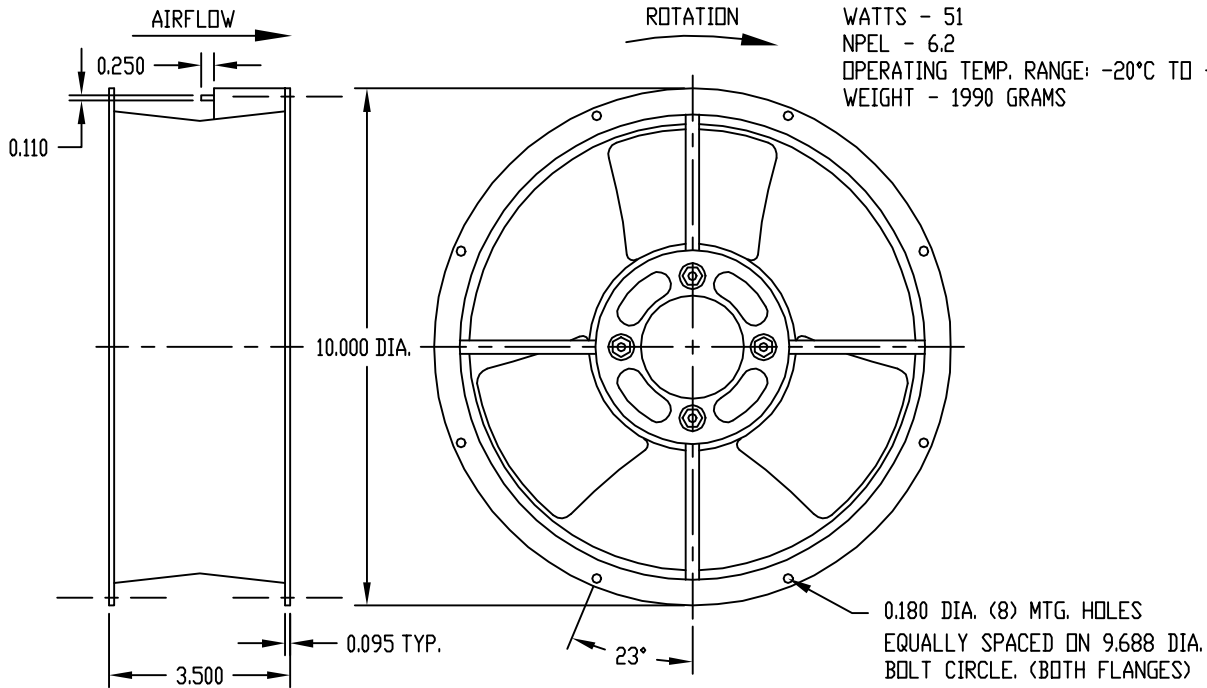
PART No.

FN-1282



FAN

HOUSING - ALUMINUM
 STRUTS on: - DISCH
 BEARING - BALL
 VOLTAGE - 115
 FREQUENCY - 50/60
 CFM - 535
 AMPS - .78/.70
 WATTS - 51
 NPEL - 6.2
 OPERATING TEMP. RANGE: -20°C TO +60°C
 WEIGHT - 1990 GRAMS

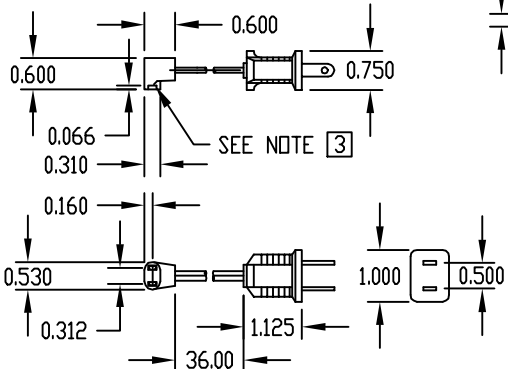
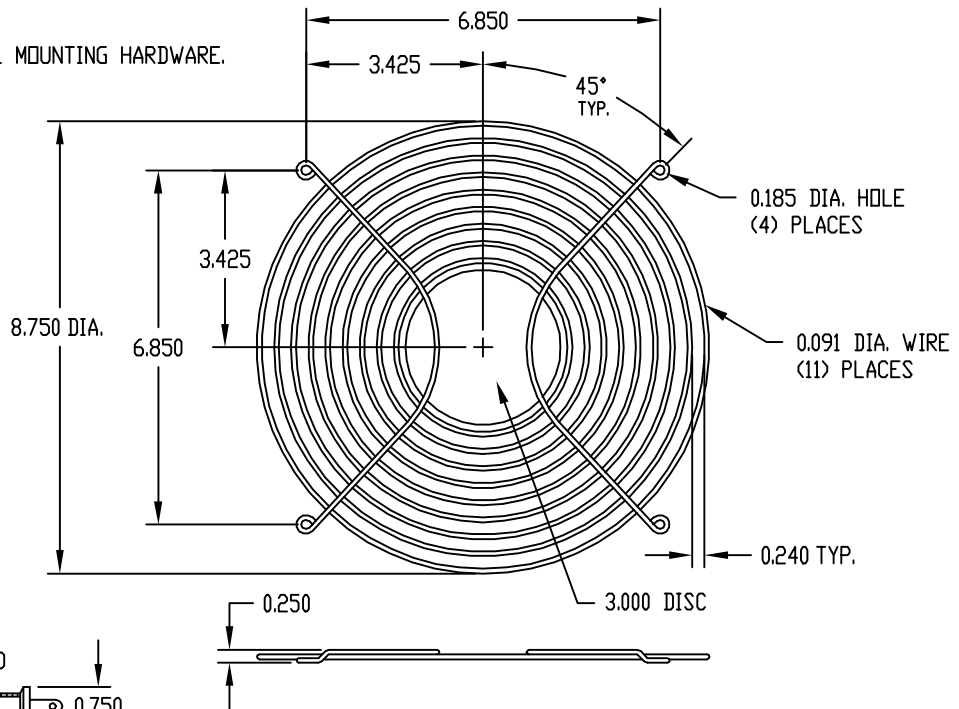


NOTE: SUPPLIED WITH ALL MOUNTING HARDWARE.

GUARD

MATERIAL: STEEL WIRE

FINISH: ZINC PLATED



FAN CORD

- [1] MATERIAL:
 - a) LEADS-SPT-1 18AWG 105° C. INSULATION. (COLOR BLACK)
 - b) PLUG-PVC UL 105° C. (COLOR BLACK)
 - c) TERMINAL-PHOSPHOR BRONZE
- [2] UL RATED-E61080, CSA APPROVED-LR35931
- [3] TERMINALS TO BE PRE-TINNED & MUST BE FREE OF FLASH.