



Chipsmall Limited consists of a professional team with an average of over 10 year of expertise in the distribution of electronic components. Based in Hongkong, we have already established firm and mutual-benefit business relationships with customers from,Europe,America and south Asia,supplying obsolete and hard-to-find components to meet their specific needs.

With the principle of “Quality Parts,Customers Priority,Honest Operation,and Considerate Service”,our business mainly focus on the distribution of electronic components. Line cards we deal with include Microchip,ALPS,ROHM,Xilinx,Pulse,ON,Everlight and Freescale. Main products comprise IC,Modules,Potentiometer,IC Socket,Relay,Connector.Our parts cover such applications as commercial,industrial, and automotives areas.

We are looking forward to setting up business relationship with you and hope to provide you with the best service and solution. Let us make a better world for our industry!



Contact us

Tel: +86-755-8981 8866 Fax: +86-755-8427 6832

Email & Skype: info@chipsmall.com Web: www.chipsmall.com

Address: A1208, Overseas Decoration Building, #122 Zhenhua RD., Futian, Shenzhen, China

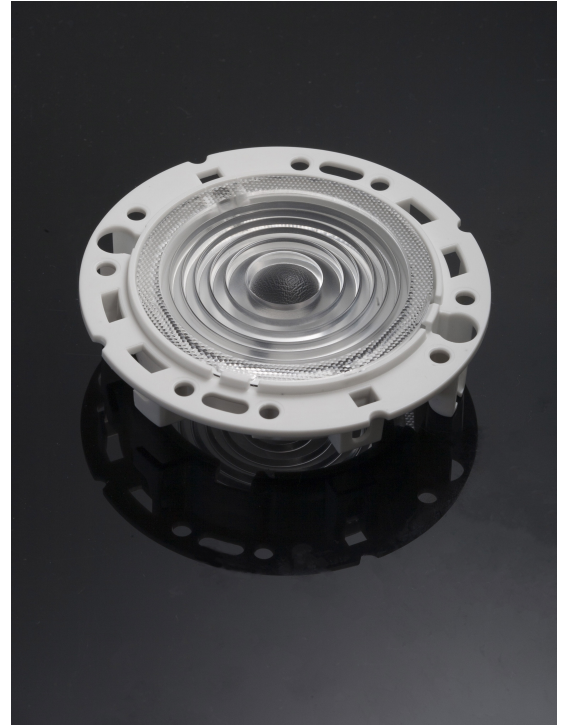


RONDA-S-B

~25° spot beam with holder B compatible with 3rd party connectors from BJB, IDEAL and Stucchi

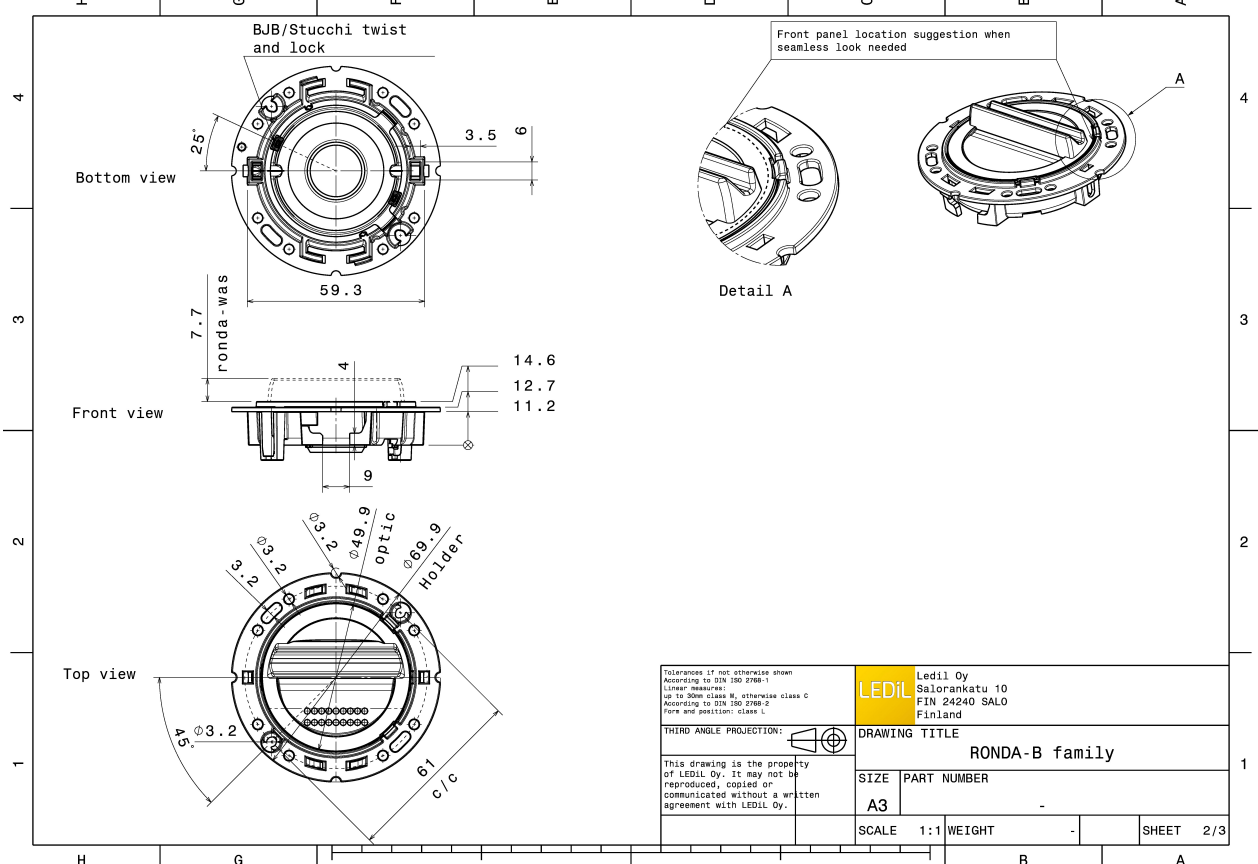
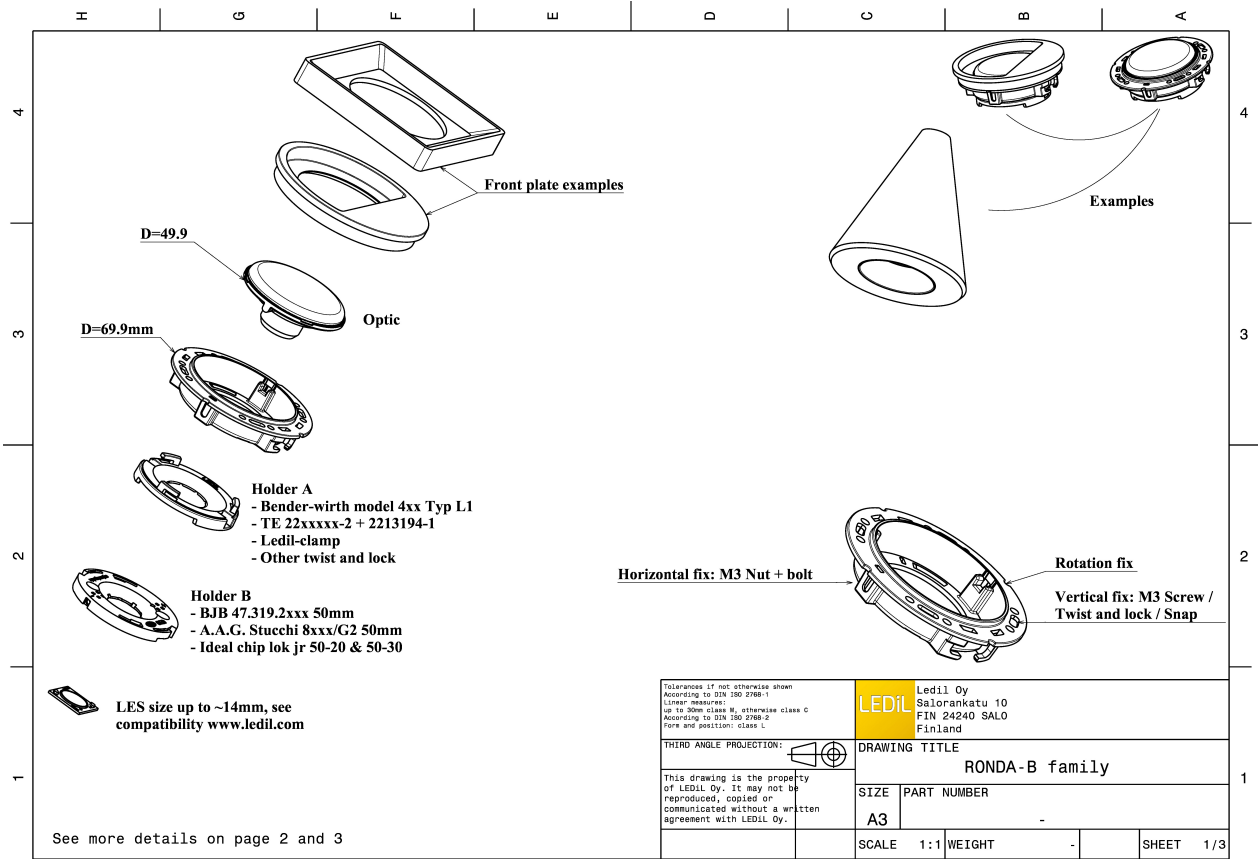
TECHNICAL SPECIFICATIONS:

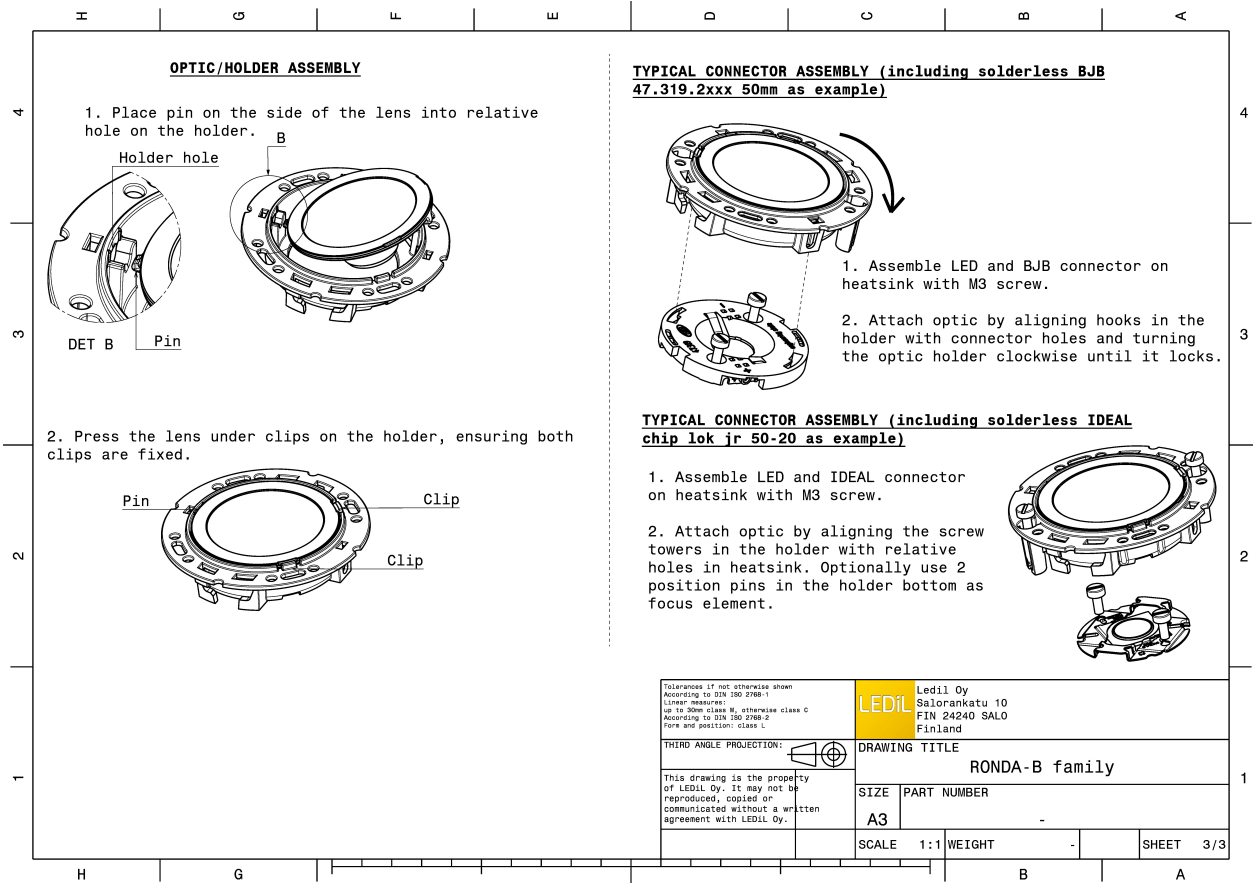
Dimensions	Ø 69.9 mm
Height	14.6 mm
Fastening	screw
Colour	white
Box size	
Box weight	0 kg
Quantity in Box	420 pcs
ROHS compliant	yes ⓘ




MATERIAL SPECIFICATIONS:

Component	Type	Material	Colour
RONDA-S	Lens	PMMA	clear
RONDA-HLD-B	Holder	PC	white



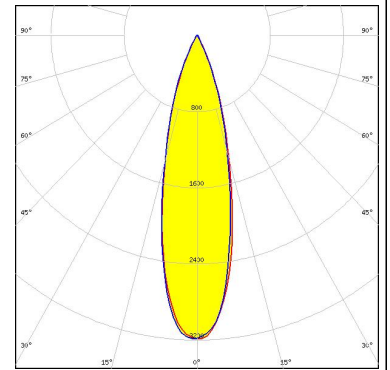


<small>Tolerances if not otherwise shown According to DIN 180 2780-1 Linear measures: up to 30mm class M, otherwise class C According to DIN 180 2780-2 Form and position: class L</small>		LEDiL Ledil Oy Salorankatu 10 FIN 24240 SALO Finland	
<small>THIRD ANGLE PROJECTION:</small> 		DRAWING TITLE RONDA-B family	
<small>This drawing is the property of LEDiL Oy. It may not be reproduced, copied or communicated without a written agreement with LEDiL Oy.</small>		SIZE A3	PART NUMBER -
		SCALE 1:1	WEIGHT -
			SHEET 3/3

PHOTOMETRIC DATA (SIMULATED):

bridgelux

LED V10 Gen7
FWHM 26.0°
Efficiency 84 %
Peak intensity 3.250 cd/lm
Required components:
IDEAL: 50-2002CT



CREE ⇄

LED CXA/B 15xx
FWHM 24.0°
Efficiency 85 %
Peak intensity cd/lm
Required components:
IDEAL: 50-2001CR

CREE ⇄

LED CXA/B 1816 & CXA/B 1820 & CXA 1850
FWHM 27.0°
Efficiency 85 %
Peak intensity cd/lm
Required components:
BJB: 47.319.2131

CREE ⇄

LED CXA/B 1816 & CXA/B 1820 & CXA 1850
FWHM 27.0°
Efficiency 85 %
Peak intensity cd/lm
Required components:
A.A.G. STUCCHI: 8403/G2

PHOTOMETRIC DATA (SIMULATED):

TRIDONIC

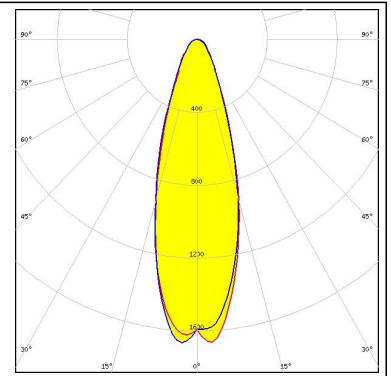
LED SLE G6 LES15 H D50

FWHM 32.0°

Efficiency 85 %

Peak intensity 1.670 cd/lm

Required components:



GENERAL INFORMATION:

NOTE: The typical beam angle will be changed by different color, chip size and chip position tolerance. The typical total beam angle is the full angle measured where the luminous intensity is half of the peak value.

Due to use of high power COB's with this product, special attention to proper thermal design is highly recommended. LEDiL has no liability for direct, indirect or consecutive damages arising from the LEDiL products being used outside of the recommended temperature range.

MATERIALS:

As part of our continuous research and improvement processes, and to ensure the best possible quality and availability of our products, LEDiL reserves the right to change material grades without notice.

PRODUCT DATA USER AGREEMENT AND DISCLAIMER:

The measured data in the provided downloadable LEDiL Product Datasheets and Mechanical 2D-Drawings is rounded and provided as reference for planning. LEDiL Oy's optical specifications have been verified by conducting performance testing of the products in accordance with the company's quality system. The reported data are averaged results of multiple measurements with typical variation. LEDiL Oy reserves the right to without prior notification make changes and improvements to its products.

LEDiL Oy assumes neither warranty, nor guarantee nor any other liability of any kind for the contents and correctness of the provided data. The provided data has been generated with highest diligence but the provided data may in reality not represent the complete possible variation range of all intrinsic parameters. Therefore, in certain cases a deviation from the provided data could occur.

LEDiL Oy reserves the right to undertake technical changes of its products without further notification which could lead to changes in the provided data. LEDiL Oy assumes no liability of any kind for the possible deviation from any provided data or any other damage resulting from the usage of the provided data.

The user agrees to this disclaimer and user agreement with the download or usage of the provided files.

LEDiL Oy

Joensuunkatu 13
FI-24240 SALO
Finland

LEDiL Inc.

228 West Page Street
Suite D
Sycamore IL 60178
USA

Local sales and technical support

www.ledil.com/where_to_buy

Shipping locations

Salo, Finland
Hong Kong, China

Distribution Partners

www.ledil.com/where_to_buy