



Chipsmall Limited consists of a professional team with an average of over 10 year of expertise in the distribution of electronic components. Based in Hongkong, we have already established firm and mutual-benefit business relationships with customers from,Europe,America and south Asia,supplying obsolete and hard-to-find components to meet their specific needs.

With the principle of “Quality Parts,Customers Priority,Honest Operation,and Considerate Service”,our business mainly focus on the distribution of electronic components. Line cards we deal with include Microchip,ALPS,ROHM,Xilinx,Pulse,ON,Everlight and Freescale. Main products comprise IC,Modules,Potentiometer,IC Socket,Relay,Connector.Our parts cover such applications as commercial,industrial, and automotives areas.

We are looking forward to setting up business relationship with you and hope to provide you with the best service and solution. Let us make a better world for our industry!



## Contact us

Tel: +86-755-8981 8866 Fax: +86-755-8427 6832

Email & Skype: info@chipsmall.com Web: www.chipsmall.com

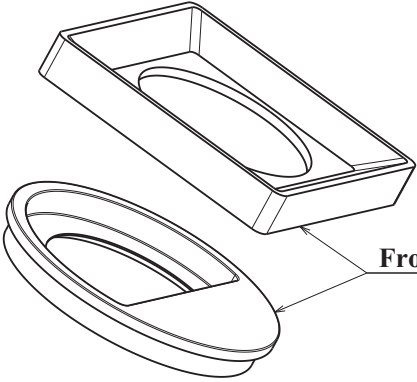
Address: A1208, Overseas Decoration Building, #122 Zhenhua RD., Futian, Shenzhen, China



H G F E D C B A

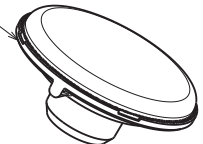
4

4



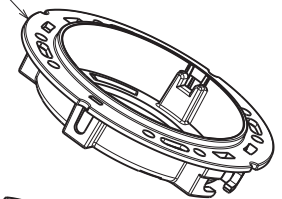
**Front plate examples**

D=49.9

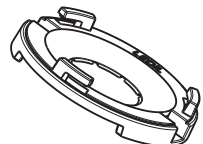


**Optic**

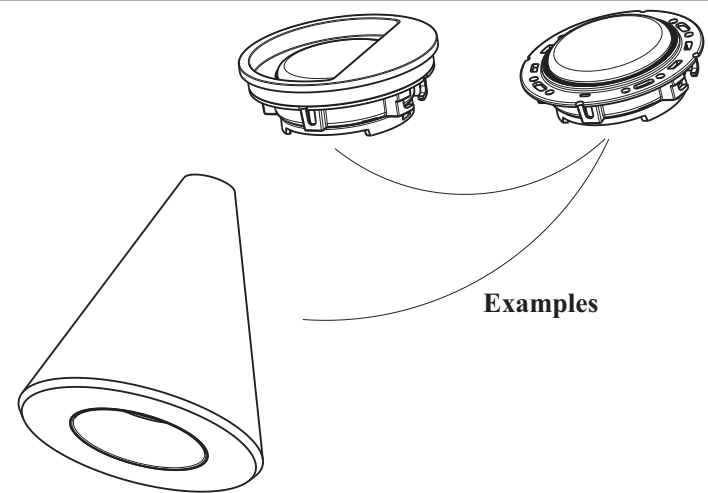
D=69.9mm



**Ledil-clamp / TE / Bender-wirth / other twist and lock socket types (holder A)**



**BJB and Stucchi 50mm (holder B)**



**Examples**

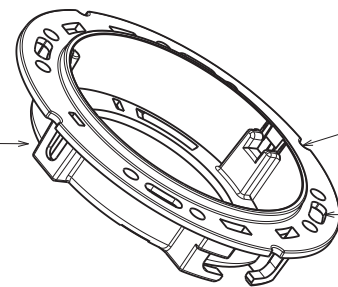
3

3

2

2

**Horizontal fix: M3 Nut + bolt**



**Rotation fix**

**Vertical fix: M3 Screw /  
Twist and lock / Snap**



**LES size up to ~14mm, see compatibility [www.ledil.com](http://www.ledil.com)**

See more details on page 2 and 3

Tolerances if not otherwise shown According to DIN ISO 2768-1 Linear measures: up to 30mm class M, otherwise class C According to DIN ISO 2768-2 Form and position: class L		Ledil Oy Salorankatu 10 FIN 24240 SALO Finland
THIRD ANGLE PROJECTION:		
This drawing is the property of LEDiL Oy. It may not be reproduced, copied or communicated without a written agreement with LEDiL Oy.		DRAWING TITLE <b>RONDA-family</b>
SIZE <b>A3</b>	PART NUMBER -	
SCALE 1:1	WEIGHT -	SHEET 1/3

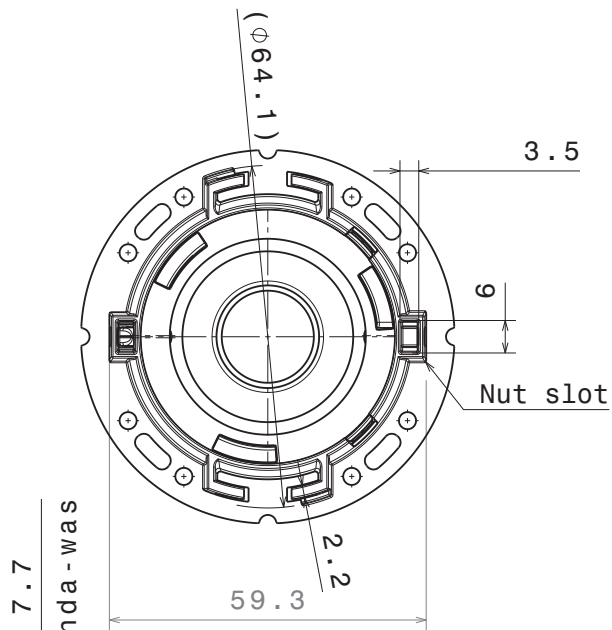
H G F E D C B A

1

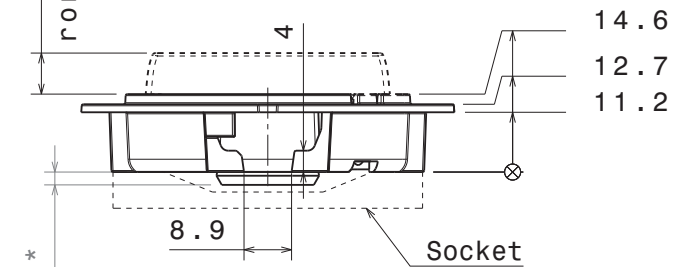
1



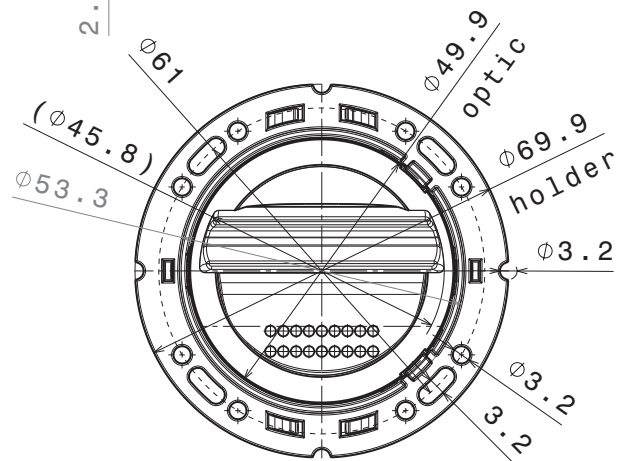
Bottom view



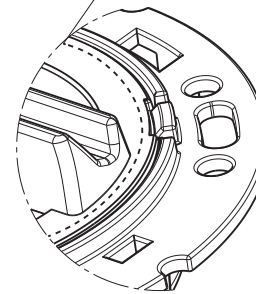
Front view



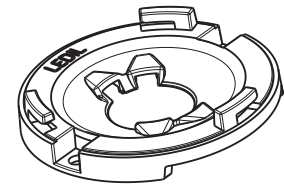
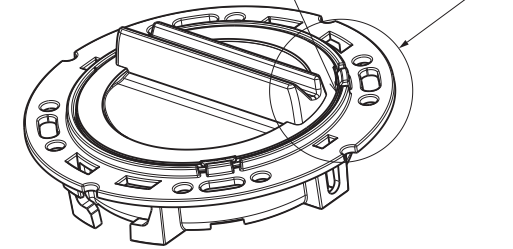
Top view



Front panel location suggestion when seamless look needed



Detail A



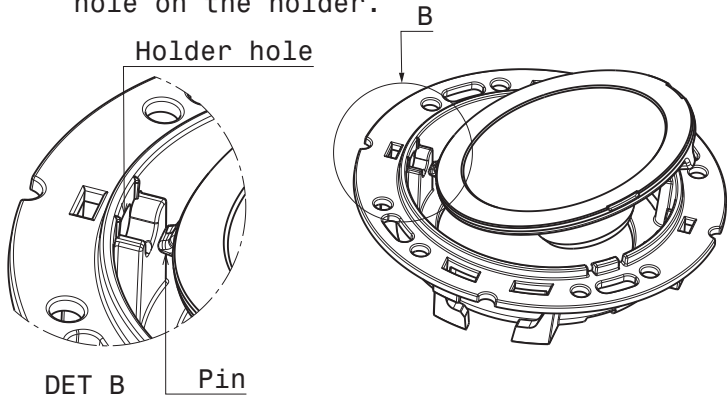
Isometric view

\* Ensure from 3d according specific optic version

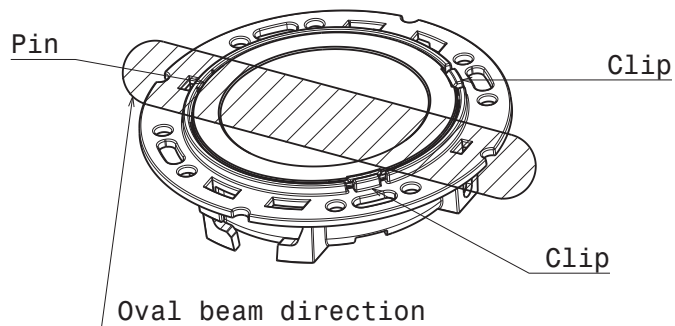
<p>Tolerances if not otherwise shown According to DIN ISO 2768-1 Linear measures: up to 30mm class M, otherwise class C According to DIN ISO 2768-2 Form and position: class L</p>		<p><b>LEDiL</b> Ledil Oy Salorankatu 10 FIN 24240 SALO Finland</p>	
<p>THIRD ANGLE PROJECTION: </p>		<p>DRAWING TITLE <b>RONDA-family</b></p>	
<p>This drawing is the property of LEDiL Oy. It may not be reproduced, copied or communicated without a written agreement with LEDiL Oy.</p>		<p>SIZE <b>A3</b></p>	<p>PART NUMBER -</p>
<p>SCALE 1:1</p>		<p>WEIGHT -</p>	<p>SHEET 2/3</p>

**OPTIC/HOLDER ASSEMBLY**

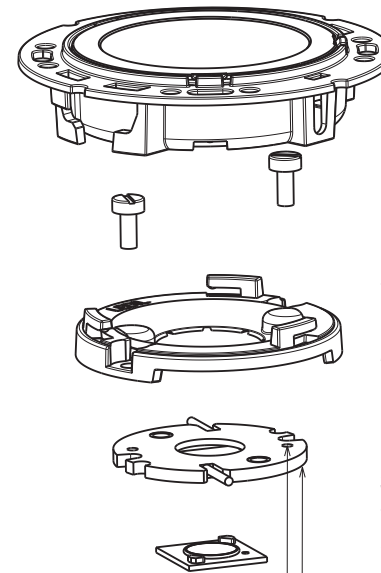
1. Place pin on the side of the lens into relative hole on the holder.



2. Press the lens under clips on the holder, ensuring both clips are fixed.



**TYPICAL CONNECTOR ASSEMBLY (including solderless BENDER WIRTH as example)**



1. Ensure correct relation of clamp and connector before screwing. Recommended torque 0.6Nm.

2. Assemble LED, BENDER&WIRTH connector and C13658\_CLAMP-VER013-18 clamp on heatsink with M3 screw.

3. Attach optic by aligning the holes in the holder with hooks and turning the optic holder clockwise until it locks.

Bender&Wirth model 4xx Typ L1

Align clamp positioning pin with holes in the connector.

Tolerances if not otherwise shown  
According to DIN ISO 2768-1  
Linear measures:  
up to 30mm class M, otherwise class C  
According to DIN ISO 2768-2  
Form and position: class L

**LEDiL** LediL Oy  
Salorankatu 10  
FIN 24240 SALO  
Finland

THIRD ANGLE PROJECTION:



DRAWING TITLE  
**RONDA-family**

This drawing is the property of LEDiL Oy. It may not be reproduced, copied or communicated without a written agreement with LEDiL Oy.

SIZE	PART NUMBER
A3	-

SCALE	1:1	WEIGHT	-	SHEET	3/3
-------	-----	--------	---	-------	-----