



Chipsmall Limited consists of a professional team with an average of over 10 year of expertise in the distribution of electronic components. Based in Hongkong, we have already established firm and mutual-benefit business relationships with customers from,Europe,America and south Asia,supplying obsolete and hard-to-find components to meet their specific needs.

With the principle of “Quality Parts,Customers Priority,Honest Operation,and Considerate Service”,our business mainly focus on the distribution of electronic components. Line cards we deal with include Microchip,ALPS,ROHM,Xilinx,Pulse,ON,Everlight and Freescale. Main products comprise IC,Modules,Potentiometer,IC Socket,Relay,Connector.Our parts cover such applications as commercial,industrial, and automotives areas.

We are looking forward to setting up business relationship with you and hope to provide you with the best service and solution. Let us make a better world for our industry!



Contact us

Tel: +86-755-8981 8866 Fax: +86-755-8427 6832

Email & Skype: info@chipsmall.com Web: www.chipsmall.com

Address: A1208, Overseas Decoration Building, #122 Zhenhua RD., Futian, Shenzhen, China



Two-stage performance filter

- current ratings from 1 to 10A
- very high differential and common mode attenuation
- good low frequency attenuation
- Nennströme von 1 bis 10 A
- Sehr hohe differentielle und Gleichtakt-Dämpfung
- Gute Niederfrequenzdämpfung
- courants de service de 1 à 10 A
- très bonne atténuation en modes différentiel et commun
- bonne atténuation à des basses fréquences



Filter selection table

Choose the family FN xxx with the required current rating and features, and add /?? to determine input/output (line/load) connection style. Example: FN 682-4/07 is a 4A filter with wire connections.

Approvals



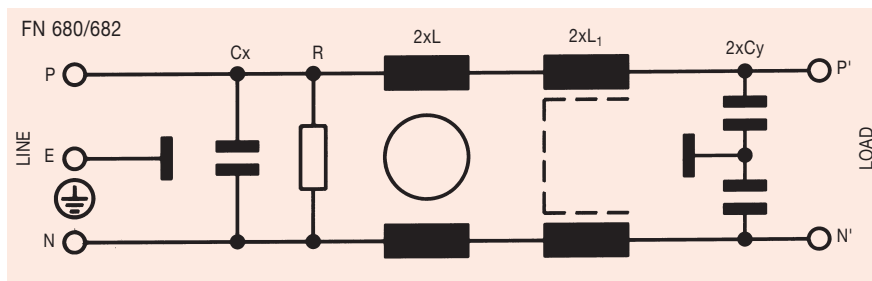
Family	Connections		Current ratings at 40°C (25°) A	Inductance L/L ₁ mH	Housing	Weight g	
	/06	/07				/06	/07
FN 680 -1 /??	/06	/07	1 (1.2)	22.5/1.2	J11	120	130
FN 680 -2.5 /??	/06	/07	2.5 (3)	16/0.27	K2	230	245
FN 682 -4 /??	/06	/07	4 (4.8)	8/0.08	K2	250	255
FN 682 -6.5 /??	/06	/07	6.5 (7.8)	4.1/0.055	L1	590	600
FN 682 -10 /??	/06	/07	10 (12)	4/0.04	L2	950	970

Additional specifications

Filter type	Capacitance		Res. R MΩ	Maximum leakage μA/phase	Maximum operating voltage		Operating frequency Hz	Hipot test voltage	
	C _x nF	C _y nF			VAC	Hz		PN→E VAC	P→N VDC
FN 680 types	220	4.7	1	410	250	50/60	DC to 400	2000	1700
FN 682 types (4A)	1000	22	0.33	1900	250	50/60	DC to 400	2000	1700
FN 682 types (6.5-10A)	470	22	0.47	1900	250	50/60	DC to 400	2000	1700

MTBF at 40°C, 230V, per Mil-HB-217F: 1,400,000 hours.

Electrical schematic

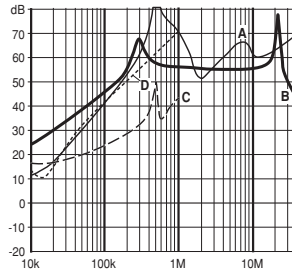


See tables for component values.

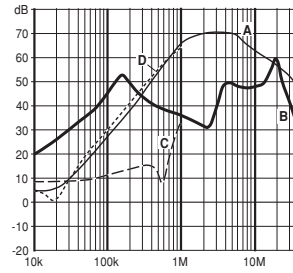
FN 680 insertion loss

Per CISPR 17; A = 50Ω/50Ω sym, B = 50Ω/50Ω asym, C = 0.1Ω/100Ω sym, D = 100Ω/0.1Ω sym

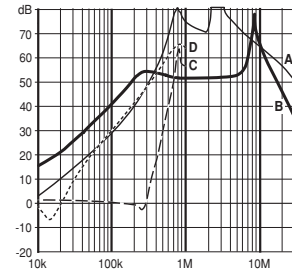
1 amp types



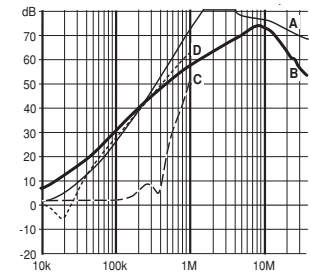
2.5 amp types



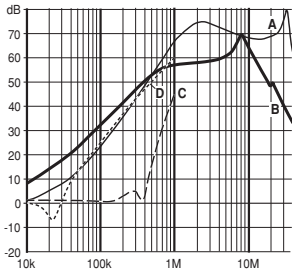
4 amp types



6.5 amp types



10 amp types



Mechanical data

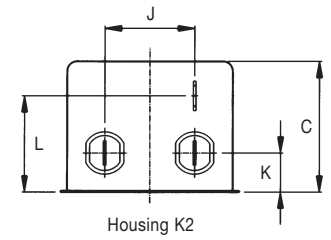
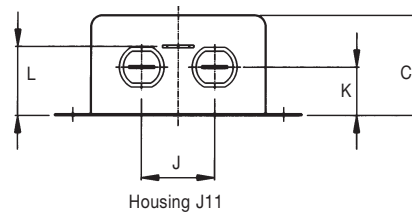
FN 680-1		Tol. mm
	J11	
A	71	± 0.5
B	52.6	± 0.5
C	29	± 0.5
D	50.5	± 1
F	61	± 0.2
J	21	± 0.5
K	14	± 0.5
L	20	± 0.5
M	5.3	± 0.1
N	6.3	± 0.1
Y	6	± 1
Z	140	+ 5

	FN 680-2.5 FN 682-4	FN 682-6.5 L1	FN 682-10 L2	Tol.* mm
A	85	105		± 0.5
B	54	99.5 ± 1		± 0.5
C	40	38	57	± 1
D	65	84.5		± 1
E		79		± 0.5
F	75	95		± 0.2
G		51		± 0.1
J	27	40		± 0.5
K	12	9.5		± 0.5
L	29.5	19		± 0.5
M	5.3	4.4		± 0.1
N	6.3	6		± 0.1
Y		6		± 1
Z		140		+ 5

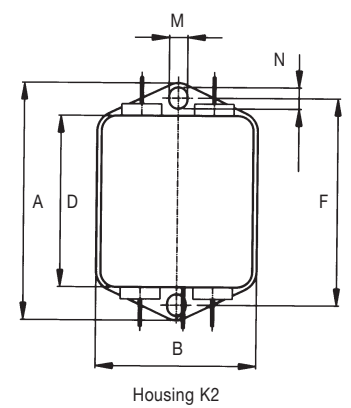
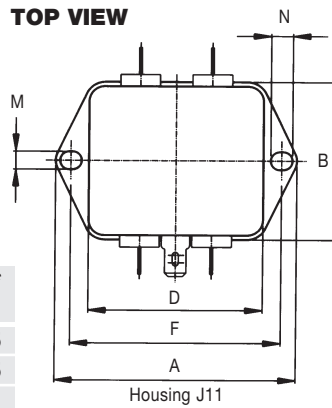
* Measurements share this common tolerance unless otherwise stated.

All dimensions in mm; 1 inch = 25.4 mm

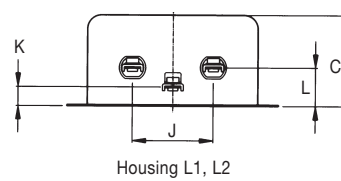
FRONT VIEW



TOP VIEW



FRONT VIEW



TOP VIEW

