



Chipsmall Limited consists of a professional team with an average of over 10 year of expertise in the distribution of electronic components. Based in Hongkong, we have already established firm and mutual-benefit business relationships with customers from,Europe,America and south Asia,supplying obsolete and hard-to-find components to meet their specific needs.

With the principle of “Quality Parts,Customers Priority,Honest Operation,and Considerate Service”,our business mainly focus on the distribution of electronic components. Line cards we deal with include Microchip,ALPS,ROHM,Xilinx,Pulse,ON,Everlight and Freescale. Main products comprise IC,Modules,Potentiometer,IC Socket,Relay,Connector.Our parts cover such applications as commercial,industrial, and automotives areas.

We are looking forward to setting up business relationship with you and hope to provide you with the best service and solution. Let us make a better world for our industry!



## Contact us

Tel: +86-755-8981 8866 Fax: +86-755-8427 6832

Email & Skype: info@chipsmall.com Web: www.chipsmall.com

Address: A1208, Overseas Decoration Building, #122 Zhenhua RD., Futian, Shenzhen, China





Is Now Part of



**ON Semiconductor®**

To learn more about ON Semiconductor, please visit our website at

[www.onsemi.com](http://www.onsemi.com)

ON Semiconductor and the ON Semiconductor logo are trademarks of Semiconductor Components Industries, LLC dba ON Semiconductor or its subsidiaries in the United States and/or other countries. ON Semiconductor owns the rights to a number of patents, trademarks, copyrights, trade secrets, and other intellectual property. A listing of ON Semiconductor's product/patent coverage may be accessed at [www.onsemi.com/site/pdf/Patent-Marking.pdf](http://www.onsemi.com/site/pdf/Patent-Marking.pdf). ON Semiconductor reserves the right to make changes without further notice to any products herein. ON Semiconductor makes no warranty, representation or guarantee regarding the suitability of its products for any particular purpose, nor does ON Semiconductor assume any liability arising out of the application or use of any product or circuit, and specifically disclaims any and all liability, including without limitation special, consequential or incidental damages. Buyer is responsible for its products and applications using ON Semiconductor products, including compliance with all laws, regulations and safety requirements or standards, regardless of any support or applications information provided by ON Semiconductor. "Typical" parameters which may be provided in ON Semiconductor data sheets and/or specifications can and do vary in different applications and actual performance may vary over time. All operating parameters, including "Typicals" must be validated for each customer application by customer's technical experts. ON Semiconductor does not convey any license under its patent rights nor the rights of others. ON Semiconductor products are not designed, intended, or authorized for use as a critical component in life support systems or any FDA Class 3 medical devices or medical devices with a same or similar classification in a foreign jurisdiction or any devices intended for implantation in the human body. Should Buyer purchase or use ON Semiconductor products for any such unintended or unauthorized application, Buyer shall indemnify and hold ON Semiconductor and its officers, employees, subsidiaries, affiliates, and distributors harmless against all claims, costs, damages, and expenses, and reasonable attorney fees arising out of, directly or indirectly, any claim of personal injury or death associated with such unintended or unauthorized use, even if such claim alleges that ON Semiconductor was negligent regarding the design or manufacture of the part. ON Semiconductor is an Equal Opportunity/Affirmative Action Employer. This literature is subject to all applicable copyright laws and is not for resale in any manner.

# FNA21012A

## 1200 V Motion SPM® 2 Series

### Features

- UL Certified No. E209204 (UL1557)
- 1200 V - 10 A 3-Phase IGBT Inverter, Including Control ICs for Gate Drive and Protections
- Low-Loss, Short-Circuit-Rated IGBTs
- Very Low Thermal Resistance Using Al<sub>2</sub>O<sub>3</sub> DBC Substrate
- Built-In Bootstrap Diodes and Dedicated Vs Pins Simplify PCB Layout
- Separate Open-Emitter Pins from Low-Side IGBTs for Three-Phase Current Sensing
- Single-Grounded Power Supply Supported
- Built-In NTC Thermistor for Temperature Monitoring and Management
- Adjustable Over-Current Protection via Integrated Sense-IGBTs
- Isolation Rating of 2500 Vrms / 1 min.

### Applications

- Motion Control - Industrial Motor (AC 400 V Class)

### Related Resources

- [AN-9075 - Users Guide for 1200V SPM® 2 Series](#)
- [AN-9076 - Mounting Guide for New SPM® 2 Package](#)
- [AN-9079 - Thermal Performance of 1200V Motion SPM® 2 Series by Mounting Torque](#)

### General Description

The FNA21012A is a Motion SPM® 2 module providing a fully-featured, high-performance inverter output stage for AC induction, BLDC, and PMSM motors. These modules integrate optimized gate drive of the built-in IGBTs to minimize EMI and losses, while also providing multiple on-module protection features: under-voltage lockouts, over-current shutdown, temperature sensing, and fault reporting. The built-in, high-speed HVIC requires only a single supply voltage and translates the incoming logic-level gate inputs to high-voltage, high-current drive signals to properly drive the module's internal IGBTs. Separate negative IGBT terminals are available for each phase to support the widest variety of control algorithms.

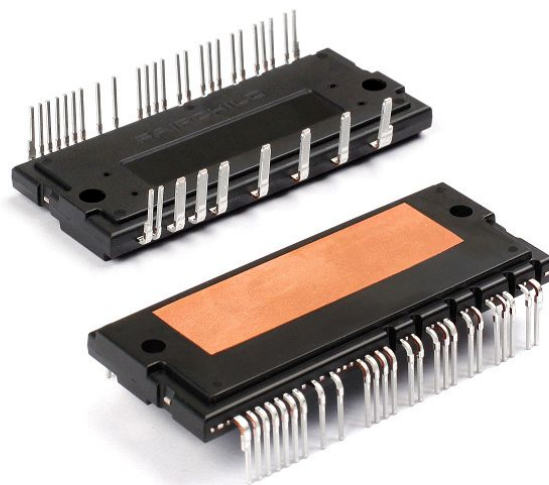


Figure 1. Package Overview

### Package Marking and Ordering Information

| Device    | Device Marking | Package   | Packing Type | Quantity |
|-----------|----------------|-----------|--------------|----------|
| FNA21012A | FNA21012A      | SPMCA-A34 | Rail         | 6        |



### Intergrated Power Functions

- 1200 V - 10 A IGBT inverter for three-phase DC / AC power conversion (refer to Figure 3)

### Intergrated Drive, Protection, and System Control Functions

- For inverter high-side IGBTs: gate-drive circuit, high-voltage isolated high-speed level-shifting control circuit, Under-Voltage Lock-Out Protection (UVLO), Available bootstrap circuit example is given in Figures 5 and 15.
- For inverter low-side IGBTs: gate-drive circuit, Short-Circuit Protection (SCP) control circuit, Under-Voltage Lock-Out Protection (UVLO)
- Fault signaling: corresponding to UV (low-side supply) and SC faults
- Input interface: active-HIGH interface, works with 3.3 / 5 V logic, Schmitt-trigger input

### Pin Configuration

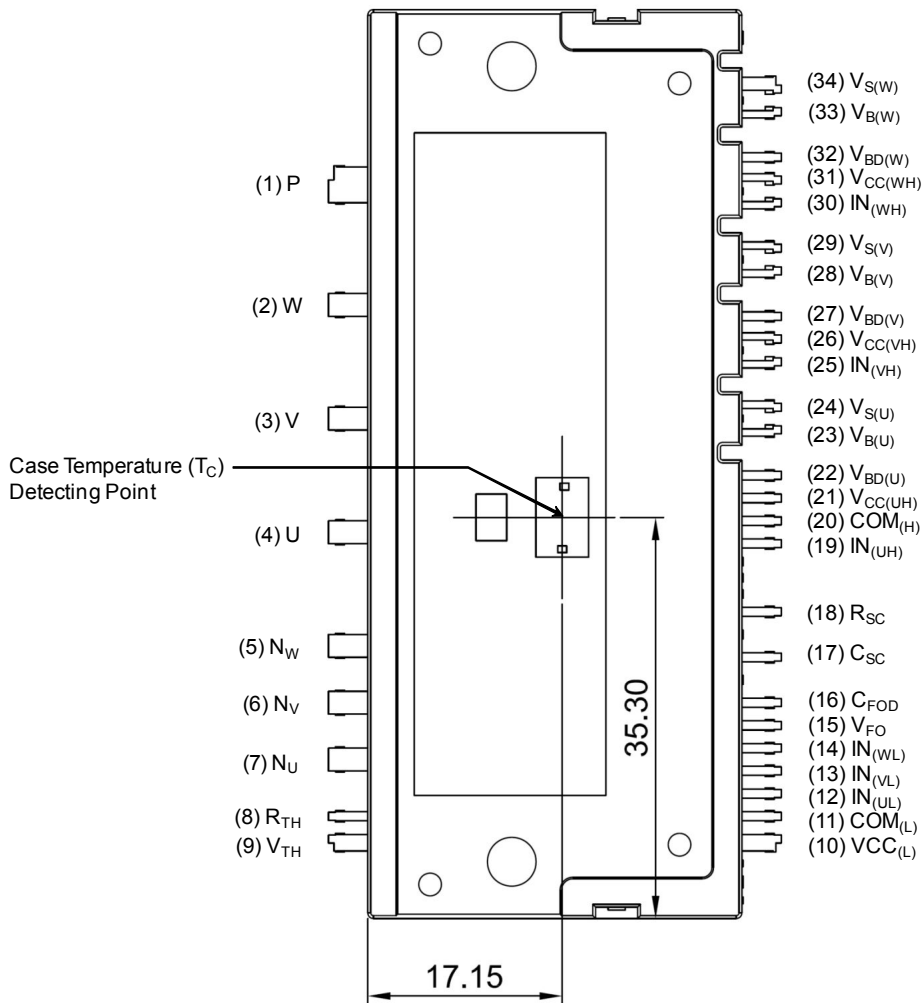
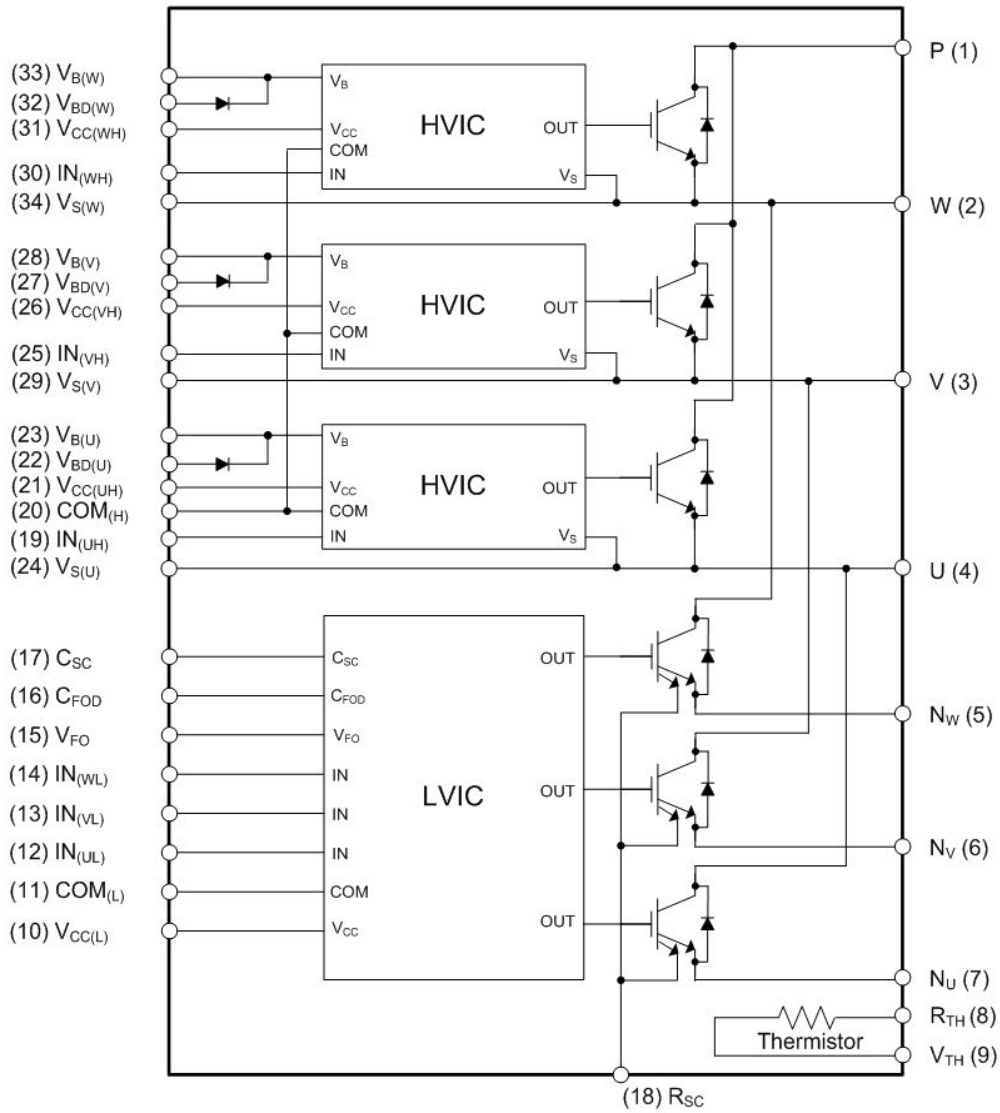


Figure 2. Top View

## Pin Descriptions

| Pin Number | Pin Name            | Pin Description   |
|------------|---------------------|---|
| 1          | P                   | Positive DC-Link Input  |
| 2          | W                   | Output for W Phase  |
| 3          | V                   | Output for V Phase  |
| 4          | U                   | Output for U Phase  |
| 5          | N <sub>W</sub>      | Negative DC-Link Input for W Phase                                    |
| 6          | N <sub>V</sub>      | Negative DC-Link Input for V Phase                                    |
| 7          | N <sub>U</sub>      | Negative DC-Link Input for U Phase                                    |
| 8          | R <sub>TH</sub>     | Series Resistor for Thermistor (Temperature Detection)                |
| 9          | V <sub>TH</sub>     | Thermistor Bias Voltage   |
| 10         | V <sub>CC(L)</sub>  | Low-Side Bias Voltage for IC and IGBTs Driving                        |
| 11         | COM <sub>(L)</sub>  | Low-Side Common Supply Ground   |
| 12         | IN <sub>(UL)</sub>  | Signal Input for Low-Side U Phase                                     |
| 13         | IN <sub>(VL)</sub>  | Signal Input for Low-Side V Phase                                     |
| 14         | IN <sub>(WL)</sub>  | Signal Input for Low-Side W Phase                                     |
| 15         | V <sub>FO</sub>     | Fault Output  |
| 16         | C <sub>FOD</sub>    | Capacitor for Fault Output Duration Selection                         |
| 17         | C <sub>SC</sub>     | Capacitor (Low-Pass Filter) for Short-Circuit Current Detection Input |
| 18         | R <sub>SC</sub>     | Resistor for Short-Circuit Current Detection                          |
| 19         | IN <sub>(UH)</sub>  | Signal Input for High-Side U Phase                                    |
| 20         | COM <sub>(H)</sub>  | High-Side Common Supply Ground  |
| 21         | V <sub>CC(UH)</sub> | High-Side Bias Voltage for U Phase IC                                 |
| 22         | V <sub>BD(U)</sub>  | Anode of Bootstrap Diode for U Phase High-Side Bootstrap Circuit      |
| 23         | V <sub>B(U)</sub>   | High-Side Bias Voltage for U Phase IGBT Driving                       |
| 24         | V <sub>S(U)</sub>   | High-Side Bias Voltage Ground for U Phase IGBT Driving                |
| 25         | IN <sub>(VH)</sub>  | Signal Input for High-Side V Phase                                    |
| 26         | V <sub>CC(VH)</sub> | High-Side Bias Voltage for V Phase IC                                 |
| 27         | V <sub>BD(V)</sub>  | Anode of Bootstrap Diode for V Phase High-Side Bootstrap Circuit      |
| 28         | V <sub>B(V)</sub>   | High-Side Bias Voltage for V Phase IGBT Driving                       |
| 29         | V <sub>S(V)</sub>   | High-Side Bias Voltage Ground for V Phase IGBT Driving                |
| 30         | IN <sub>(WH)</sub>  | Signal Input for High-Side W Phase                                    |
| 31         | V <sub>CC(WH)</sub> | High-Side Bias Voltage for W Phase IC                                 |
| 32         | V <sub>BD(W)</sub>  | Anode of Bootstrap Diode for W Phase High-Side Bootstrap Circuit      |
| 33         | V <sub>B(W)</sub>   | High-Side Bias Voltage for W Phase IGBT Driving                       |
| 34         | V <sub>S(W)</sub>   | High-Side Bias Voltage Ground for W Phase IGBT Driving                |

### Internal Equivalent Circuit and Input/Output Pins



**Figure 3. Internal Block Diagram**

**Notes:**

1. Inverter high-side is composed of three normal-IGBTs, freewheeling diodes, and one control IC for each IGBT.
2. Inverter low-side is composed of three sense-IGBTs, freewheeling diodes, and one control IC for each IGBT. It has gate drive and protection functions.
3. Inverter power side is composed of four inverter DC-link input terminals and three inverter output terminals.

**Absolute Maximum Ratings** ( $T_J = 25^\circ\text{C}$ , unless otherwise specified.)**Inverter Part**

| Symbol                 | Parameter                          | Conditions  | Rating    | Unit             |
|------------------------|------------------------------------|---|-----------|------------------|
| $V_{PN}$               | Supply Voltage                     | Applied between P - $N_U$ , $N_V$ , $N_W$   | 900       | V                |
| $V_{PN(\text{Surge})}$ | Supply Voltage (Surge)             | Applied between P - $N_U$ , $N_V$ , $N_W$   | 1000      | V                |
| $V_{CES}$              | Collector - Emitter Voltage        |   | 1200      | V                |
| $\pm I_C$              | Each IGBT Collector Current        | $T_C = 25^\circ\text{C}$ , $T_J \leq 150^\circ\text{C}$ (Note 4)                          | 10        | A                |
| $\pm I_{CP}$           | Each IGBT Collector Current (Peak) | $T_C = 25^\circ\text{C}$ , $T_J \leq 150^\circ\text{C}$ , Under 1 ms Pulse Width (Note 4) | 20        | A                |
| $P_C$                  | Collector Dissipation              | $T_C = 25^\circ\text{C}$ per One Chip (Note 4)  | 93        | W                |
| $T_J$                  | Operating Junction Temperature     |   | -40 ~ 150 | $^\circ\text{C}$ |

**Control Part**

| Symbol   | Parameter                      | Conditions  | Rating              | Unit |
|----------|--------------------------------|---|---------------------|------|
| $V_{CC}$ | Control Supply Voltage         | Applied between $V_{CC(H)}$ , $V_{CC(L)}$ - COM   | 20                  | V    |
| $V_{BS}$ | High-Side Control Bias Voltage | Applied between $V_{B(U)} - V_{S(U)}$ , $V_{B(V)} - V_{S(V)}$ , $V_{B(W)} - V_{S(W)}$                   | 20                  | V    |
| $V_{IN}$ | Input Signal Voltage           | Applied between $IN_{(UH)}$ , $IN_{(VH)}$ , $IN_{(WH)}$ , $IN_{(UL)}$ , $IN_{(VL)}$ , $IN_{(WL)}$ - COM | -0.3 ~ $V_{CC}+0.3$ | V    |
| $V_{FO}$ | Fault Output Supply Voltage    | Applied between $V_{FO}$ - COM  | -0.3 ~ $V_{CC}+0.3$ | V    |
| $I_{FO}$ | Fault Output Current           | Sink Current at $V_{FO}$ pin  | 2                   | mA   |
| $V_{SC}$ | Current Sensing Input Voltage  | Applied between $C_{SC}$ - COM  | -0.3 ~ $V_{CC}+0.3$ | V    |

**Bootstrap Diode Part**

| Symbol    | Parameter                          | Conditions  | Rating    | Unit             |
|-----------|------------------------------------|---|-----------|------------------|
| $V_{RRM}$ | Maximum Repetitive Reverse Voltage |   | 1200      | V                |
| $I_F$     | Forward Current                    | $T_C = 25^\circ\text{C}$ , $T_J \leq 150^\circ\text{C}$ (Note 4)                          | 1.0       | A                |
| $I_{FP}$  | Forward Current (Peak)             | $T_C = 25^\circ\text{C}$ , $T_J \leq 150^\circ\text{C}$ , Under 1 ms Pulse Width (Note 4) | 2.0       | A                |
| $T_J$     | Operating Junction Temperature     |   | -40 ~ 150 | $^\circ\text{C}$ |

**Total System**

| Symbol                | Parameter  | Conditions   | Rating    | Unit             |
|-----------------------|--|--|-----------|------------------|
| $V_{PN(\text{PROT})}$ | Self-Protection Supply Voltage Limit (Short-Circuit Protection Capability) | $V_{CC} = V_{BS} = 13.5 \sim 16.5 \text{ V}$ , $T_J = 150^\circ\text{C}$ , Non-Repetitive, < 2 $\mu\text{s}$ | 800       | V                |
| $T_C$                 | Module Case Operation Temperature  | See Figure 2   | -40 ~ 125 | $^\circ\text{C}$ |
| $T_{STG}$             | Storage Temperature  |  | -40 ~ 125 | $^\circ\text{C}$ |
| $V_{ISO}$             | Isolation Voltage  | 60 Hz, Sinusoidal, AC 1 Minute, Connection Pins to Heat Sink Plate   | 2500      | $V_{\text{rms}}$ |

**Thermal Resistance**

| Symbol         | Parameter                                    | Conditions                            | Min. | Typ. | Max. | Unit                        |
|----------------|--|---------------------------------------|------|------|------|-----------------------------|
| $R_{th(j-c)Q}$ | Junction-to-Case Thermal Resistance (Note 5) | Inverter IGBT Part (per 1 / 6 Module) | -    | -    | 1.33 | $^\circ\text{C} / \text{W}$ |
| $R_{th(j-c)F}$ |  | Inverter FWD Part (per 1 / 6 Module)  | -    | -    | 2.30 | $^\circ\text{C} / \text{W}$ |

**Notes:**

- These values had been made an acquisition by the calculation considered to design factor.
- For the measurement point of case temperature ( $T_C$ ), please refer to Figure 2.

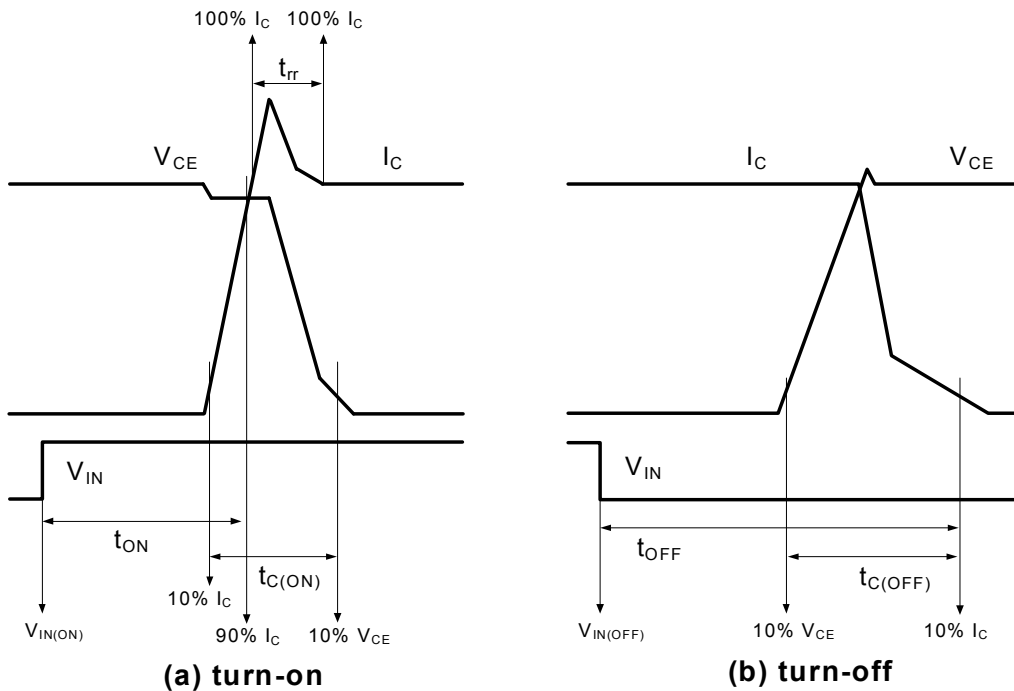
**Electrical Characteristics** ( $T_J = 25^\circ\text{C}$ , unless otherwise specified.)

**Inverter Part**

| Symbol        | Parameter  | Conditions   | Min. | Typ. | Max. | Unit          |
|---------------|--|--|------|------|------|---------------|
| $V_{CE(SAT)}$ | Collector - Emitter Saturation Voltage                           | $V_{CC} = V_{BS} = 15\text{ V}$<br>$V_{IN} = 5\text{ V}$   | -    | 2.20 | 2.80 | V             |
| $V_F$         | FWDI Forward Voltage   | $V_{IN} = 0\text{ V}$<br>$I_F = 10\text{ A}, T_J = 25^\circ\text{C}$   | -    | 2.20 | 2.80 | V             |
| HS            | $t_{ON}$<br>$t_{C(ON)}$<br>$t_{OFF}$<br>$t_{C(OFF)}$<br>$t_{rr}$ | Switching Times<br>$V_{PN} = 600\text{ V}, V_{CC} = 15\text{ V}, I_C = 10\text{ A}$<br>$T_J = 25^\circ\text{C}$<br>$V_{IN} = 0\text{ V} \leftrightarrow 5\text{ V}$ , Inductive Load<br>See Figure 5<br>(Note 6) | 0.45 | 0.85 | 1.35 | $\mu\text{s}$ |
|               |  |  | -    | 0.25 | 0.55 | $\mu\text{s}$ |
|               |  |  | -    | 0.95 | 1.45 | $\mu\text{s}$ |
|               |  |  | -    | 0.10 | 0.40 | $\mu\text{s}$ |
|               |  |  | -    | 0.25 | -    | $\mu\text{s}$ |
| LS            | $t_{ON}$<br>$t_{C(ON)}$<br>$t_{OFF}$<br>$t_{C(OFF)}$<br>$t_{rr}$ | $V_{PN} = 600\text{ V}, V_{CC} = 15\text{ V}, I_C = 10\text{ A}$<br>$T_J = 25^\circ\text{C}$<br>$V_{IN} = 0\text{ V} \leftrightarrow 5\text{ V}$ , Inductive Load<br>See Figure 5<br>(Note 6)                    | 0.35 | 0.75 | 1.25 | $\mu\text{s}$ |
|               |  |  | -    | 0.20 | 0.50 | $\mu\text{s}$ |
|               |  |  | -    | 0.95 | 1.45 | $\mu\text{s}$ |
|               |  |  | -    | 0.10 | 0.40 | $\mu\text{s}$ |
|               |  |  | -    | 0.20 | -    | $\mu\text{s}$ |
| $I_{CES}$     | Collector - Emitter Leakage Current                              | $V_{CE} = V_{CES}$   | -    | -    | 5    | mA            |

**Note:**

6.  $t_{ON}$  and  $t_{OFF}$  include the propagation delay of the internal drive IC.  $t_{C(ON)}$  and  $t_{C(OFF)}$  are the switching times of IGBT under the given gate-driving condition internally. For the detailed information, please see Figure 4.



**Figure 4. Switching Time Definition**



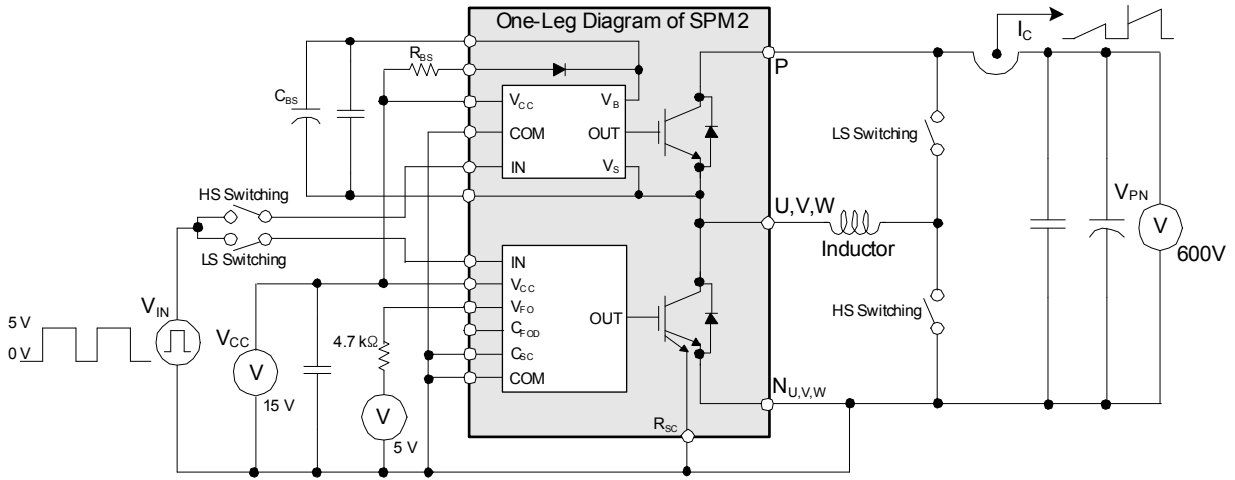


Figure 5. Example Circuit for Switching Test

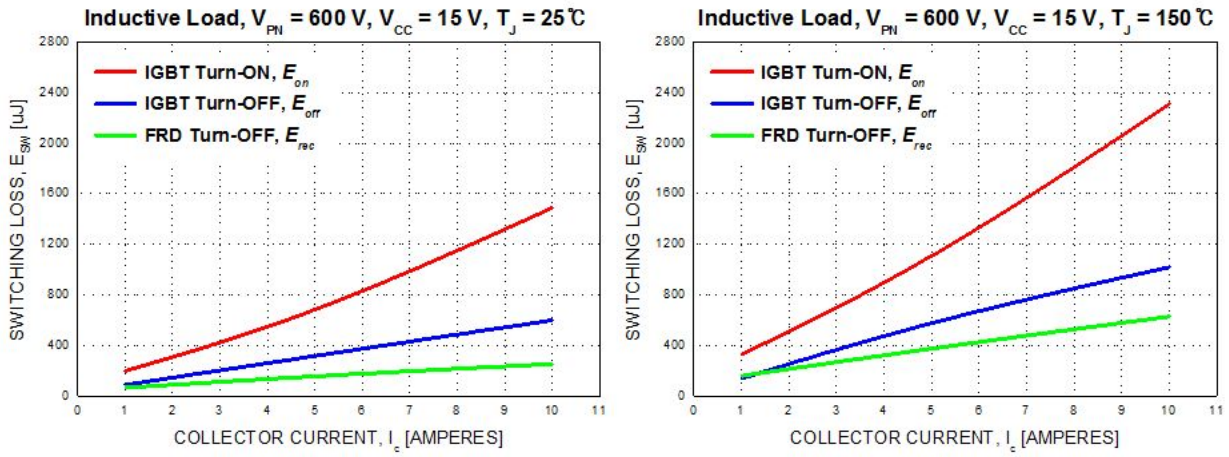


Figure 6. Switching Loss Characteristics (Typical)

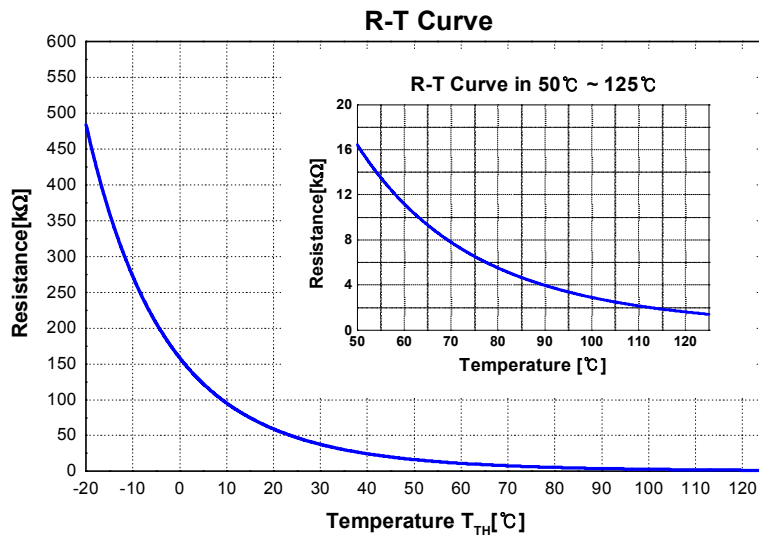


Figure 7. R-T Curve of Built-in Thermistor

### Bootstrap Diode Part

| Symbol   | Parameter             | Conditions  | Min. | Typ. | Max. | Unit |
|----------|-----------------------|---|------|------|------|------|
| $V_F$    | Forward Voltage       | $I_F = 1.0 \text{ A}$ , $T_J = 25^\circ\text{C}$  | -    | 2.2  | -    | V    |
| $t_{rr}$ | Reverse-Recovery Time | $I_F = 1.0 \text{ A}$ , $dI_F / dt = 50 \text{ A} / \mu\text{s}$ , $T_J = 25^\circ\text{C}$ | -    | 80   | -    | ns   |

### Control Part

| Symbol        | Parameter                               | Conditions   | Min.                  | Typ. | Max. | Unit    |               |
|---------------|---|--|-----------------------|------|------|---------|---------------|
| $I_{QCCH}$    | Quiescent $V_{CC}$ Supply Current       | $V_{CC(UH,VH,WH)} = 15 \text{ V}$ ,<br>$I_{N(UH,VH,WH)} = 0 \text{ V}$   |                       | -    | -    | 0.15 mA |               |
| $I_{QCCL}$    |   | $V_{CC(L)} = 15 \text{ V}$ , $I_{N(UL,VL,WL)} = 0 \text{ V}$   |                       | -    | -    | 5.00 mA |               |
| $I_{PCCH}$    | Operating $V_{CC}$ Supply Current       | $V_{CC(UH,VH,WH)} = 15 \text{ V}$ , $f_{PWM} = 20 \text{ kHz}$ ,<br>Duty = 50%, Applied to one PWM Signal Input for High-Side    |                       | -    | -    | 0.30 mA |               |
| $I_{PCCL}$    |   | $V_{CC(L)} = 15 \text{ V}$ , $f_{PWM} = 20 \text{ kHz}$ ,<br>Duty = 50%, Applied to one PWM Signal Input for Low-Side            |                       | -    | -    | 8.50 mA |               |
| $I_{QBS}$     | Quiescent $V_{BS}$ Supply Current       | $V_{BS} = 15 \text{ V}$ , $I_{N(UH, VH, WH)} = 0 \text{ V}$  |                       | -    | -    | 0.30 mA |               |
| $I_{PBS}$     | Operating $V_{BS}$ Supply Current       | $V_{CC} = V_{BS} = 15 \text{ V}$ , $f_{PWM} = 20 \text{ kHz}$ ,<br>Duty = 50%, Applied to one PWM Signal Input for High-Side     |                       | -    | -    | 4.50 mA |               |
| $V_{FOH}$     | Fault Output Voltage                    | $V_{CC} = 15 \text{ V}$ , $V_{SC} = 0 \text{ V}$ , $V_{FO}$ Circuit: 4.7 k $\Omega$ to 5 V Pull-up                               | 4.5                   | -    | -    | V       |               |
| $V_{FOL}$     |   | $V_{CC} = 15 \text{ V}$ , $V_{SC} = 1 \text{ V}$ , $V_{FO}$ Circuit: 4.7 k $\Omega$ to 5 V Pull-up                               | -                     | -    | 0.5  | V       |               |
| $I_{SEN}$     | Sensing Current of Each Sense IGBT      | $V_{CC} = 15 \text{ V}$ , $V_{IN} = 5 \text{ V}$ , $R_{SC} = 0 \Omega$ , No Connection of Shunt Resistor at $N_{U,V,W}$ Terminal |                       | -    | 7    | mA      |               |
| $V_{SC(ref)}$ | Short Circuit Trip Level                | $V_{CC} = 15 \text{ V}$ (Note 7)   |                       | 0.43 | 0.50 | 0.57 V  |               |
| $I_{SC}$      | Short Circuit Current Level for Trip    | $R_{SC} = 68 \Omega (\pm 1\%)$ , No Connection of Shunt Resistor at $N_{U,V,W}$ Terminal (Note 7)                                | -                     | 20   | -    | A       |               |
| $UV_{CCD}$    | Supply Circuit Under-Voltage Protection | Detection Level  | 10.3                  | -    | 12.8 | V       |               |
| $UV_{CCR}$    |   | Reset Level  | 10.8                  | -    | 13.3 | V       |               |
| $UV_{BSD}$    |   | Detection Level  | 9.5                   | -    | 12.0 | V       |               |
| $UV_{BSR}$    |   | Reset Level  | 10.0                  | -    | 12.5 | V       |               |
| $t_{FOD}$     | Fault-Out Pulse Width                   | $C_{FOD} = \text{Open}$  | (Note 8)              | 50   | -    | -       | $\mu\text{s}$ |
|               |   | $C_{FOD} = 2.2 \text{ nF}$   |                       | 1.7  | -    | -       | ms            |
| $V_{IN(ON)}$  | ON Threshold Voltage                    | Applied between $I_{N(UH, VH, WH)} - COM_{(H)}$ , $I_{N(UL, VL, WL)} - COM_{(L)}$  | -                     | -    | 2.6  | V       |               |
| $V_{IN(OFF)}$ | OFF Threshold Voltage                   |  | 0.8                   | -    | -    | V       |               |
| $R_{TH}$      | Resistance of Thermistor                | at $T_{TH} = 25^\circ\text{C}$   | See Figure 7 (Note 9) | -    | 47   | -       | k $\Omega$    |
|               |   | at $T_{TH} = 100^\circ\text{C}$  |                       | -    | 2.9  | -       | k $\Omega$    |

**Notes:**

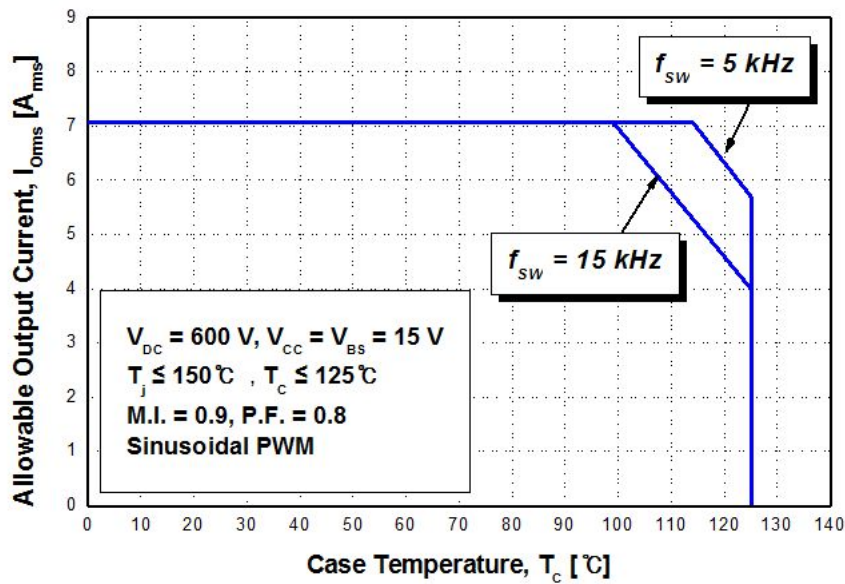
- Short-circuit current protection functions only at the low-sides because the sense current is divided from main current at low-side IGBTs. Inserting the shunt resistor for monitoring the phase current at  $N_U$ ,  $N_V$ ,  $N_W$  terminal, the trip level of the short-circuit current is changed.
- The fault-out pulse width  $t_{FOD}$  depends on the capacitance value of  $C_{FOD}$  according to the following approximate equation :  $t_{FOD} = 0.8 \times 10^6 \times C_{FOD} \text{ [s]}$ .
- $T_{TH}$  is the temperature of thermistor itself. To know case temperature ( $T_C$ ), conduct experiments considering the application.

### Recommended Operating Conditions

| Symbol                   | Parameter                                | Conditions   | Value |      |      | Unit             |
|--------------------------|--|--|-------|------|------|------------------|
|                          |  |  | Min.  | Typ. | Max. |                  |
| $V_{PN}$                 | Supply Voltage                           | Applied between P - $N_U, N_V, N_W$  | 300   | 600  | 800  | V                |
| $V_{CC}$                 | Control Supply Voltage                   | Applied between $V_{CC(UH, VH, WH)} - COM_{(H)}, V_{CC(L)} - COM_{(L)}$                                | 13.5  | 15.0 | 16.5 | V                |
| $V_{BS}$                 | High-Side Bias Voltage                   | Applied between $V_{B(U)} - V_{S(U)}, V_{B(V)} - V_{S(V)}, V_{B(W)} - V_{S(W)}$                        | 13.0  | 15.0 | 18.5 | V                |
| $dV_{CC}/dt, dV_{BS}/dt$ | Control Supply Variation                 |  | -1    | -    | 1    | V / $\mu$ s      |
| $t_{dead}$               | Blanking Time for Preventing Arm - Short | For Each Input Signal  | 2.0   | -    | -    | $\mu$ s          |
| $f_{PWM}$                | PWM Input Signal                         | $-40^\circ\text{C} \leq T_C \leq 125^\circ\text{C}, -40^\circ\text{C} \leq T_J \leq 150^\circ\text{C}$ | -     | -    | 20   | kHz              |
| $V_{SEN}$                | Voltage for Current Sensing              | Applied between $N_U, N_V, N_W - COM_{(H, L)}$ (Including Surge Voltage)                               | -5    |      | 5    | V                |
| $PW_{IN(ON)}$            | Minimum Input Pulse Width                | $I_C \leq 20$ A, Wiring Inductance between $N_U, v, w$ and DC Link N < 10nH (Note 10)                  | 1.5   | -    | -    | $\mu$ s          |
| $PW_{IN(OFF)}$           |  |  | 1.5   | -    | -    |                  |
| $T_J$                    | Junction Temperature                     |  | -40   | -    | 150  | $^\circ\text{C}$ |

**Note:**

10. This product might not make output response if input pulse width is less than the recommended value.



**Figure 8. Allowable Maximum Output Current**

**Note:**

11. This allowable output current value is the reference data for the safe operation of this product. This may be different from the actual application and operating condition.

### Mechanical Characteristics and Ratings

| Parameter                 | Conditions                  | Min.                     | Typ. | Max. | Unit  |         |
|---------------------------|-----------------------------|--------------------------|------|------|-------|---------|
| Device Flatness           | See Figure 9                | 0                        | -    | +200 | μm    |         |
| Mounting Torque           | Mounting Screw: M4          | Recommended 1.0 N • m    | 0.9  | 1.0  | 1.5   | N • m   |
|                           | See Figure 10               | Recommended 10.1 kg • cm | 9.1  | 10.1 | 15.1  | kg • cm |
| Terminal Pulling Strength | Load 19.6 N                 | 10                       | -    | -    | s     |         |
| Terminal Bending Strength | Load 9.8 N, 90 degrees Bend | 2                        | -    | -    | times |         |
| Weight                    |                             | -                        | 50   | -    | g     |         |

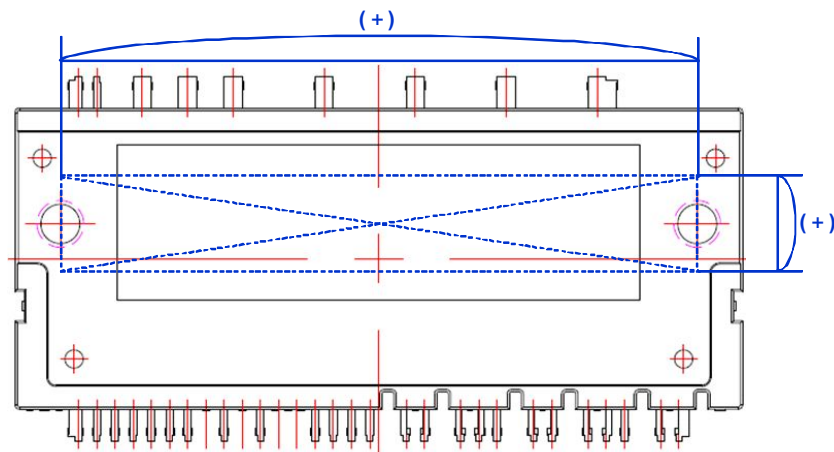


Figure 9. Flatness Measurement Position

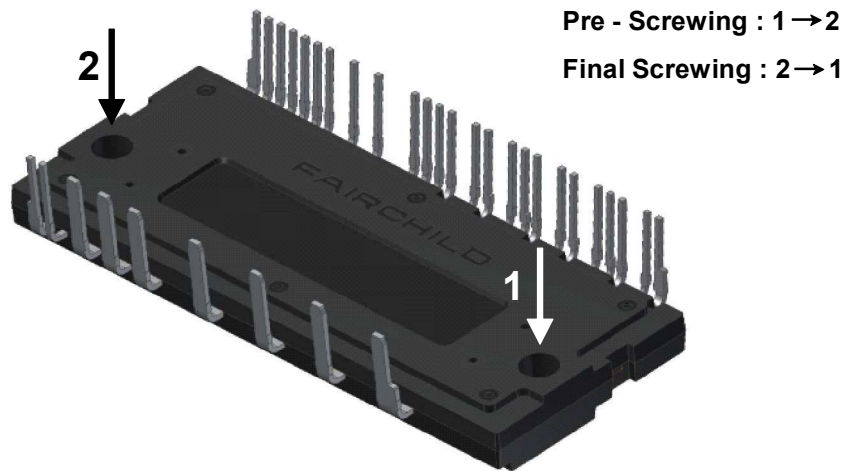
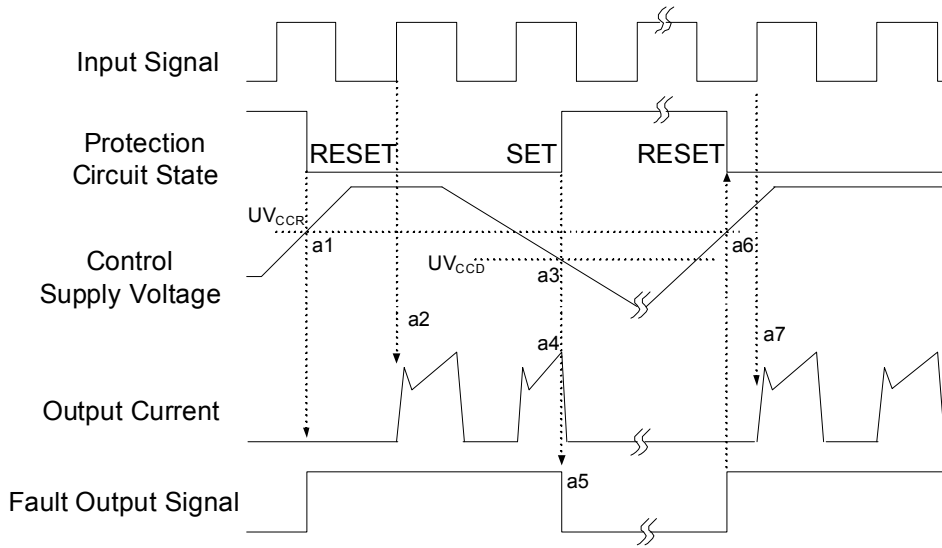


Figure 10. Mounting Screws Torque Order

**Notes:**

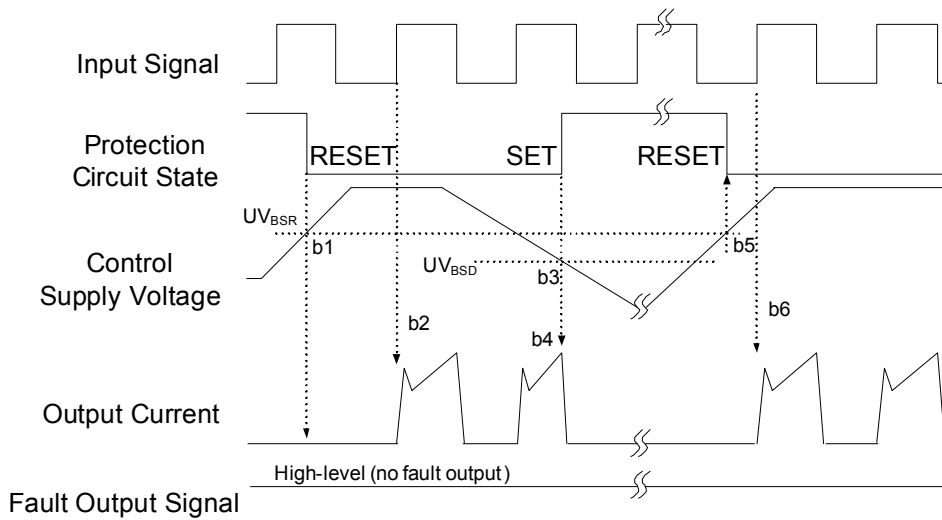
- 12. Do not over torque when mounting screws. Too much mounting torque may cause DBC cracks, as well as bolts and Al heat-sink destruction.
- 13. Avoid one-sided tightening stress. Figure 10 shows the recommended torque order for the mounting screws. Uneven mounting can cause the DBC substrate of package to be damaged. The pre-screwing torque is set to 20 ~ 30% of maximum torque rating.

### Time Charts of SPMs Protective Function



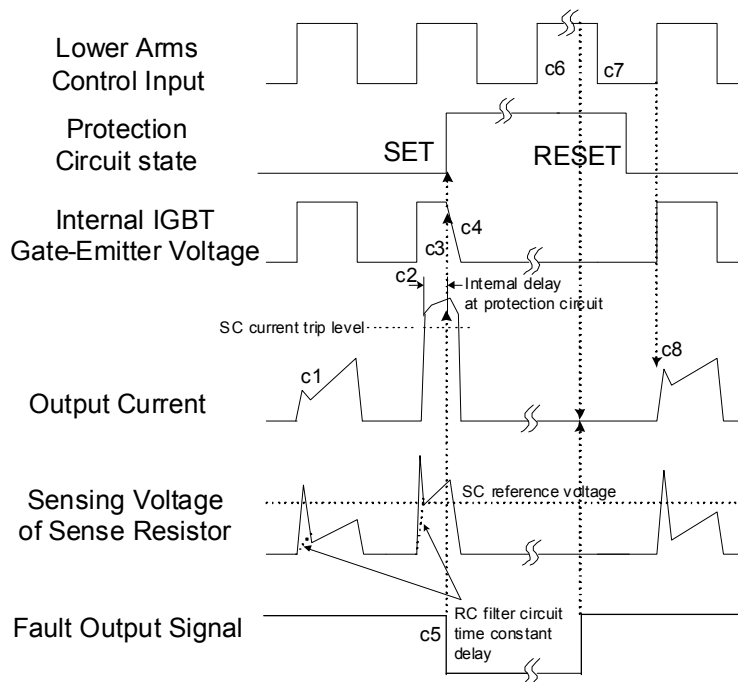
**Figure 11. Under-Voltage Protection (Low-Side)**

- a1 : Control supply voltage rises: after the voltage rises  $UV_{CCR}$ , the circuits start to operate when the next input is applied.
- a2 : Normal operation: IGBT ON and carrying current.
- a3 : Under-voltage detection ( $UV_{CCD}$ ).
- a4 : IGBT OFF in spite of control input condition.
- a5 : Fault output operation starts with a fixed pulse width according to the condition of the external capacitor  $C_{FOD}$ .
- a6 : Under-voltage reset ( $UV_{CCR}$ ).
- a7 : Normal operation: IGBT ON and carrying current by triggering next signal from LOW to HIGH.



**Figure 12. Under-Voltage Protection (High-Side)**

- b1 : Control supply voltage rises: after the voltage reaches  $UV_{BSR}$ , the circuits start to operate when the next input is applied.
- b2 : Normal operation: IGBT ON and carrying current.
- b3 : Under-voltage detection ( $UV_{BSD}$ ).
- b4 : IGBT OFF in spite of control input condition, but there is no fault output signal.
- b5 : Under-voltage reset ( $UV_{BSR}$ ).
- b6 : Normal operation: IGBT ON and carrying current by triggering next signal from LOW to HIGH.

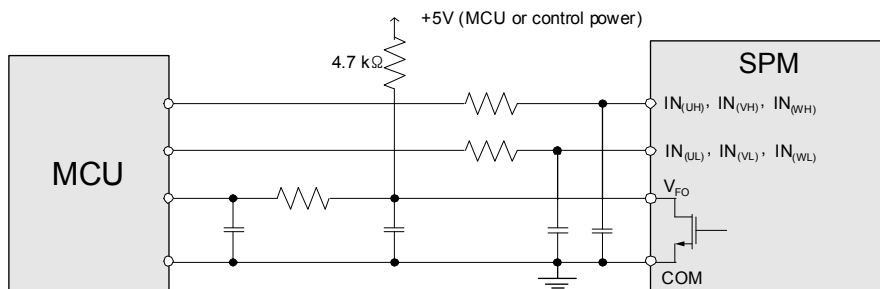


**Figure 13. Short-Circuit Current Protection (Low-Side Operation only)**

(with the external sense resistance and RC filter connection)

- c1 : Normal operation: IGBT ON and carrying current.
- c2 : Short-circuit current detection (SC trigger).
- c3 : All low-side IGBTs gate are hard interrupted.
- c4 : All low-side IGBTs turn OFF.
- c5 : Fault output operation starts with a fixed pulse width according to the condition of the external capacitor  $C_{FOD}$ .
- c6 : Input HIGH: IGBT ON state, but during the active period of fault output, the IGBT doesn't turn ON.
- c7 : Fault output operation finishes, but IGBT doesn't turn on until triggering the next signal from LOW to HIGH.
- c8 : Normal operation: IGBT ON and carrying current.

### Input/Output Interface Circuit

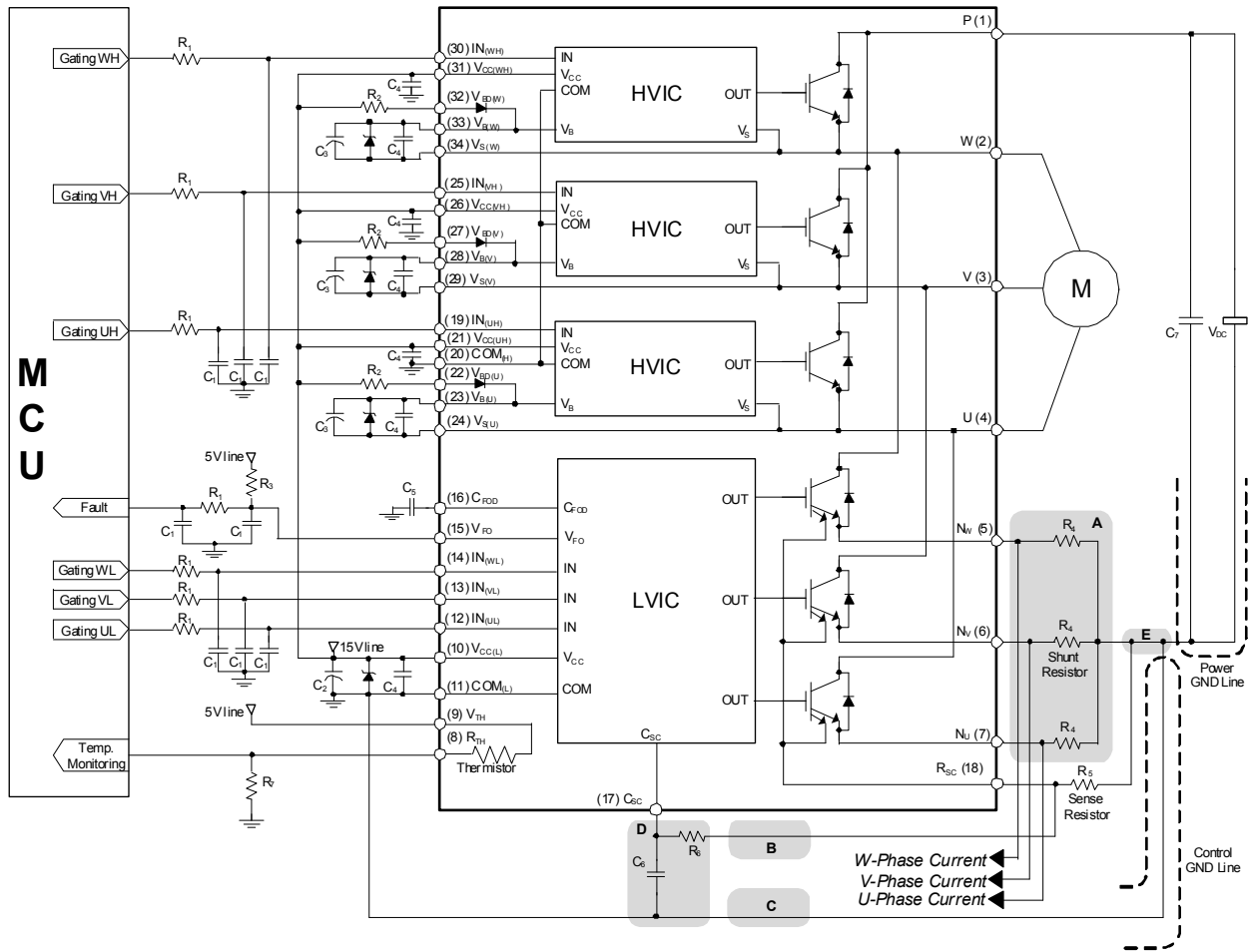


**Figure 14. Recommended MCU I/O Interface Circuit**

**Note:**

14. RC coupling at each input (parts shown dotted) might change depending on the PWM control scheme used in the application and the wiring impedance of the application's printed circuit board. The input signal section of the Motion SPM 2 product integrates 5 kΩ (typ.) pull-down resistor. Therefore, when using an external filtering resistor, please pay attention to the signal voltage drop at input terminal.



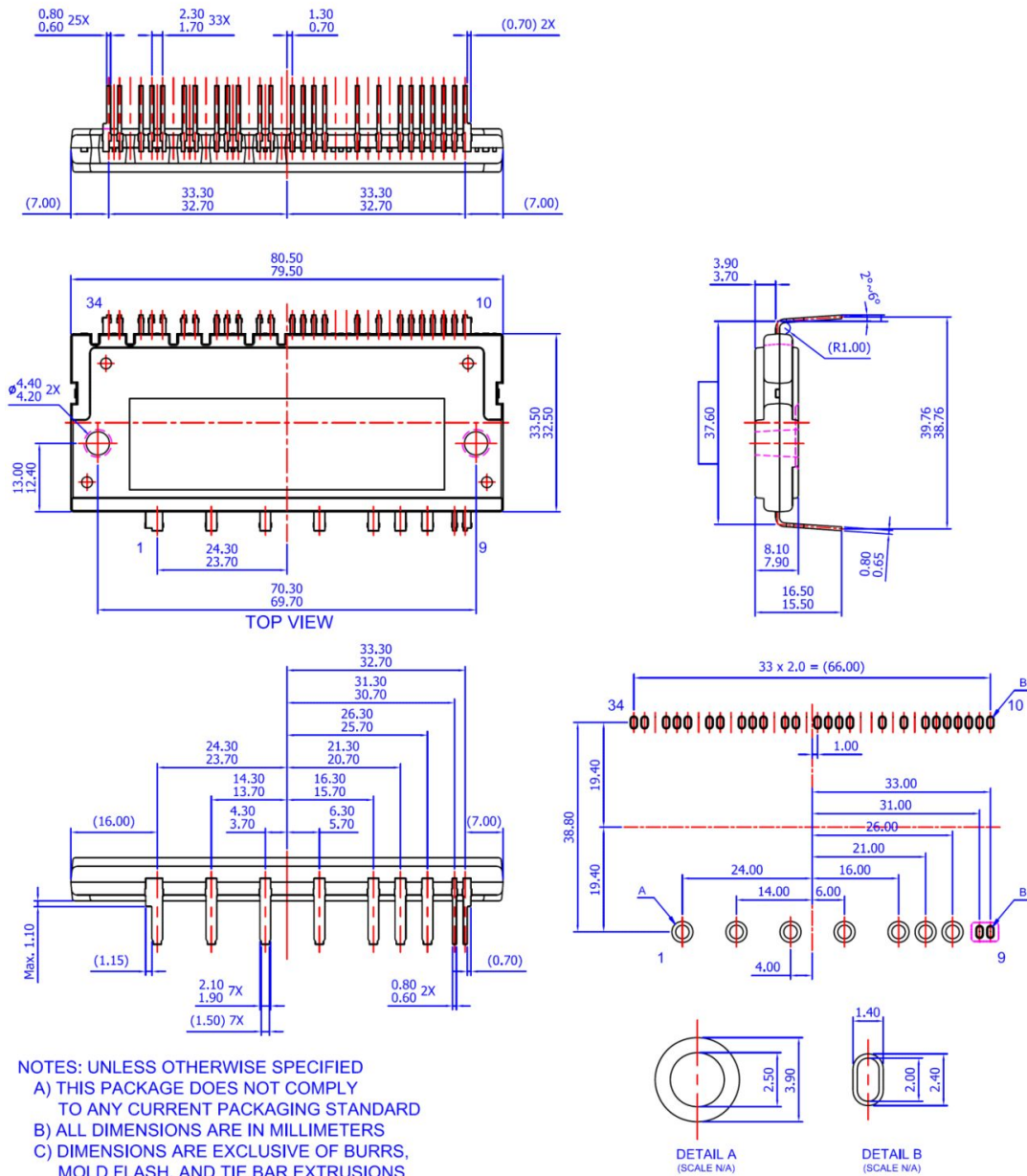


**Figure 15. Typical Application Circuit**

**Notes:**

15. To avoid malfunction, the wiring of each input should be as short as possible (less than 2 - 3 cm).
16.  $V_{FO}$  output is an open-drain type. This signal line should be pulled up to the positive side of the MCU or control power supply with a resistor that makes  $I_{FO}$  up to 2 mA. Please refer to Figure 14.
17. Fault out pulse width can be adjust by capacitor  $C_5$  connected to the  $C_{FOD}$  terminal.
18. Input signal is active-HIGH type. There is a 5 k $\Omega$  resistor inside the IC to pull-down each input signal line to GND. RC coupling circuits should be adopted for the prevention of input signal oscillation.  $R_1C_1$  time constant should be selected in the range 50 ~ 150 ns (recommended  $R_1 = 100 \Omega$ ,  $C_1 = 1$  nF).
19. Each wiring pattern inductance of point A should be minimized (recommend less than 10 nH). Use the shunt resistor  $R_4$  of surface mounted (SMD) type to reduce wiring inductance. To prevent malfunction, wiring of point E should be connected to the terminal of the shunt resistor  $R_4$  as close as possible.
20. To insert the shunt resistor to measure each phase current at  $N_U$ ,  $N_V$ ,  $N_W$  terminal, it makes to change the trip level  $I_{SC}$  about the short-circuit current.
21. To prevent errors of the protection function, the wiring of points B, C, and D should be as short as possible. The wiring of B between  $C_{SC}$  filter and  $R_{SC}$  terminal should be divided at the point that is close to the terminal of sense resistor  $R_5$ .
22. For stable protection function, use the sense resistor  $R_5$  with resistance variation within 1% and low inductance value.
23. In the short-circuit protection circuit, select the  $R_6C_6$  time constant in the range 1.0 ~ 1.5  $\mu$ s.  $R_6$  should be selected with a minimum of 10 times larger resistance than sense resistor  $R_5$ . Do enough evaluation on the real system because short-circuit protection time may vary wiring pattern layout and value of the  $R_6C_6$  time constant.
24. Each capacitor should be mounted as close to the pins of the Motion SPM® 2 product as possible.
25. To prevent surge destruction, the wiring between the smoothing capacitor  $C_7$  and the P & GND pins should be as short as possible. The use of a high-frequency non-inductive capacitor of around 0.1 ~ 0.22  $\mu$ F between the P & GND pins is recommended.
26. Relays are used in most systems of electrical equipments in industrial application. In these cases, there should be sufficient distance between the CPU and the relays.
27. The Zener diode or transient voltage suppressor should be adapted for the protection of ICs from the surge destruction between each pair of control supply terminals (recommended Zener diode is 22 V / 1 W, which has the lower Zener impedance characteristic than about 15  $\Omega$ ).
28.  $C_2$  of around seven times larger than bootstrap capacitor  $C_3$  is recommended.
29. Please choose the electrolytic capacitor with good temperature characteristic in  $C_3$ . Choose 0.1 ~ 0.2  $\mu$ F R-category ceramic capacitors with good temperature and frequency characteristics in  $C_4$ .

### Detailed Package Outline Drawings (FNA21012A)



- NOTES: UNLESS OTHERWISE SPECIFIED  
 A) THIS PACKAGE DOES NOT COMPLY TO ANY CURRENT PACKAGING STANDARD  
 B) ALL DIMENSIONS ARE IN MILLIMETERS  
 C) DIMENSIONS ARE EXCLUSIVE OF BURRS, MOLD FLASH, AND TIE BAR EXTRUSIONS  
 D) PACKAGE SURFACE VOID SHALL NOT EXCEED 2.3 x 2.3 x 1.0mm  
 E) ( ) IS REFERENCE  
 F) [ ] IS ASS'Y QUALITY  
 G) DRAWING FILENAME: MOD34BAREV2.0  
 H) FAIRCHILD SEMICONDUCTOR

LAND PATTERN RECOMMENDATIONS

Package drawings are provided as a service to customers considering Fairchild components. Drawings may change in any manner without notice. Please note the revision and/or data on the drawing and contact a FairchildSemiconductor representative to verify or obtain the most recent revision. Package specifications do not expand the terms of Fairchild's worldwide therm and conditions, specifically the the warranty therein, which covers Fairchild products.




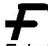

Always visit Fairchild Semiconductor's online packaging area for the most recent package drawings:

<http://www.fairchildsemi.com/dwg/MO/MOD34BA.pdf>



**TRADEMARKS**

The following includes registered and unregistered trademarks and service marks, owned by Fairchild Semiconductor and/or its global subsidiaries, and is not intended to be an exhaustive list of all such trademarks.

- |   |  |   |   |
|---|--|---|---|
| AccuPower™  | F-PFS™   |  | Sync-Lock™  |
| AX-CAP®*  | FRFET®   | PowerXS™  |  |
| BitSiC™   | Global Power Resource™                         | Programmable Active Droop™  | TinyBoost®  |
| Build it Now™   | GreenBridge™                                   | QFET®   | TinyBuck®   |
| CorePLUS™   | Green FPS™                                     | QS™   | TinyCalc™   |
| CorePOWER™  | Green FPS™ e-Series™                           | Quiet Series™   | TinyLogic®  |
| CROSSVOLT™  | Gmax™  | RapidConfigure™   | TINYOPTO™   |
| CTL™  | GTO™   |  | TinyPower™  |
| Current Transfer Logic™   | IntelliMAX™                                    | Saving our world, 1mW/W/kW at a time™   | TinyPWM™  |
| DEUXPEED®   | ISOPLANAR™                                     | SignalWise™   | TinyWire™   |
| Dual Cool™  | Making Small Speakers Sound Louder and Better™ | SmartMax™   | TranSiC™  |
| EcoSPARK®   | MegaBuck™                                      | SMART START™  | TriFault Detect™  |
| EfficientMax™   | MICROCOUPLER™                                  | Solutions for Your Success™   | TRUECURRENT®*   |
| ESBC™   | MicroFET™                                      | SPM®  | μSerDes™  |
|  | MicroPak™                                      | STEALTH™  |  |
| Fairchild®  | MicroPak2™                                     | SuperFET®   | UHC®  |
| Fairchild Semiconductor®  | MillerDrive™                                   | SuperSOT™-3   | Ultra FRFET™  |
| FACT Quiet Series™  | MotionMax™                                     | SuperSOT™-6   | UniFET™   |
| FACT®   | mWSaver®                                       | SuperSOT™-8   | VCX™  |
| FAST®   | OptoHiT™                                       | SupreMOS®   | VisualMax™  |
| FastvCore™  | OPTOLOGIC®                                     | SyncFET™  | VoltagePlus™  |
| FETBench™   | OPTOPLANAR®                                    |   | XS™   |
| FPS™  |  |   |   |

\* Trademarks of System General Corporation, used under license by Fairchild Semiconductor.

**DISCLAIMER**

FAIRCHILD SEMICONDUCTOR RESERVES THE RIGHT TO MAKE CHANGES WITHOUT FURTHER NOTICE TO ANY PRODUCTS HEREIN TO IMPROVE RELIABILITY, FUNCTION, OR DESIGN. FAIRCHILD DOES NOT ASSUME ANY LIABILITY ARISING OUT OF THE APPLICATION OR USE OF ANY PRODUCT OR CIRCUIT DESCRIBED HEREIN; NEITHER DOES IT CONVEY ANY LICENSE UNDER ITS PATENT RIGHTS, NOR THE RIGHTS OF OTHERS. THESE SPECIFICATIONS DO NOT EXPAND THE TERMS OF FAIRCHILD'S WORLDWIDE TERMS AND CONDITIONS, SPECIFICALLY THE WARRANTY THEREIN, WHICH COVERS THESE PRODUCTS.

**LIFE SUPPORT POLICY**

FAIRCHILD'S PRODUCTS ARE NOT AUTHORIZED FOR USE AS CRITICAL COMPONENTS IN LIFE SUPPORT DEVICES OR SYSTEMS WITHOUT THE EXPRESS WRITTEN APPROVAL OF FAIRCHILD SEMICONDUCTOR CORPORATION.

As used herein:

- Life support devices or systems are devices or systems which, (a) are intended for surgical implant into the body or (b) support or sustain life, and (c) whose failure to perform when properly used in accordance with instructions for use provided in the labeling, can be reasonably expected to result in a significant injury of the user.
- A critical component in any component of a life support, device, or system whose failure to perform can be reasonably expected to cause the failure of the life support device or system, or to affect its safety or effectiveness.

**ANTI-COUNTERFEITING POLICY**

Fairchild Semiconductor Corporation's Anti-Counterfeiting Policy. Fairchild's Anti-Counterfeiting Policy is also stated on our external website, [www.fairchildsemi.com](http://www.fairchildsemi.com), under Sales Support.

Counterfeiting of semiconductor parts is a growing problem in the industry. All manufacturers of semiconductor products are experiencing counterfeiting of their parts. Customers who inadvertently purchase counterfeit parts experience many problems such as loss of brand reputation, substandard performance, failed applications, and increased cost of production and manufacturing delays. Fairchild is taking strong measures to protect ourselves and our customers from the proliferation of counterfeit parts. Fairchild strongly encourages customers to purchase Fairchild parts either directly from Fairchild or from Authorized Fairchild Distributors who are listed by country on our web page cited above. Products customers buy either from Fairchild directly or from Authorized Fairchild Distributors are genuine parts, have full traceability, meet Fairchild's quality standards for handling and storage and provide access to Fairchild's full range of up-to-date technical and product information. Fairchild and our Authorized Distributors will stand behind all warranties and will appropriately address any warranty issues that may arise. Fairchild will not provide any warranty coverage or other assistance for parts bought from Unauthorized Sources. Fairchild is committed to combat this global problem and encourage our customers to do their part in stopping this practice by buying direct or from authorized distributors.

**PRODUCT STATUS DEFINITIONS**

**Definition of Terms**

| Datasheet Identification | Product Status        | Definition  |
|--------------------------|-----------------------|---|
| Advance Information      | Formative / In Design | Datasheet contains the design specifications for product development. Specifications may change in any manner without notice.   |
| Preliminary              | First Production      | Datasheet contains preliminary data; supplementary data will be published at a later date. Fairchild Semiconductor reserves the right to make changes at any time without notice to improve design. |
| No Identification Needed | Full Production       | Datasheet contains final specifications. Fairchild Semiconductor reserves the right to make changes at any time without notice to improve the design.   |
| Obsolete                 | Not In Production     | Datasheet contains specifications on a product that is discontinued by Fairchild Semiconductor. The datasheet is for reference information only.  |

Rev. I66

ON Semiconductor and  are trademarks of Semiconductor Components Industries, LLC dba ON Semiconductor or its subsidiaries in the United States and/or other countries. ON Semiconductor owns the rights to a number of patents, trademarks, copyrights, trade secrets, and other intellectual property. A listing of ON Semiconductor's product/patent coverage may be accessed at [www.onsemi.com/site/pdf/Patent-Marking.pdf](http://www.onsemi.com/site/pdf/Patent-Marking.pdf). ON Semiconductor reserves the right to make changes without further notice to any products herein. ON Semiconductor makes no warranty, representation or guarantee regarding the suitability of its products for any particular purpose, nor does ON Semiconductor assume any liability arising out of the application or use of any product or circuit, and specifically disclaims any and all liability, including without limitation special, consequential or incidental damages. Buyer is responsible for its products and applications using ON Semiconductor products, including compliance with all laws, regulations and safety requirements or standards, regardless of any support or applications information provided by ON Semiconductor. "Typical" parameters which may be provided in ON Semiconductor data sheets and/or specifications can and do vary in different applications and actual performance may vary over time. All operating parameters, including "Typicals" must be validated for each customer application by customer's technical experts. ON Semiconductor does not convey any license under its patent rights nor the rights of others. ON Semiconductor products are not designed, intended, or authorized for use as a critical component in life support systems or any FDA Class 3 medical devices or medical devices with a same or similar classification in a foreign jurisdiction or any devices intended for implantation in the human body. Should Buyer purchase or use ON Semiconductor products for any such unintended or unauthorized application, Buyer shall indemnify and hold ON Semiconductor and its officers, employees, subsidiaries, affiliates, and distributors harmless against all claims, costs, damages, and expenses, and reasonable attorney fees arising out of, directly or indirectly, any claim of personal injury or death associated with such unintended or unauthorized use, even if such claim alleges that ON Semiconductor was negligent regarding the design or manufacture of the part. ON Semiconductor is an Equal Opportunity/Affirmative Action Employer. This literature is subject to all applicable copyright laws and is not for resale in any manner.

## PUBLICATION ORDERING INFORMATION

### LITERATURE FULFILLMENT:

Literature Distribution Center for ON Semiconductor  
19521 E. 32nd Pkwy, Aurora, Colorado 80011 USA  
**Phone:** 303-675-2175 or 800-344-3860 Toll Free USA/Canada  
**Fax:** 303-675-2176 or 800-344-3867 Toll Free USA/Canada  
**Email:** [orderlit@onsemi.com](mailto:orderlit@onsemi.com)

**N. American Technical Support:** 800-282-9855 Toll Free  
USA/Canada  
**Europe, Middle East and Africa Technical Support:**  
Phone: 421 33 790 2910  
**Japan Customer Focus Center**  
Phone: 81-3-5817-1050

**ON Semiconductor Website:** [www.onsemi.com](http://www.onsemi.com)  
**Order Literature:** <http://www.onsemi.com/orderlit>  
For additional information, please contact your local  
Sales Representative