



Chipsmall Limited consists of a professional team with an average of over 10 year of expertise in the distribution of electronic components. Based in Hongkong, we have already established firm and mutual-benefit business relationships with customers from,Europe,America and south Asia,supplying obsolete and hard-to-find components to meet their specific needs.

With the principle of "Quality Parts,Customers Priority,Honest Operation,and Considerate Service",our business mainly focus on the distribution of electronic components. Line cards we deal with include Microchip,ALPS,ROHM,Xilinx,Pulse,ON,Everlight and Freescale. Main products comprise IC,Modules,Potentiometer,IC Socket,Relay,Connector.Our parts cover such applications as commercial,industrial, and automotives areas.

We are looking forward to setting up business relationship with you and hope to provide you with the best service and solution. Let us make a better world for our industry!



Contact us

Tel: +86-755-8981 8866 Fax: +86-755-8427 6832

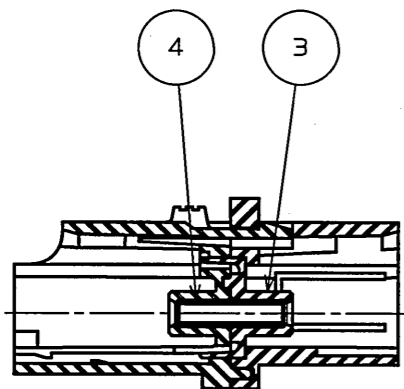
Email & Skype: info@chipsmall.com Web: www.chipsmall.com

Address: A1208, Overseas Decoration Building, #122 Zhenhua RD., Futian, Shenzhen, China

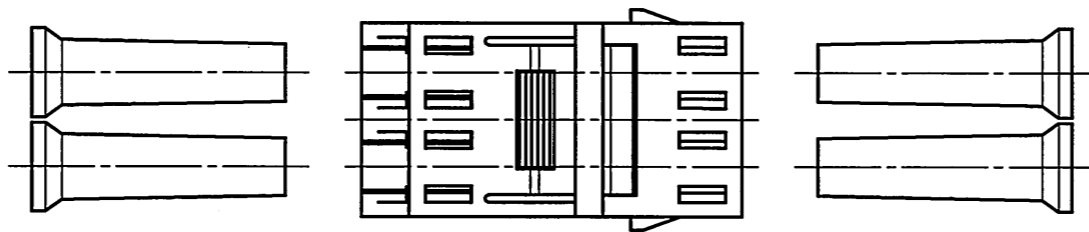


0E6901PS
('ON 0NIMVHO)台架取付図

版数 REV.	年月日 DATE	DCN NO.	変更内容 DESCRIPTION	製図 DR.	担当 CHK.	査閲 APPD.	承認 APPD.



SECT. A-A
断面 A-A



DESIGNATION

命名法

FO-EX-2LCBD*

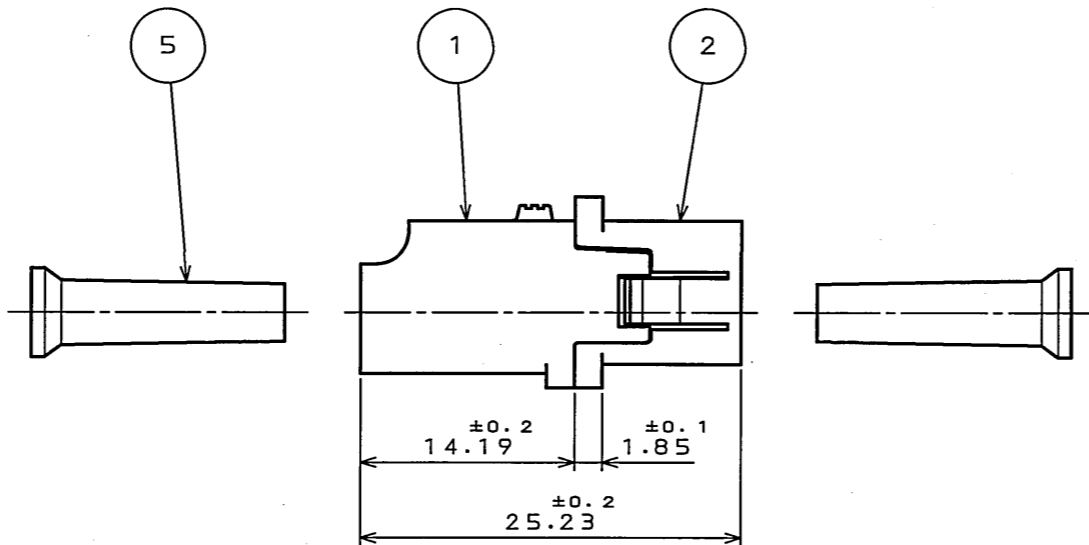
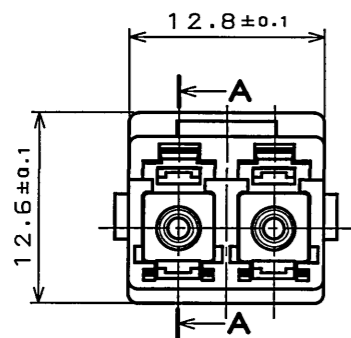
SLIT SLEEVE MATERIAL
(1:PHOSPHOR BRONZE, 2:ZIRCONIA)
割スリーブ材質(1:リン青銅, 2:ジルコニア)

ADAPTER FORM (COMPACT TYPE)
アダプタ形態(コンパクトタイプ)

LC CONNECTOR APPLICATION PRODUCT
LCコネクタ適応品

DUPLEX TYPE
2芯タイプ品

SERIES NAME
シリーズ名

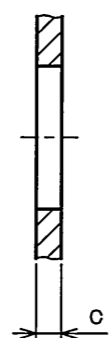
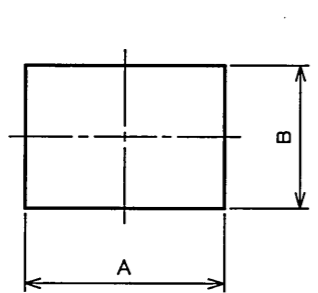


SPECIFICATION

仕様

INSERTION LOSS:0.4dB MAX
OPERATING TEMPERATURE RANGE:-40℃ TO +85℃
DURABILITY:500 TIMES

挿入損失:0.4dB以下
使用温度範囲:-40℃~+85℃
繰返し動作回数:500回



	MIN	MAX
A	13.1	13.6
B	9.5	10.0
C	1.5	1.75

PANEL CUTOUT DIMENSION
パネル取付寸法

符号 NO.	名称 DESCRIPTION	個数 QTY.	材料 MATERIAL	仕上 FINISH	備考 REMARKS
5	DUST CAP	4	SYNTHETIC RESIN	—	—
4	SLIT SLEEVE	2	PHOSPHOR BRONZE or ZIRCONIA	—	—
3	SLEEVE HOLDER	2	SYNTHETIC RESIN	—	—
2	REAR HOUSING	1	SYNTHETIC RESIN	—	—
1	FRONT HOUSING	1	SYNTHETIC RESIN	—	—

仕様書(SPECIFICATION) JACS-70042	第1版(ORIGINAL DATE) 26.Jul.2006	尺度(SCALE) 2:1	シリーズ(SERIES) OPT	日本航空電子工業株式会社 JAPAN AVIATION ELECTRONICS INDUSTRY, LTD. 	図面番号(DRAWING NO.) SJ106930
公差差(GENERAL TOLERANCE) 寸法(DIMENSION) 角度(ANGLES)	製図 DR. Y.HIROKI	名称(TITLE) FO-EX-2LCBD*			
. ±0.8 X° ± .X ±0.4 XX° ± .XX ±0.1 XXX° ±	担当 CHK. Y.HIROKI	質量(MASS)			
	査閲 APPD. 承認 APPD. A. Ozawa	Reference			

