



Chipsmall Limited consists of a professional team with an average of over 10 year of expertise in the distribution of electronic components. Based in Hongkong, we have already established firm and mutual-benefit business relationships with customers from,Europe,America and south Asia,supplying obsolete and hard-to-find components to meet their specific needs.

With the principle of “Quality Parts,Customers Priority,Honest Operation,and Considerate Service”,our business mainly focus on the distribution of electronic components. Line cards we deal with include Microchip,ALPS,ROHM,Xilinx,Pulse,ON,Everlight and Freescale. Main products comprise IC,Modules,Potentiometer,IC Socket,Relay,Connector.Our parts cover such applications as commercial,industrial, and automotives areas.

We are looking forward to setting up business relationship with you and hope to provide you with the best service and solution. Let us make a better world for our industry!



Contact us

Tel: +86-755-8981 8866 Fax: +86-755-8427 6832

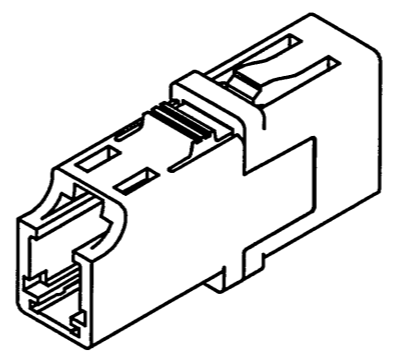
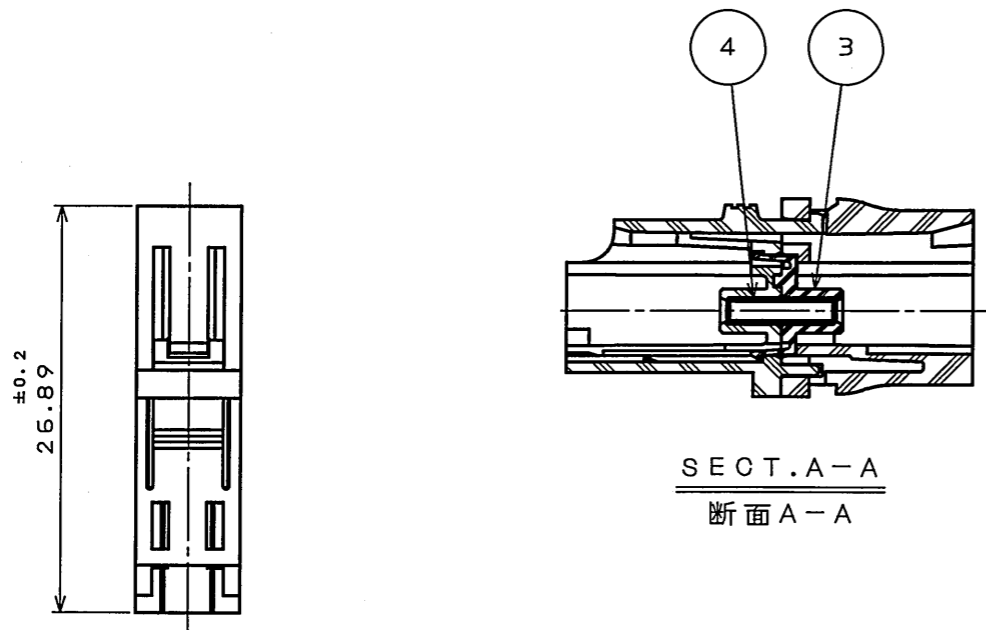
Email & Skype: info@chipsmall.com Web: www.chipsmall.com

Address: A1208, Overseas Decoration Building, #122 Zhenhua RD., Futian, Shenzhen, China



8Z8901P8
(DRAWING NO.) (符号図)

版数 REV.	年月日 DATE	DCN NO.	変更内容 DESCRIPTION	製図 DR.	担当 CHK.	査閲 APPD.	承認 APPD.



DESIGNATION

命名法
FO-EX-LCAD1

ALIGNMENT SLEEVE MATERIAL(1:PHOSPHOR BRONZE)
割スリーブ材質(1:リン青銅)

ADAPTER FORM
アダプタ形態

LC CONNECTOR APPLICATION PRODUCT
LCコネクタ適応品

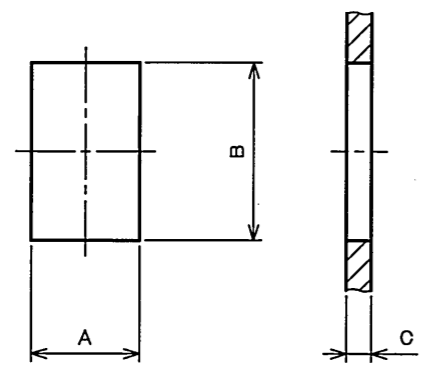
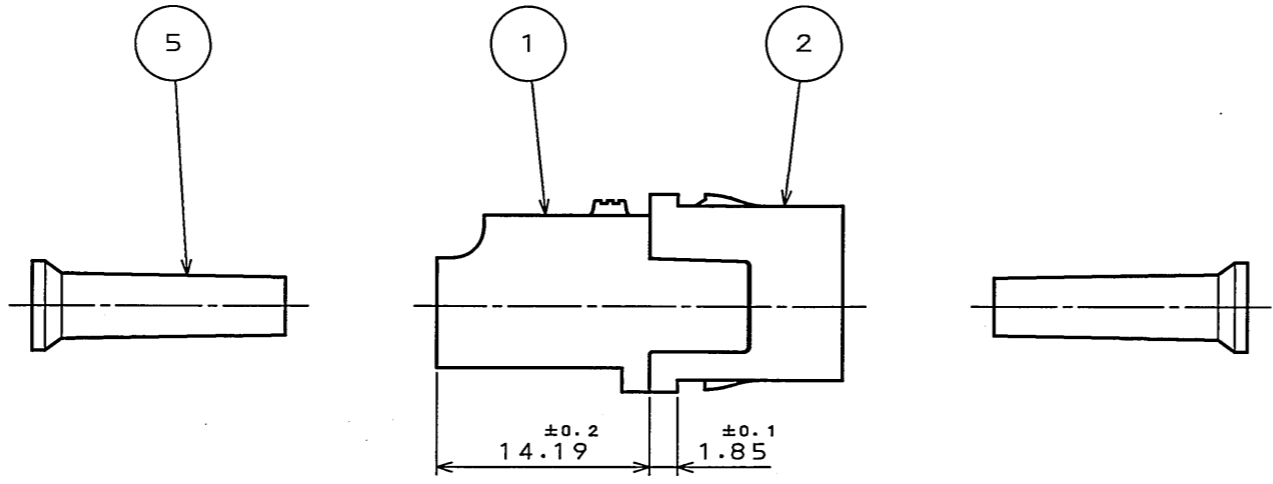
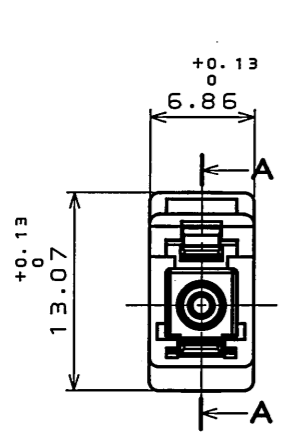
SERIES NAME
シリーズ名

SPECIFICATION

仕様

INSERTION LOSS:0.4dB MAX
OPERATING TEMPERATURE RANGE:-40C TO +85C
DURABILITY:500 TIMES

挿入損失:0.4dB以下
使用温度範囲:-40℃~+85℃
繰返し動作回数:500回



	MIN	MAX
A	7.1	7.2
B	11.7	11.8
C	1.55	1.75

PANEL CUTOUT DIMENSION
パネル取付寸法

符号 NO.	名称 DESCRIPTION	個数 QTY.	材料 MATERIAL	仕上 FINISH	備考 REMARKS
5	DUST CAP	2	SYNTHETIC RESIN	—	—
4	SPLIT SLEEVE	1	PHOSPHOR BRONZE	—	—
3	SLEEVE HOLDER	1	SYNTHETIC RESIN	—	—
2	REAR HOUSING	1	SYNTHETIC RESIN	—	—
1	FRONT HOUSING	1	SYNTHETIC RESIN	—	—

仕様書 (SPECIFICATION)		第1版 (ORIGINAL DATE)	尺度 (SCALE)	シリーズ (SERIES)	日本航空電子工業株式会社 JAPAN AVIATION ELECTRONICS INDUSTRY, LTD.
JACS-70039		19.Jun.2006	2:1	OPT	
一般公差 (GENERAL TOLERANCE)		製図 DR.	名称 (TITLE)		
寸法 (DIMENSION)		Y.HIROKI	FO-EX-LCAD1		
角度 (ANGLES)		担当 CHK.	Y.HIROKI		図面番号 (DRAWING NO.) SJ106878
. ±0.8		査閲 APPD.	Y. Horeeda		
.X ±0.4		承認 APPD.	A. Omegawa		
.XX ±0.1					質量 (MASS)
.XXX ±					

DOF-0-212F(05.08)

