



Chipsmall Limited consists of a professional team with an average of over 10 year of expertise in the distribution of electronic components. Based in Hongkong, we have already established firm and mutual-benefit business relationships with customers from,Europe,America and south Asia,supplying obsolete and hard-to-find components to meet their specific needs.

With the principle of “Quality Parts,Customers Priority,Honest Operation,and Considerate Service”,our business mainly focus on the distribution of electronic components. Line cards we deal with include Microchip,ALPS,ROHM,Xilinx,Pulse,ON,Everlight and Freescale. Main products comprise IC,Modules,Potentiometer,IC Socket,Relay,Connector.Our parts cover such applications as commercial,industrial, and automotives areas.

We are looking forward to setting up business relationship with you and hope to provide you with the best service and solution. Let us make a better world for our industry!



Contact us

Tel: +86-755-8981 8866 Fax: +86-755-8427 6832

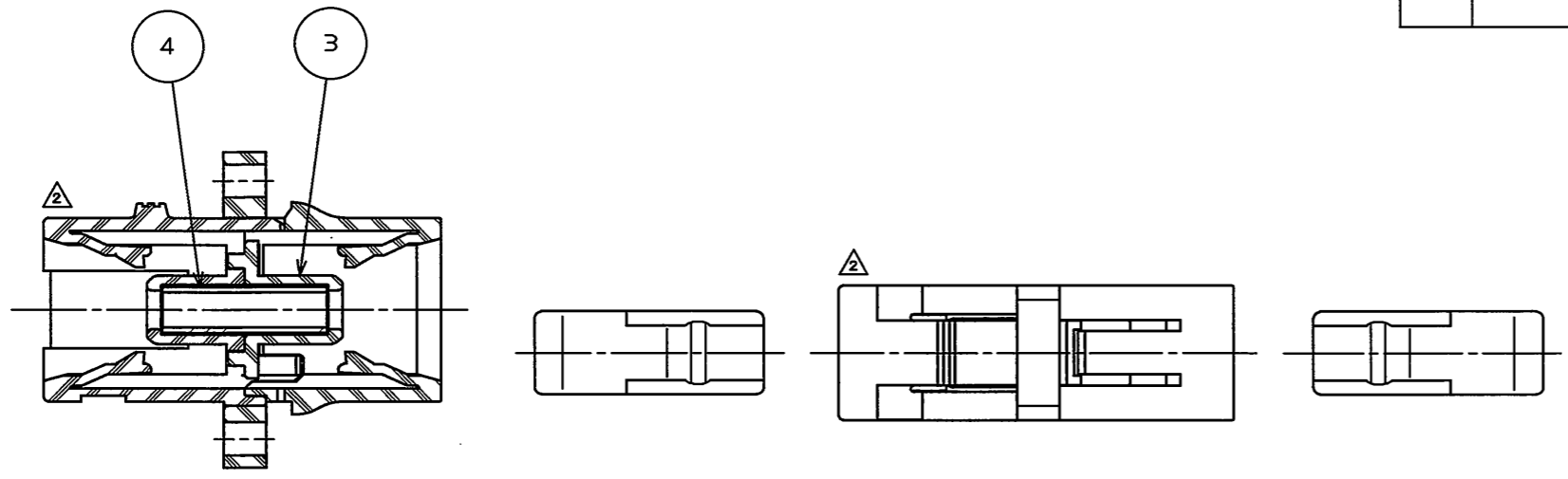
Email & Skype: info@chipsmall.com Web: www.chipsmall.com

Address: A1208, Overseas Decoration Building, #122 Zhenhua RD., Futian, Shenzhen, China



ZE6901RS
(ON ENIMVHD) 台型図

版数 REV.	年月日 DATE	DCN NO.	変更内容 DESCRIPTION	製図 DR.	担当 CHK.	査閲 APPD.	承認 APPD.
2	9.Jan.2007	061976	Configuration ODR Designation. 形状変更・ハネル取付開口指定追加	KATAGIYAMA	KATAGIYAMA	Y.KOREEDA	A.ONOGAWA
3	3.Mar.2009	067084	Specification number addition. 仕様番号追加	KATAGIYAMA	KATAGIYAMA	Y. Koreeda	H. Shimazu



DESIGNATION
命名法

FO-EX-SCAD*-*-*

COLOR VARIATION
(001:BLUE, 002:GREEN, 003:BEIGE)
色(001:青, 002:緑, 003:ベージュ)

ALIGNMENT SLEEVE MATERIAL
(1:PHOSPHOR BRONZE, 2:ZIRCONIA)
割スリーブ材質(1:リン青銅, 2:ジルコニア)

ADAPTER FORM (SC SIMPLEX TYPE)
アダプタ形態(SC単心タイプ)

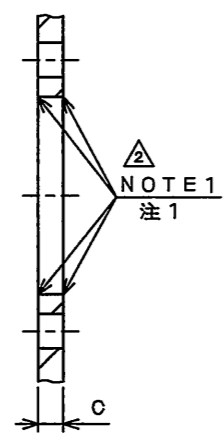
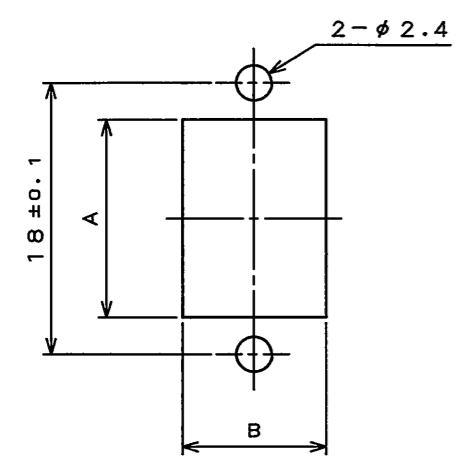
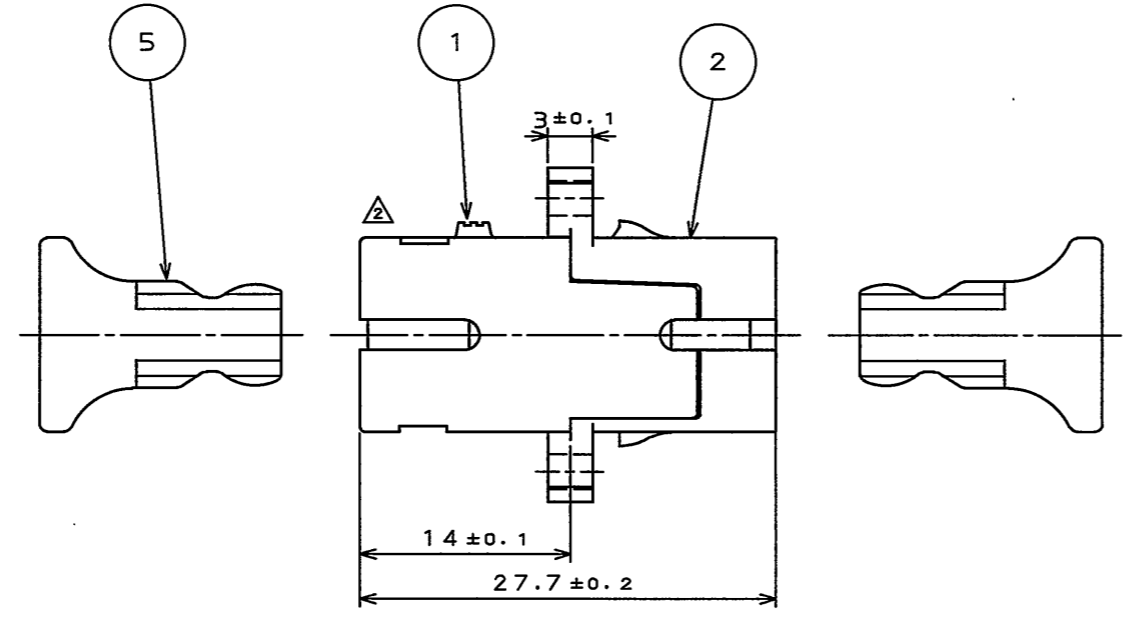
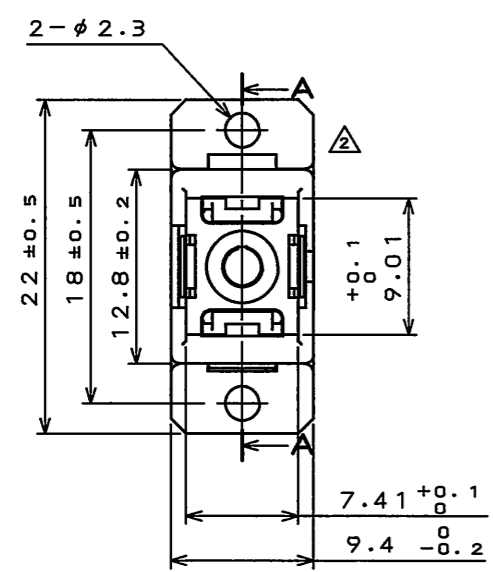
SC CONNECTOR APPLICATION PRODUCT
SCコネクタ適応品

SERIES NAME
シリーズ名

SPECIFICATION
仕様

INSERTION LOSS:0.4dB MAX
OPERATING TEMPERATURE RANGE:-40℃ TO +85℃
DURABILITY:500 TIMES

挿入損失:0.4dB以下
使用温度範囲:-40℃~+85℃
繰返し動作回数:500回



	MIN	MAX
A	13.1	13.6
B	9.5	10.0
C	1.50	1.75

NOTE 1
注1

NOTE 1. RO.1 MAX
注1. 取り付け開口のエッジはRO.1以下とする。

PANEL CUTOUT DIMENSION
パネル取付寸法

5	DUST CAP	2	SYNTHETIC RESIN		
4	SPLIT SLEEVE	1	PHOSPHOR BRONZE or ZIRCONIA		
3	SLEEVE HOLDER	1	SYNTHETIC RESIN		
2	REAR HOUSING	1	SYNTHETIC RESIN		
1	FRONT HOUSING	1	SYNTHETIC RESIN		
符号 NO.	名称 DESCRIPTION	個数 QTY.	材料 MATERIAL	仕上 FINISH	備考 REMARKS
仕様書(SPECIFICATION)		第1版(ORIGINAL DATE)	尺度(SCALE)	シリーズ(SERIES)	日本航空電子工業株式会社 JAPAN AVIATION ELECTRONICS INDUSTRY, LTD. 図面番号(DRAWING NO.) SJ106937
△ JACS-70083		5.Jul.2006	2:1	OPT	
一般差(GENERAL TOLERANCE)		製図 DR.	名称(TITLE)		
寸法(DIMENSION)		担当 CHK.	FO-EX-SCAD*-*-*		
. ±0.8		査閲 APPD.	質量(MASS)		
.X ±0.4		承認 APPD.	◎		
.XX ±0.1					
.XXX ±					
角度(ANGLES)					
.° ±					
.X° ±					
.XX° ±					
.XXX° ±					

DOF-0-212F(05.06)

