



Chipsmall Limited consists of a professional team with an average of over 10 year of expertise in the distribution of electronic components. Based in Hongkong, we have already established firm and mutual-benefit business relationships with customers from,Europe,America and south Asia,supplying obsolete and hard-to-find components to meet their specific needs.

With the principle of “Quality Parts,Customers Priority,Honest Operation,and Considerate Service”,our business mainly focus on the distribution of electronic components. Line cards we deal with include Microchip,ALPS,ROHM,Xilinx,Pulse,ON,Everlight and Freescale. Main products comprise IC,Modules,Potentiometer,IC Socket,Relay,Connector.Our parts cover such applications as commercial,industrial, and automotives areas.

We are looking forward to setting up business relationship with you and hope to provide you with the best service and solution. Let us make a better world for our industry!



Contact us

Tel: +86-755-8981 8866 Fax: +86-755-8427 6832

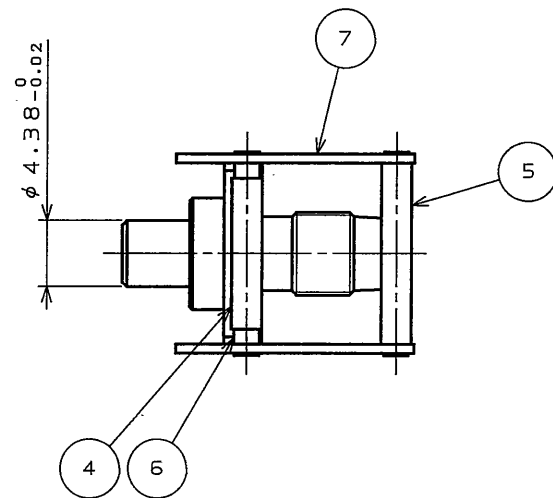
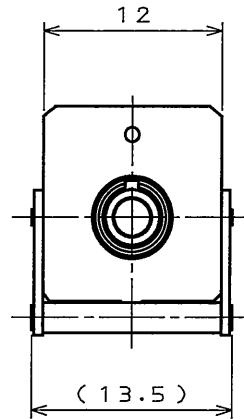
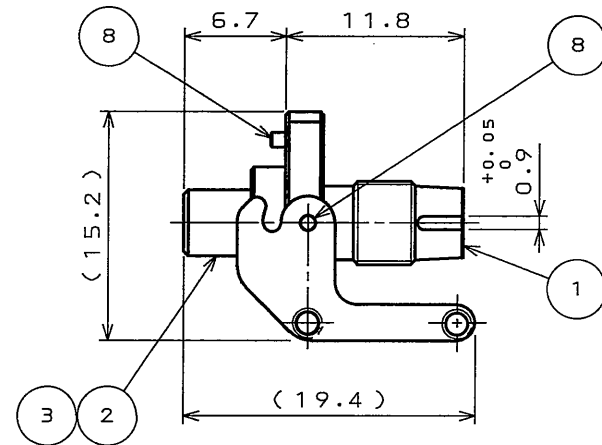
Email & Skype: info@chipsmall.com Web: www.chipsmall.com

Address: A1208, Overseas Decoration Building, #122 Zhenhua RD., Futian, Shenzhen, China



版数 REV.	年月日 DATE	DCN NO.	変更内容 DESCRIPTION	製図 DR.	担当 CHK.	査閲 APPD.	承認 APPD.

E474343
 (DRAWING NO.) 図番



1. Optical Performance

(The performance when the item is mated with FO-FC-RS-A-R(SJ104350))

Insertion Loss 0.5dB Max(note1)

note1. The value shows insertion loss in case that a master optical connector, to which APC connection is available, and a master optical connector, to which APC connection is available, are connected.

2. Mechanical Performance

Unlock force of lever : 2.9N MIN

1. 光学性能 (FO-FC-RS-A-R(SJ104350) と嵌合した時の性能である)

挿入損失 0.5dB以下(注1)

注1. APC接続が可能なマスター光コネクタとAPC接続が可能なマスター光コネクタを接続した場合の値である。

2. 機械性能

レバー離脱力 : 2.9N以上

8	PARALLEL PIN	3	STAINLESS STEEL		
7	LEVER	2	STAINLESS STEEL		
6	LEVER PIN2	1	STAINLESS STEEL		
5	LEVER PIN1	1	STAINLESS STEEL		
4	STAINLESS PIPE	1	STAINLESS STEEL		
3	SLIT SLEEVE	1	CERAMIC		
2	SLEEVE HOLDER	1	COPPER ALLOY	NICKEL PLATING	
1	FRONT SHELL	1	COPPER ALLOY	NICKEL PLATING	
符号 NO.	名称 DESCRIPTION	個数 QTY.	材料 MATERIAL	仕上 FINISH	備考 REMARKS
仕様書 (SPECIFICATION)		第1版 (ORIGINAL DATE) 30.Jun.2005		尺度 (SCALE) 2:1	シリーズ (SERIES) OPT
公差 (GENERAL TOLERANCE)		製図 DR. Y.HIROKI		名称 (TITLE) FO-FC-FS (DIN-A1) -STD-R	
寸法 (DIMENSION)		担当 CHK. Y.HIROKI		日本航空電子工業株式会社 JAPAN AVIATION ELECTRONICS INDUSTRY, LTD.	
角度 (ANGLES)		査閲 APPD. H. Shimizu			
. ±0.8		承認 APPD. A. Onogawa			
.X ±0.4					
.XX ±0.1				図面番号 (DRAWING NO.) SJ104343	
.XXX ±				版数 (REV.) 1	

