



Chipsmall Limited consists of a professional team with an average of over 10 year of expertise in the distribution of electronic components. Based in Hongkong, we have already established firm and mutual-benefit business relationships with customers from,Europe,America and south Asia,supplying obsolete and hard-to-find components to meet their specific needs.

With the principle of “Quality Parts,Customers Priority,Honest Operation,and Considerate Service”,our business mainly focus on the distribution of electronic components. Line cards we deal with include Microchip,ALPS,ROHM,Xilinx,Pulse,ON,Everlight and Freescale. Main products comprise IC,Modules,Potentiometer,IC Socket,Relay,Connector.Our parts cover such applications as commercial,industrial, and automotives areas.

We are looking forward to setting up business relationship with you and hope to provide you with the best service and solution. Let us make a better world for our industry!



## Contact us

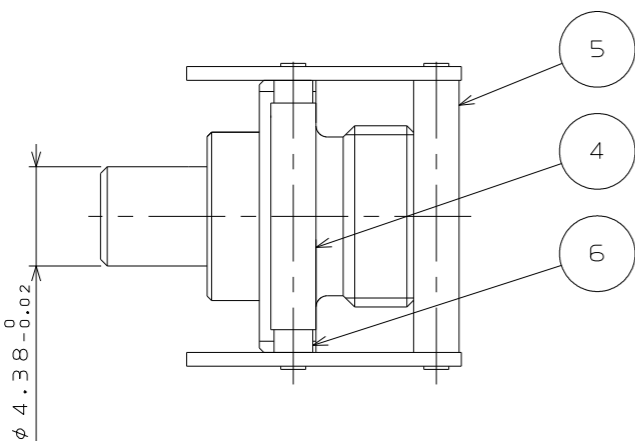
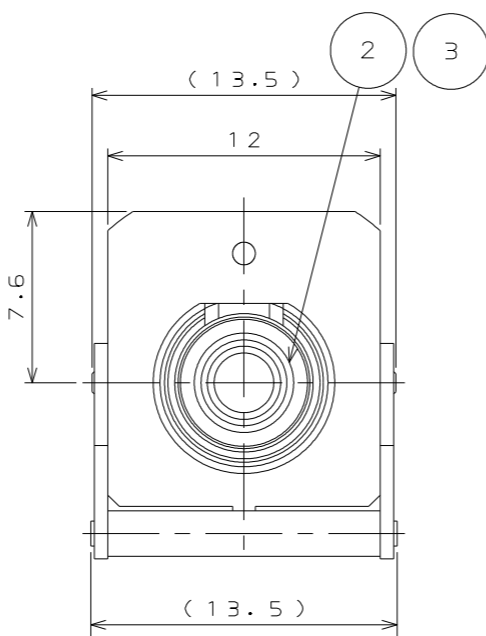
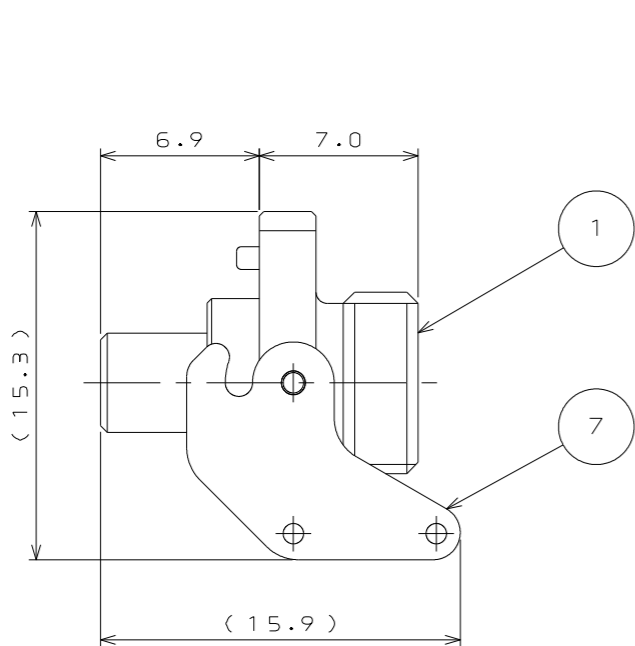
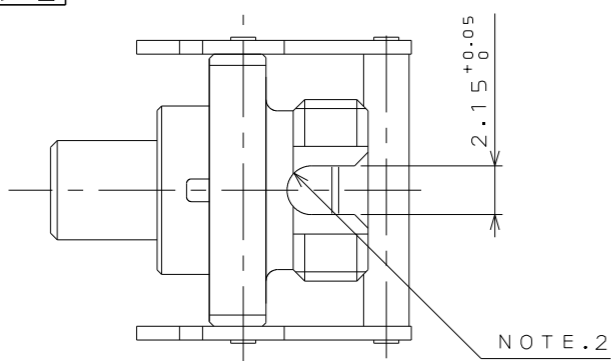
Tel: +86-755-8981 8866 Fax: +86-755-8427 6832

Email & Skype: info@chipsmall.com Web: www.chipsmall.com

Address: A1208, Overseas Decoration Building, #122 Zhenhua RD., Futian, Shenzhen, China



図面番号(DRAWING NO.) SJ036348



版数 VER.	年月日 DATE	CN NO.	変更内容 DESCRIPTION	製図 DR.	担当 CHK.	査閲 APPD.	承認 APPD.
2	4.Jul.2013	006853	Notes written change and add a notes 3 postscript 注記記載変更及び注記3追加	N.KATAGIYAMA	N.KATAGIYAMA	Y.KOREEDA	H.SHIMAZU

Optical Performance

Insertion Loss : 0.4dB Max (note1)

NOTE1.

The value shows insertion loss in case that a master optical connector, to which PC connection is available, and a master optical connector, to which PC connection is available, are connected.

△ (The performance when the item is mated with FO-FC-RS-A-R(SJ104350))

Mechanical Performance

Unlock force of lever : 2.9N MIN

NOTE.2

The Shape of indicuated Radius Part is not strict requirement.

△ NOTE3.

This product is the same product as FO-FC-FS(FC-A1).

光学性能

挿入損失 : 0.4dB以下(注1)

注1.PC接続が可能なマスター光コネクタとPC接続が可能なマスター光コネクタを接続した場合の値である。

△(FO-FC-RS-A-R(SJ104350)と嵌合した時)

機械性能

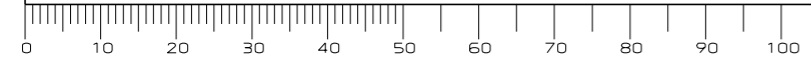
レバー離脱力 : 2.9N以上

注2. 指示部の形状はR形状でなくともよい。

△注3.本製品はFO-FC-FS(FC-A1)と同製品である。

7	LEVER	2	STAINLESS		
6	LEVER PIN2	1	STAINLESS		
5	LEVER PIN1	1	STAINLESS		
4	STAINLESS PIPE	1	STAINLESS		
3	SLIT SLEEVE	1	CERAMIC		
2	SLEEVE HOLDER	1	STAINLESS		
1	FC-A1 FRONT SHELL	1	STAINLESS		
符号 NO.	名称 DESCRIPTION	個数 QTY.	材料 MATERIAL	仕上 FINISH	備考 REMARKS
仕様書(SPECIFICATION)		第1版(ORIGINAL DATE) 11.Jun.2002		尺度(SCALE) N: S	シリーズ(SERIES) OPT
JACS-7529		製図 DR.	Y.HIROKI	名称(TITLE) FO-FC-FS(FC-A1) -STD	
一般公差(GENERAL TOLERANCE)		担当 CHK.	H.KOBAYASHI	日本航空電子工業株式会社 JAPAN AVIATION ELECTRONICS INDUSTRY, LTD. 	
寸法(DIMENSION)	角度(ANGLES)	査閲 APPD.			
. ±0.8	X° ±	承認 APPD.	A.ONOGAWA		
.X ±0.4	X°X' ±				
.XX ±0.1				質量(MASS)	
.XXX ±	単位(UNIT): mm				
					図面番号(DRAWING NO.) SJ036348

DCF-C-212H(12.08)



WISDOM承認 2013/07/09

CDS-01-150-50618

SIZE A3 版数 (VER.) 2