



Chipsmall Limited consists of a professional team with an average of over 10 year of expertise in the distribution of electronic components. Based in Hongkong, we have already established firm and mutual-benefit business relationships with customers from,Europe,America and south Asia,supplying obsolete and hard-to-find components to meet their specific needs.

With the principle of “Quality Parts,Customers Priority,Honest Operation,and Considerate Service”,our business mainly focus on the distribution of electronic components. Line cards we deal with include Microchip,ALPS,ROHM,Xilinx,Pulse,ON,Everlight and Freescale. Main products comprise IC,Modules,Potentiometer,IC Socket,Relay,Connector.Our parts cover such applications as commercial,industrial, and automotives areas.

We are looking forward to setting up business relationship with you and hope to provide you with the best service and solution. Let us make a better world for our industry!



Contact us

Tel: +86-755-8981 8866 Fax: +86-755-8427 6832

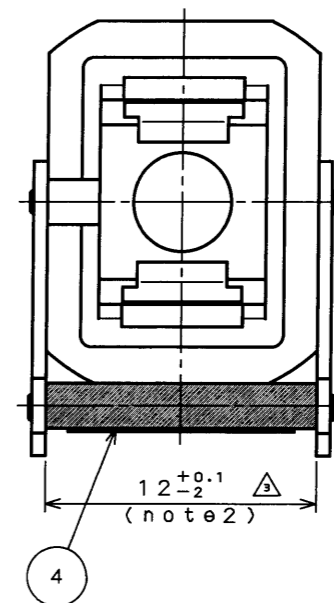
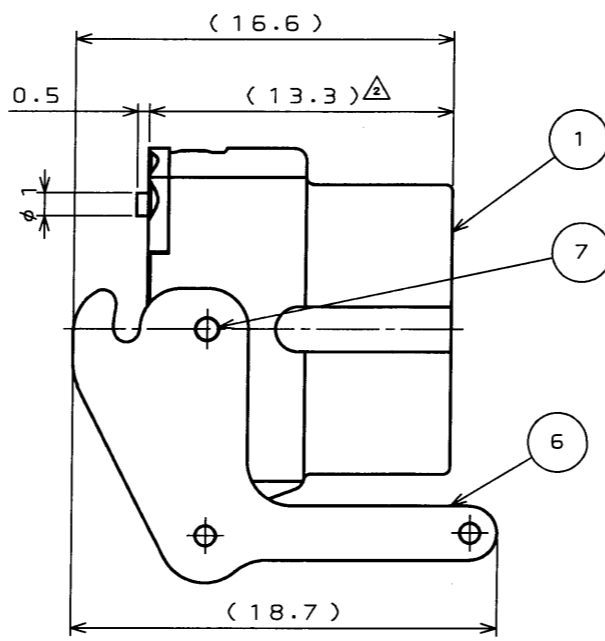
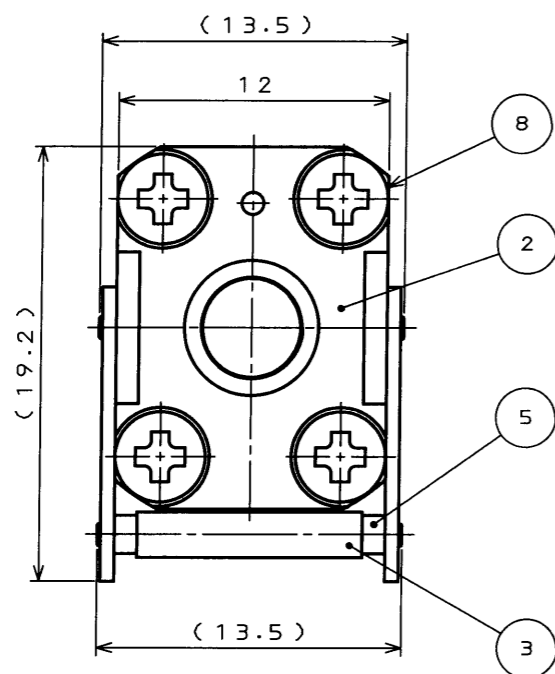
Email & Skype: info@chipsmall.com Web: www.chipsmall.com

Address: A1208, Overseas Decoration Building, #122 Zhenhua RD., Futian, Shenzhen, China



SJ037205
(ON ENIMARD) 品番図

版数 REV.	年月日 DATE	DGN NO.	変更内容 DESCRIPTION	製図 DR.	担当 CHK.	査閲 APPD.	承認 APPD.
2	10.Sep.2002	50605	Correcting an error.	H.KOBAYASHI	H.KOBAYASHI	—	A.ONOGAWA
3	5.Aug.2003	52571	Add plating to identify.	H.KOBAYASHI	H.KOBAYASHI	H. Shimazu	A. Onogawa



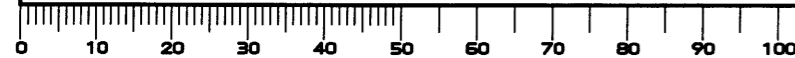
note1 Mechanical Performance
Unlock force of lever : 2.9N MIN
△note2 Plated Dimension

注1.機械性能
レバー離脱力 : 2.9N以上
△注2.メッキ寸法

8	CROSS-RECESSED HEAD MACHINE SCREWS	4	COPPER ALLOY	NICKEL PLATING	
7	PARALELL PIN	2	STAINLESS STEEL		
6	LEVER	2	STAINLESS STEEL		
5	LEVER PIN2	1	STAINLESS STEEL		
△4	LEVER PIN1-1	1	STAINLESS STEEL	CHROME PLATING (BLACK)	
3	STAINLESS PIPE	1	STAINLESS STEEL		
2	R001-NAIL PLATE	1	SYNTHETIC RESIN		
1	SHELL	1	ZDC	NICKEL PLATING	

符号 NO.	名称 DESCRIPTION	個数 QTY.	材料 MATERIAL	仕上 FINISH	備考 REMARKS
仕様書 (SPECIFICATION)		第1版 (ORIGINAL DATE)		尺 (SCALE)	
JACS-7546		3.Sep.2002		△ N:S OPT	
公差 (GENERAL TOLERANCE)		製図 DR.		名称 (TITLE)	
寸法 (DIMENSION)		H.KOBAYASHI		FO-FS(SC)-R001	
角度 (ANGLES)		担当 CHK.		重量 (WEIGHT)	
. ± 0.8		H.KOBAYASHI			
.X ± 0.4		査閲 APPD.			
.XX ± 0.1		承認 APPD.		H.SHIMAZU	
.XXX ±		A.ONOGAWA		H. Shimazu	
				A. Onogawa	

DOF-0-212D(98.02)



CDS-02-150-10345
SIZE A3
版数 (REV.) 3