



Chipsmall Limited consists of a professional team with an average of over 10 year of expertise in the distribution of electronic components. Based in Hongkong, we have already established firm and mutual-benefit business relationships with customers from,Europe,America and south Asia,supplying obsolete and hard-to-find components to meet their specific needs.

With the principle of “Quality Parts,Customers Priority,Honest Operation,and Considerate Service”,our business mainly focus on the distribution of electronic components. Line cards we deal with include Microchip,ALPS,ROHM,Xilinx,Pulse,ON,Everlight and Freescale. Main products comprise IC,Modules,Potentiometer,IC Socket,Relay,Connector.Our parts cover such applications as commercial,industrial, and automotives areas.

We are looking forward to setting up business relationship with you and hope to provide you with the best service and solution. Let us make a better world for our industry!



Contact us

Tel: +86-755-8981 8866 Fax: +86-755-8427 6832

Email & Skype: info@chipsmall.com Web: www.chipsmall.com

Address: A1208, Overseas Decoration Building, #122 Zhenhua RD., Futian, Shenzhen, China

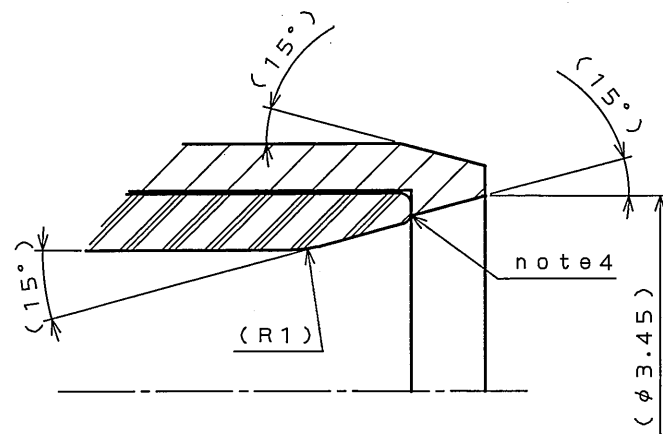
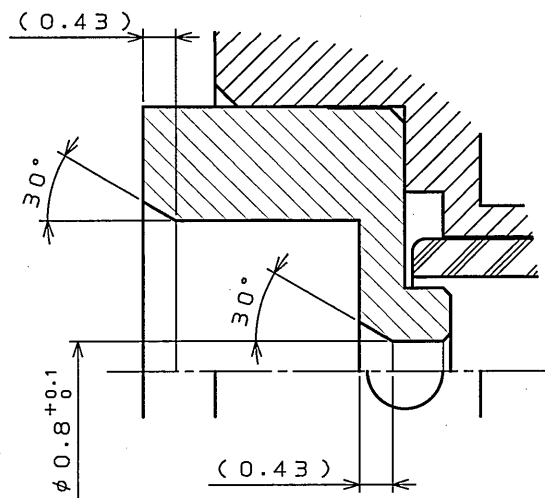
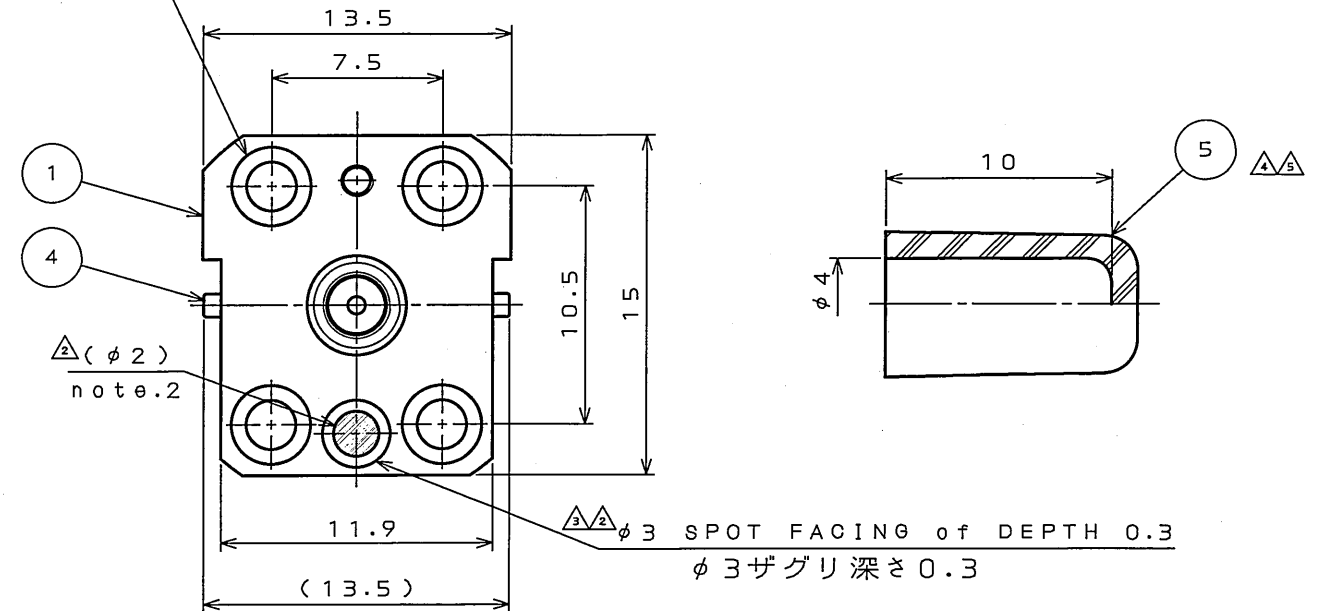
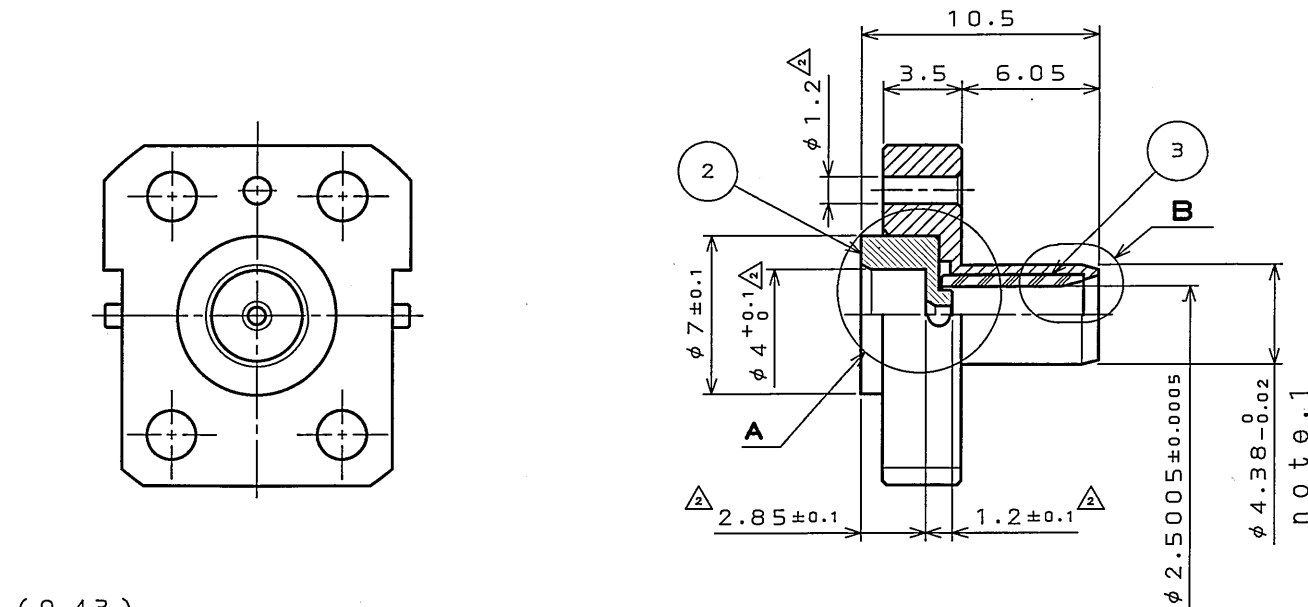


EOZLEOPS

(ON THINNING) 台要理図

版数 REV.	年月日 DATE	DCN NO.	変更内容 DESCRIPTION	製図 DR.	担当 CHK.	査閲 APPD.	承認 APPD.
2	5.Aug.2003	52571	Add identified mark, etc	H.KOBAYASHI	H.KOBAYASHI	H.SHIMAZU	A.ONOGAWA
3	4.Sep.2003	053224	Shift of identified mark.	H.KOBAYASHI	H.KOBAYASHI	H.SHIMAZU	A.ONOGAWA
4	20.Nov.2003	053738	Add a DUST CAP.	H.KOBAYASHI	H.KOBAYASHI	H.SHIMAZU	A.ONOGAWA
5	21.Jan.2004	054172	Change of shell shape and dust cap material.	H.KOBAYASHI	H.KOBAYASHI	H.Shimazu	A.Onogawa

4- $\phi 2.2^{+0.2}$ THROUGH HOLE $\phi 3.5^{+0.1}$ DEPTH $1.5^{+0.1}$ SPOT FACING
 4- $\phi 2.2^{+0.2}$ 通し後 $\phi 3.5^{+0.1}$ 深さ $1.5^{+0.1}$ 座ぐり

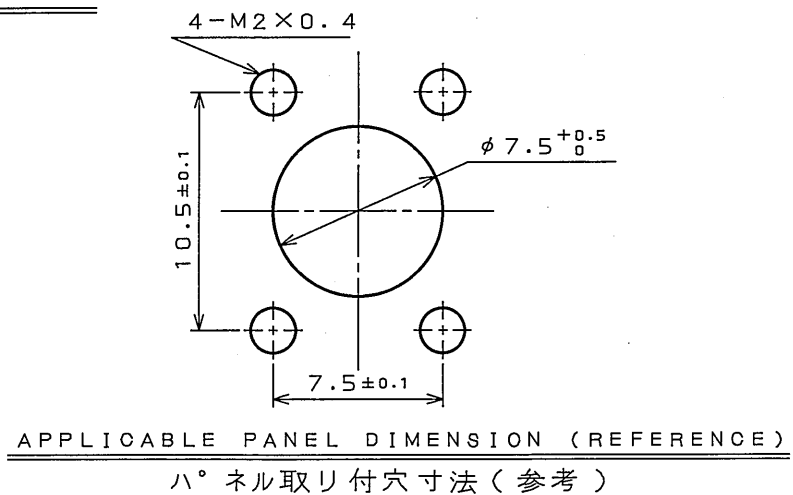


△note1. In case FO-RS-R001 mates to FO-FS(FC)-R001, the dimension conforms to IEC 61754-13. However in case the parts mates to FO-FS(SC)-R001, it does not conform to IEC 61754-4.

△note2. Printing of Black.
 △note3. DUST CAP is inserted before shipping.
 △note4. Chamfered edge.
 △注1. 本製品のnote1寸法は、FO-FS(FC)-R001の結合時は、IEC 61754-13(FC)に準拠しているが、FO-FS(SC)-R001との結合時は、IEC 61754-4(SC)に準拠していない。
 △注2. 黒色の印刷。
 △注3. 出荷時、ダストキャップはシェルに装着されている事。
 △注4. 糸面取りの事。

DETAIL A

DETAIL B



符号 NO.	名称 DESCRIPTION	個数 QTY.	材料 MATERIAL	仕上 FINISH	備考 REMARKS
5	DUST CAP	1	ELASTOMER (BLACK) △		
4	PARALLEL PIN	2	STAINLESS STEEL		
3	R001-SLEEVE	1	CERAMIC		
2	R001-REAR STOPPER	1	STAINLESS STEEL		
1	R001-REAR SHELL	1	STAINLESS STEEL		

仕様書 (SPECIFICATION)		第1版 (ORIGINAL DATE)		尺貫 (SCALE)	
JACS-7546		3.Sep.2002		1:1	
公差 (GENERAL TOLERANCE)		製図 (DR.)		名称 (TITLE)	
寸法 (DIMENSION)		担当 (CHK.)		FO-RS-R001	
角度 (ANGLES)		査閲 (APPD.)		重量 (WEIGHT)	
. ±0.8		承認 (APPD.)		SJ037203	
.X ±0.4		A.ONOGAWA		図面番号 (DRAWING NO.)	
.XX ±0.1				版数 (REV.)	
.XXX ±				5	

DOF-0-212E(03.08)

