



Chipsmall Limited consists of a professional team with an average of over 10 year of expertise in the distribution of electronic components. Based in Hongkong, we have already established firm and mutual-benefit business relationships with customers from,Europe,America and south Asia,supplying obsolete and hard-to-find components to meet their specific needs.

With the principle of “Quality Parts,Customers Priority,Honest Operation,and Considerate Service”,our business mainly focus on the distribution of electronic components. Line cards we deal with include Microchip,ALPS,ROHM,Xilinx,Pulse,ON,Everlight and Freescale. Main products comprise IC,Modules,Potentiometer,IC Socket,Relay,Connector.Our parts cover such applications as commercial,industrial, and automotives areas.

We are looking forward to setting up business relationship with you and hope to provide you with the best service and solution. Let us make a better world for our industry!



Contact us

Tel: +86-755-8981 8866 Fax: +86-755-8427 6832

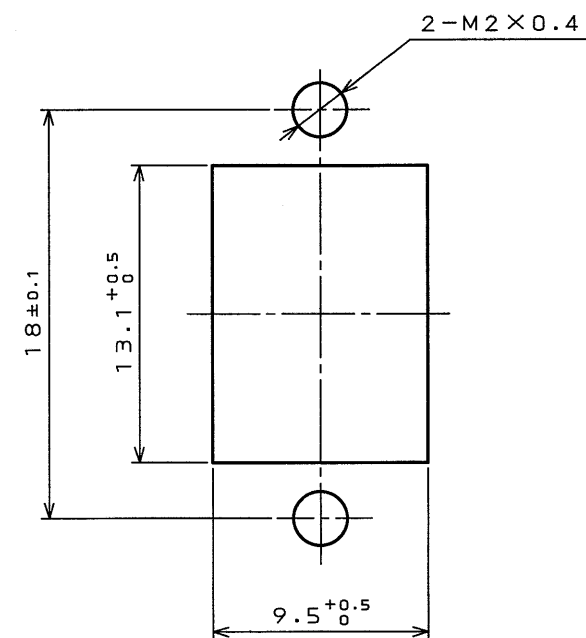
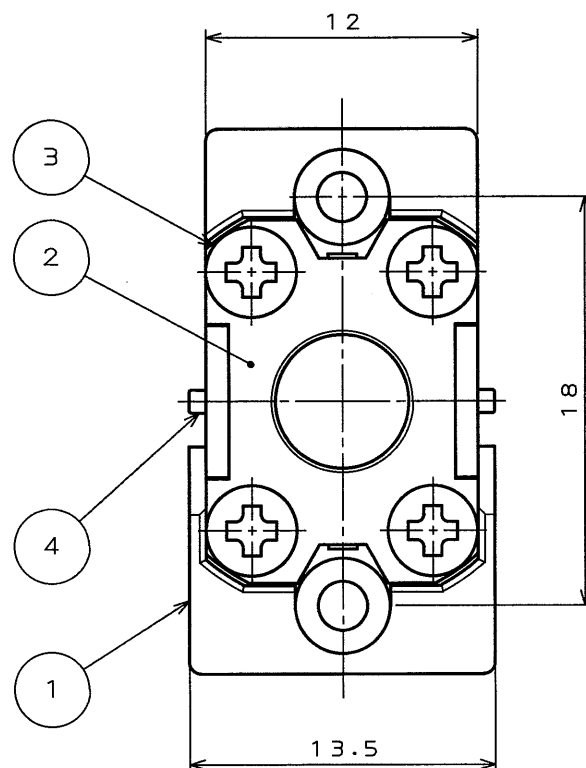
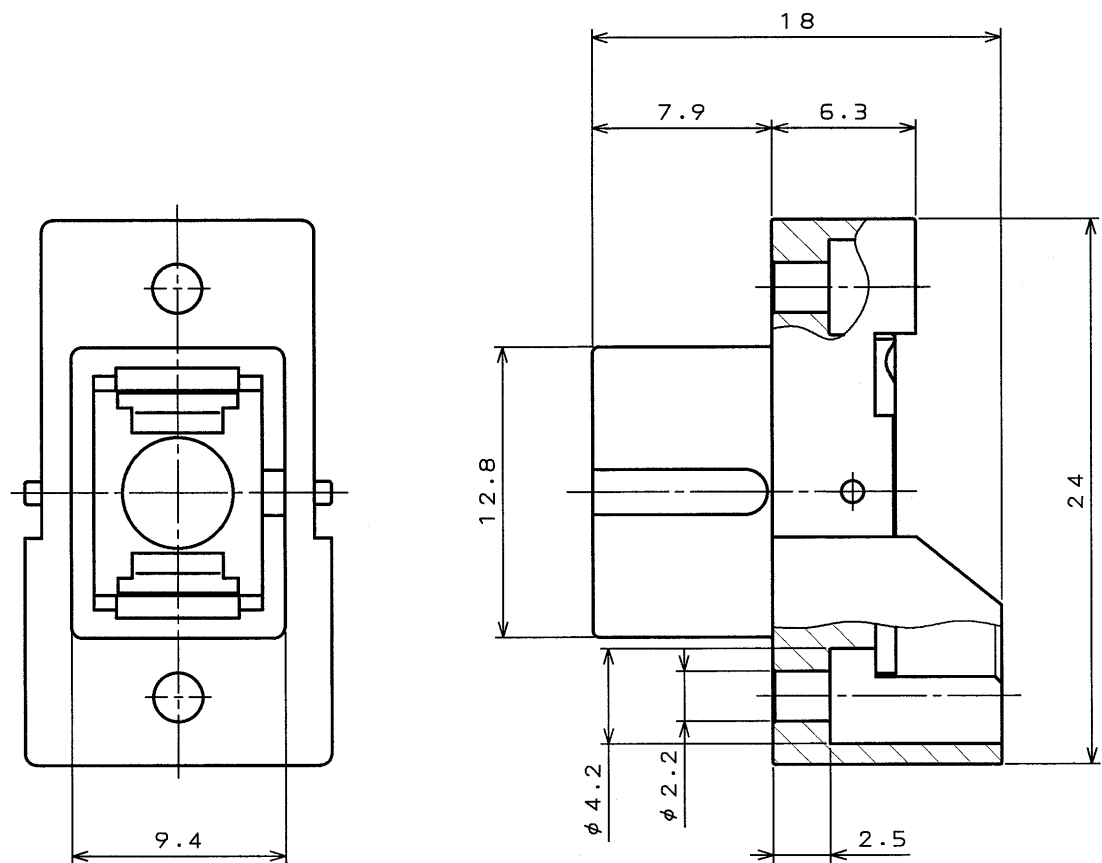
Email & Skype: info@chipsmall.com Web: www.chipsmall.com

Address: A1208, Overseas Decoration Building, #122 Zhenhua RD., Futian, Shenzhen, China



SE09E0RS
(ON ENIMVH) 5番理図

版数 REV.	年月日 DATE	DCN NO.	変更内容 DESCRIPTION	製図 DR.	担当 CHK.	査閲 APPD.	承認 APPD.
2	11.Jun.2002	50133	TITLE CHANGE, etc	Y.HIROKI	H.KOBAYASHI	—	A. Onogawa



APPLICABLE PANEL DIMENSION
パネル取り付け寸法

- △ 1. Do not apply the load larger than 19.6N to SC ferrules, when SC connector is mated with FO-SC-RS-N.
- △ 1. SCコネクタをFO-SC-RS-Nに嵌合した際、SCフェルルに19.6N以上の力を加えないこと。

符号 NO.	名称 DESCRIPTION	個数 QTY.	材料 MATERIAL	仕上 FINISH	備考 REMARKS
4	PARALLEL PIN	2	STAINLESS STEEL	—	—
3	CROSS-RECESSED HEAD MACHINE SCREWS	4	COPPER ALLOY	NICKEL PLATING	—
2	REAR NAIL PLATE	1	SYNTHETIC RESIN	—	—
1	SC REAR SHELL	2	ZINC	NICKEL PLATING	—

仕様書 (SPECIFICATION)	第1版 (ORIGINAL DATE)	尺度 (SCALE)	シリーズ (SERIES)
JACS-7527	26.Oct.2001	N: S	—

公差 (GENERAL TOLERANCE)	製図 DR.	名称 (TITLE)
寸法 (DIMENSION)	H.KOBAYASHI	△
角度 (ANGLES)	H.KOBAYASHI	—
. ± 0.8	担当 CHK.	—
.X ± 0.4	H.KOBAYASHI	—
.XX ± 0.1	査閲 APPD.	—
.XXX ±	承認 APPD.	—
	A.ONOGAWA	—

名称 (TITLE)	重量 (WEIGHT)	図面番号 (DRAWING NO.)	版数 (REV.)
FO-SC-RS-N	—	SJ036035	2