



Chipsmall Limited consists of a professional team with an average of over 10 year of expertise in the distribution of electronic components. Based in Hongkong, we have already established firm and mutual-benefit business relationships with customers from,Europe,America and south Asia,supplying obsolete and hard-to-find components to meet their specific needs.

With the principle of “Quality Parts,Customers Priority,Honest Operation,and Considerate Service”,our business mainly focus on the distribution of electronic components. Line cards we deal with include Microchip,ALPS,ROHM,Xilinx,Pulse,ON,Everlight and Freescale. Main products comprise IC,Modules,Potentiometer,IC Socket,Relay,Connector.Our parts cover such applications as commercial,industrial, and automotives areas.

We are looking forward to setting up business relationship with you and hope to provide you with the best service and solution. Let us make a better world for our industry!



## Contact us

Tel: +86-755-8981 8866 Fax: +86-755-8427 6832

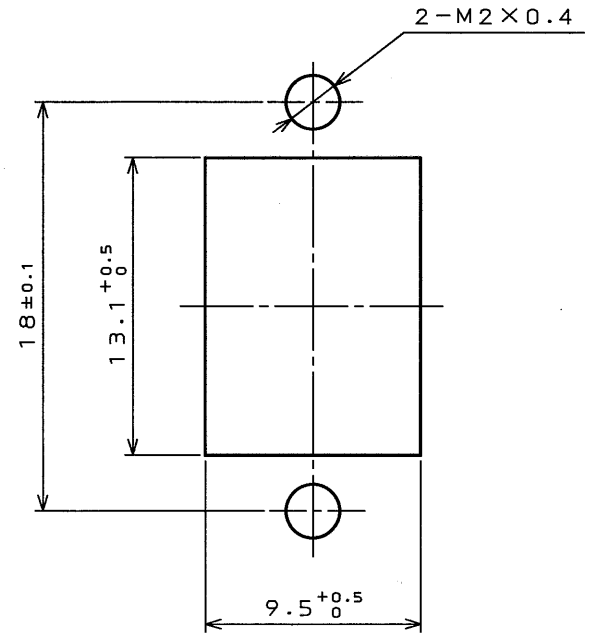
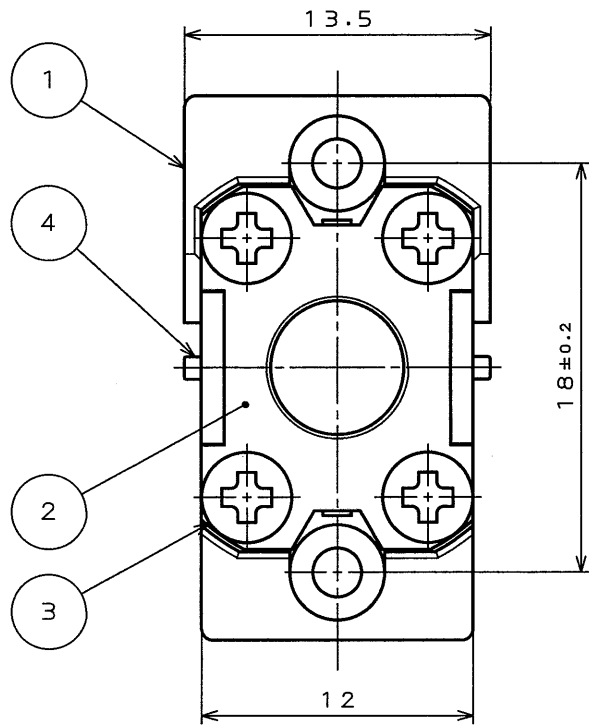
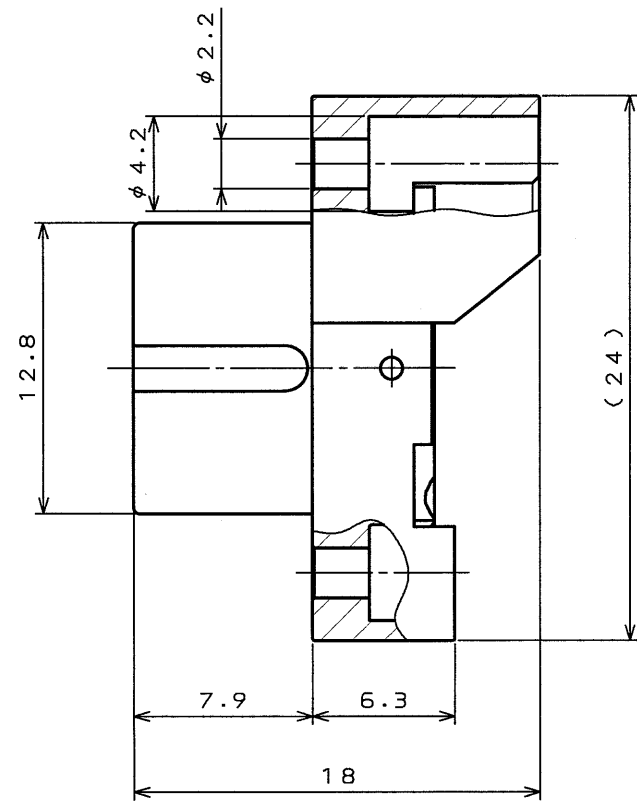
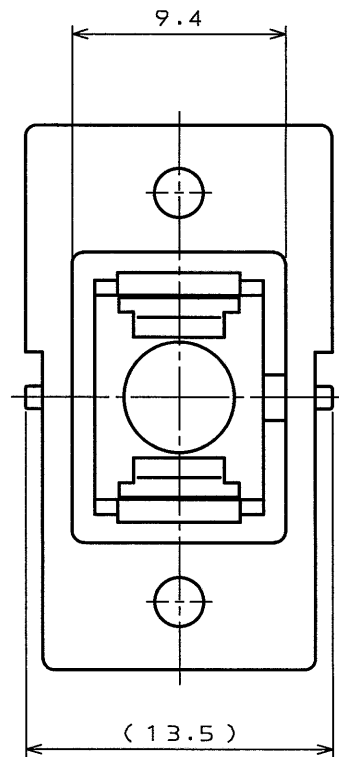
Email & Skype: info@chipsmall.com Web: www.chipsmall.com

Address: A1208, Overseas Decoration Building, #122 Zhenhua RD., Futian, Shenzhen, China



SJ036473  
(ON DRAWING NO.)

版数 REV.	年月日 DATE	DCN NO.	変更内容 DESCRIPTION	製図 DR.	担当 CHK.	査閲 APPD.	承認 APPD.
2	11.Jun.2002	50133	TITLE CHANGE	Y.HIROKI	H.KOBAYASHI	—	A.Onogawa



APPLICABLE PANEL DIMENSION (REFERENCE)  
ハ°ネル取り付穴寸法(参考)

△ NOTE1. Do not apply the load larger than 19.6N to SC ferrules, when SC connector is mated with FO-SC-RS-N2.

△ 注1. SCコネクタをFO-SC-RS-N2に嵌合した際、SCフェルルに19.6N以上の力を加えないこと。

符号 NO.	名称 DESCRIPTION	個数 QTY.	材料 MATERIAL	備考 REMARKS
4	PARALLEL PIN	2	STAINLESS STEEL	
3	CROSS RECESSED HEAD SCREW	4	COPPER ALLOY	NICKEL PLATING
2	REAR NAIL PLATE	1	SYNTHETIC RESIN	
1	SC REAR SHELL	3	ZINC	NICKEL PLATING

仕様書 (SPECIFICATION)	第1版 (ORIGINAL DATE)	尺度 (SCALE)	シリーズ (SERIES)	日本航空電子工業株式会社 JAPAN AVIATION ELECTRONICS INDUSTRY, LTD. 
JACS-7536	10.Jan.2002	N: S	Reference Only	
公差 (GENERAL TOLERANCE)	製図 DR.	名称 (TITLE) △ FO-SC-RS-N2		
寸法 (DIMENSION)	担当 CHK.			
角度 (ANGLES)	査閲 APPD.			
. ±0.8	×° ±	承認 APPD.	A.ONOGAWA	図面番号 (DRAWING NO.)
.X ±0.4	×°X ±	重量 (WEIGHT)		SJ036473
.XX ±0.1				版数 (REV.)
.XXX ±				2

DOF-0-212D(98.02)

ODS-01-150-50575

SIZE A3

本図面は日本航空電子工業(株)の所有する情報を含むもので当社の許可なく複製を禁止する。  
THIS DRAWING CONTAINS INFORMATION THAT IS PROPRIETARY TO JAE AND CAN NOT BE REPRODUCED WITHOUT WRITTEN CONSENT OF JAE.