



Chipsmall Limited consists of a professional team with an average of over 10 year of expertise in the distribution of electronic components. Based in Hongkong, we have already established firm and mutual-benefit business relationships with customers from,Europe,America and south Asia,supplying obsolete and hard-to-find components to meet their specific needs.

With the principle of "Quality Parts,Customers Priority,Honest Operation,and Considerate Service",our business mainly focus on the distribution of electronic components. Line cards we deal with include Microchip,ALPS,ROHM,Xilinx,Pulse,ON,Everlight and Freescale. Main products comprise IC,Modules,Potentiometer,IC Socket,Relay,Connector.Our parts cover such applications as commercial,industrial, and automotives areas.

We are looking forward to setting up business relationship with you and hope to provide you with the best service and solution. Let us make a better world for our industry!



Contact us

Tel: +86-755-8981 8866 Fax: +86-755-8427 6832

Email & Skype: info@chipsmall.com Web: www.chipsmall.com

Address: A1208, Overseas Decoration Building, #122 Zhenhua RD., Futian, Shenzhen, China



FP0807

High frequency, high current power inductors



Product description

- High current carrying capacity
- Low core losses
- Inductance range from 70nH to 220nH
- Current range from 35 to 108 amps
- Frequency range up to 2MHz
- 7.4 x 7.6 footprint surface mount package in a 7.0mm height
- Ferrite core material
- Halogen free, lead free, RoHS compliant

Applications

- Multi-phase and Vcore regulators
- Voltage Regulator Module (VRM)
- Desktop and server VRMs and EVRDs
- Data networking and storage systems
- Graphics cards and battery power systems
- Point-of-load modules

Environmental Data

- Storage temperature range: -40°C to +125°C
- Operating temperature range: -40°C to +125°C (ambient plus self-temperature rise)
- Solder reflow temperature: J-STD-020D compliant



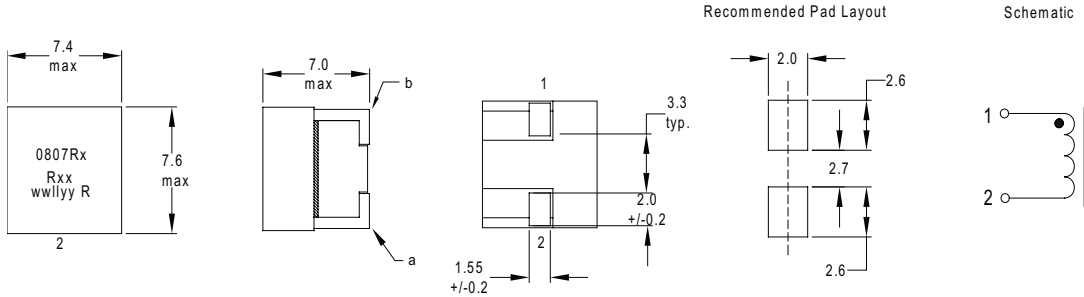
Product Specifications

Part Number ⁷	OCL ¹ (nH) ±10%	FLL ² (nH) min	I _{rms} ³ (amps)	Isat1 ⁴ (amps)	I _{sat2} ⁵ (amps)	DCR (mΩ) ±6% @ 20°C	K-factor ⁶
R1 version							
FP0807R1-R07-R	70	50	45	108	79	0.50	520
FP0807R1-R10-R	100	72	45	77	55	0.50	520
FP0807R1-R12-R	120	86	45	66	48	0.50	520
FP0807R1-R16-R	160	115	45	48	36	0.50	520
FP0807R1-R18-R	180	129	45	42	32	0.50	520
FP0807R1-R20-R	200	144	45	38	28	0.50	520
FP0807R1-R22-R	220	158	45	35	25	0.50	520

1. Open Circuit Inductance (OCL) Test Parameters: 100kHz, 0.10Vrms, 0.0Adc @25°C
2. Full Load Inductance (FLL) Test Parameters: 100kHz, 0.1Vrms, Isat1 @25°C
3. I_{rms}: DC current for an approximate temperature rise of 40°C without core loss. Derating is necessary for AC currents. PCB pad layout, trace thickness and width, air-flow and proximity of other heat generating components will affect the temperature rise. It is recommended the part temperature not exceed 125°C under worst case operating conditions verified in the end application.
4. Isat1: Peak current for approximately 20% rolloff at +25°C.

5. Isat2: Peak current for approximately 20% rolloff at +125°C.
6. K-factor: Used to determine Bp-p for core loss (see graph). $Bp-p = K * L * \Delta I * 10^{-3}$, Bp-p: (Gauss), K: (K-factor from table), L: (inductance in nH), ΔI (peak-to-peak ripple current in amps).
7. Part Number Definition: FP0807Rx-Rxx-R
 - FP0807R = Product code and size
 - x is the version indicator
 - -Rxx= Inductance value in μH, R = decimal point
 - "-R" suffix = RoHS compliant

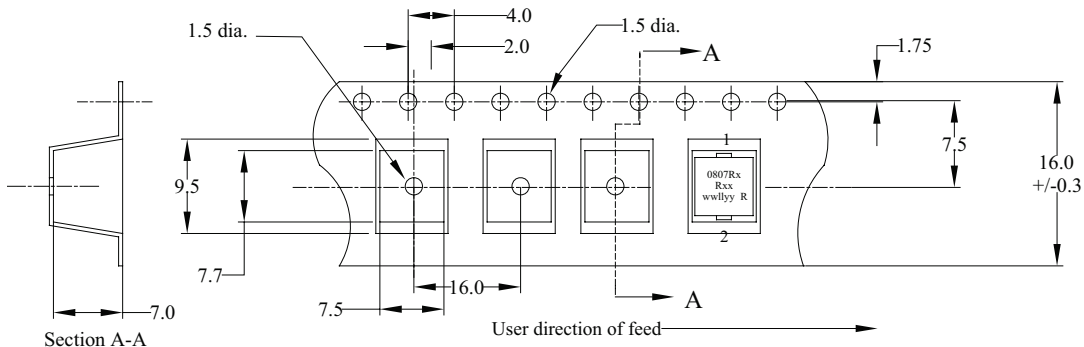
Dimensions (mm)



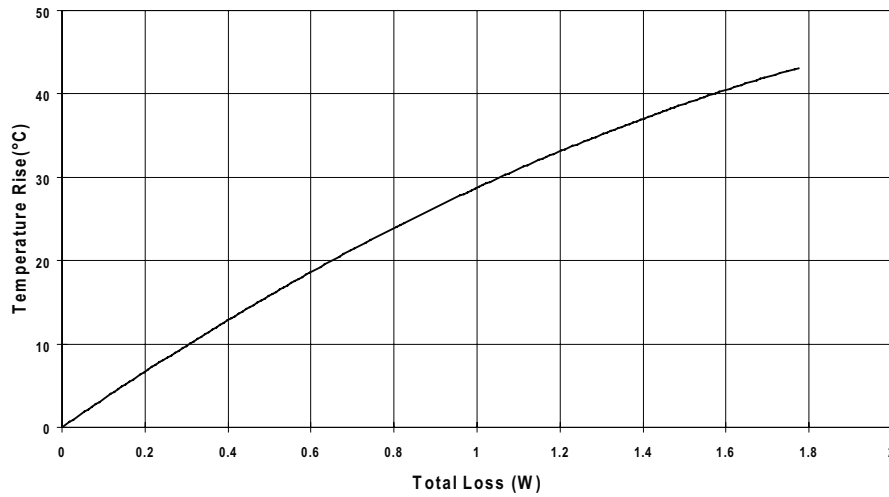
Part marking: 0807Rx (x= version indicator)
 Rxx (xx=inductance value in uH, R= decimal point)
 wwlyyy = date code, R = revision level
 DCR measured from point "a" to point "b"
 Do not route traces or vias underneath the inductor

Packaging information (mm)

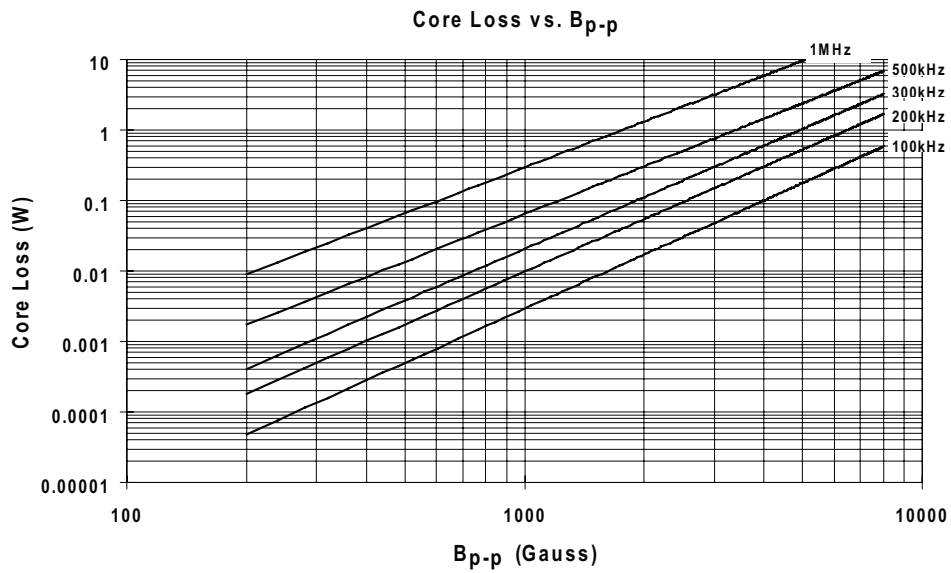
Supplied in tape-and-reel packaging, 600 parts per reel, 13" diameter reel.



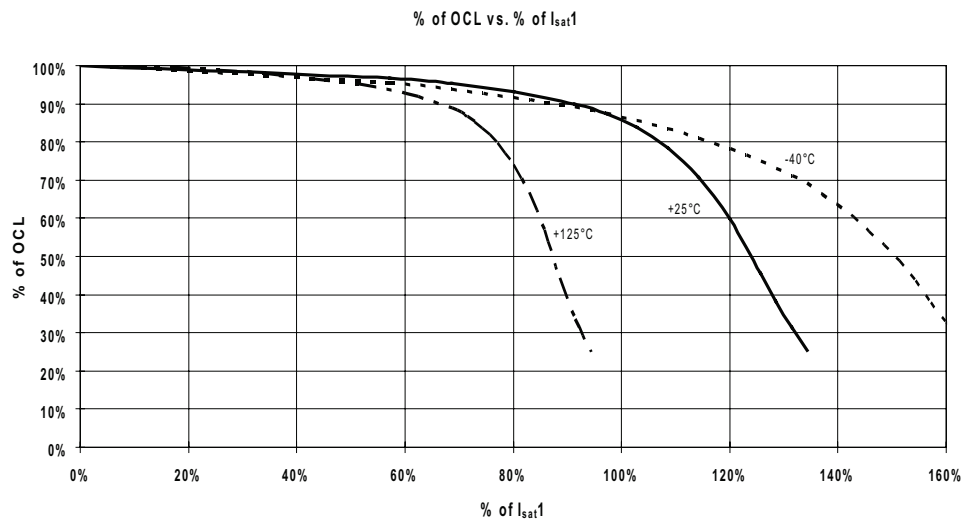
Temperature rise vs. total loss



Core loss



Inductance characteristics



Solder reflow profile

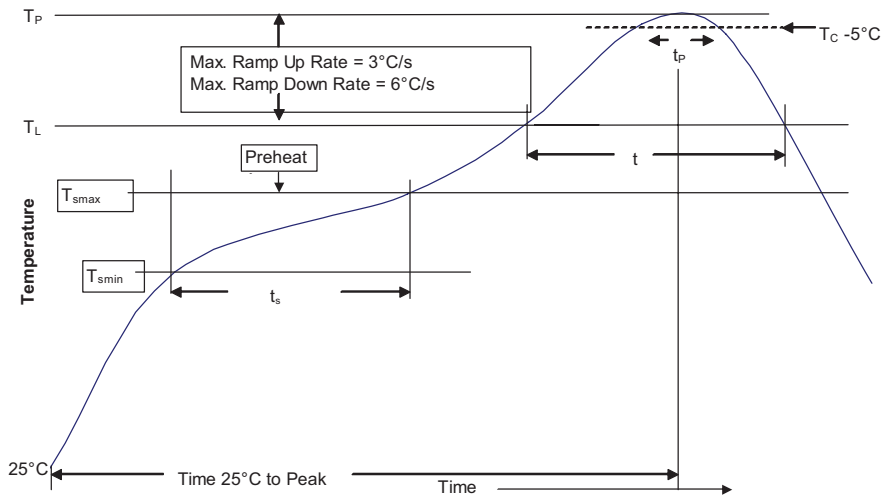


Table 1 - Standard SnPb Solder (T_c)

Package Thickness	Volume mm ³ <350	Volume mm ³ ≥350
<2.5mm)	235°C	220°C
≥2.5mm	220°C	220°C

Table 2 - Lead (Pb) Free Solder (T_c)

Package Thickness	Volume mm ³ <350	Volume mm ³ 350 - 2000	Volume mm ³ >2000
<1.6mm	260°C	260°C	260°C
1.6 - 2.5mm	260°C	250°C	245°C
>2.5mm	250°C	245°C	245°C

Reference JDEC J-STD-020D

Profile Feature	Standard SnPb Solder	Lead (Pb) Free Solder
Preheat and Soak		
• Temperature min. (T_{smin})	100°C	150°C
• Temperature max. (T_{smax})	150°C	200°C
• Time (T_{smin} to T_{smax}) (t_s)	60-120 Seconds	60-120 Seconds
Average ramp up rate T_{smax} to T_p	3°C/ Second Max.	3°C/ Second Max.
Liquidous temperature (T_L)	183°C	217°C
Time at liquidous (t_L)	60-150 Seconds	60-150 Seconds
Peak package body temperature (T_p)*	Table 1	Table 2
Time (t_p)** within 5 °C of the specified classification temperature (T_c)	20 Seconds**	30 Seconds**
Average ramp-down rate (T_p to T_{smax})	6°C/ Second Max.	6°C/ Second Max.
Time 25°C to Peak Temperature	6 Minutes Max.	8 Minutes Max.

* Tolerance for peak profile temperature (T_p) is defined as a supplier minimum and a user maximum.

** Tolerance for time at peak profile temperature (t_p) is defined as a supplier minimum and a user maximum.

Life Support Policy: Eaton does not authorize the use of any of its products for use in life support devices or systems without the express written approval of an officer of the Company. Life support systems are devices which support or sustain life, and whose failure to perform, when properly used in accordance with instructions for use provided in the labeling, can be reasonably expected to result in significant injury to the user.

Eaton reserves the right, without notice, to change design or construction of any products and to discontinue or limit distribution of any products. Eaton also reserves the right to change or update, without notice, any technical information contained in this bulletin.

Eaton
Electronics Division
1000 Eaton Boulevard
Cleveland, OH 44122
United States
www.eaton.com/elx

© 2015 Eaton
All Rights Reserved
Printed in USA
Publication No. 4343 BU-SB08620
December 2015

Eaton is a registered trademark.

All other trademarks are property of their respective owners.