



Chipsmall Limited consists of a professional team with an average of over 10 year of expertise in the distribution of electronic components. Based in Hongkong, we have already established firm and mutual-benefit business relationships with customers from,Europe,America and south Asia,supplying obsolete and hard-to-find components to meet their specific needs.

With the principle of “Quality Parts,Customers Priority,Honest Operation,and Considerate Service”,our business mainly focus on the distribution of electronic components. Line cards we deal with include Microchip,ALPS,ROHM,Xilinx,Pulse,ON,Everlight and Freescale. Main products comprise IC,Modules,Potentiometer,IC Socket,Relay,Connector.Our parts cover such applications as commercial,industrial, and automotives areas.

We are looking forward to setting up business relationship with you and hope to provide you with the best service and solution. Let us make a better world for our industry!



Contact us

Tel: +86-755-8981 8866 Fax: +86-755-8427 6832

Email & Skype: info@chipsmall.com Web: www.chipsmall.com

Address: A1208, Overseas Decoration Building, #122 Zhenhua RD., Futian, Shenzhen, China



PROPRIETARY AND CONFIDENTIAL
 THE INFORMATION CONTAINED IN THIS DRAWING IS THE SOLE PROPERTY OF VECTOR
 ELECTRONICS & TECH., INC. ANY REPRODUCTION IN PART OR AS A WHOLE WITHOUT
 THE WRITTEN PERMISSION OF VECTOR ELECTRONICS & TECH., INC. IS PROHIBITED.

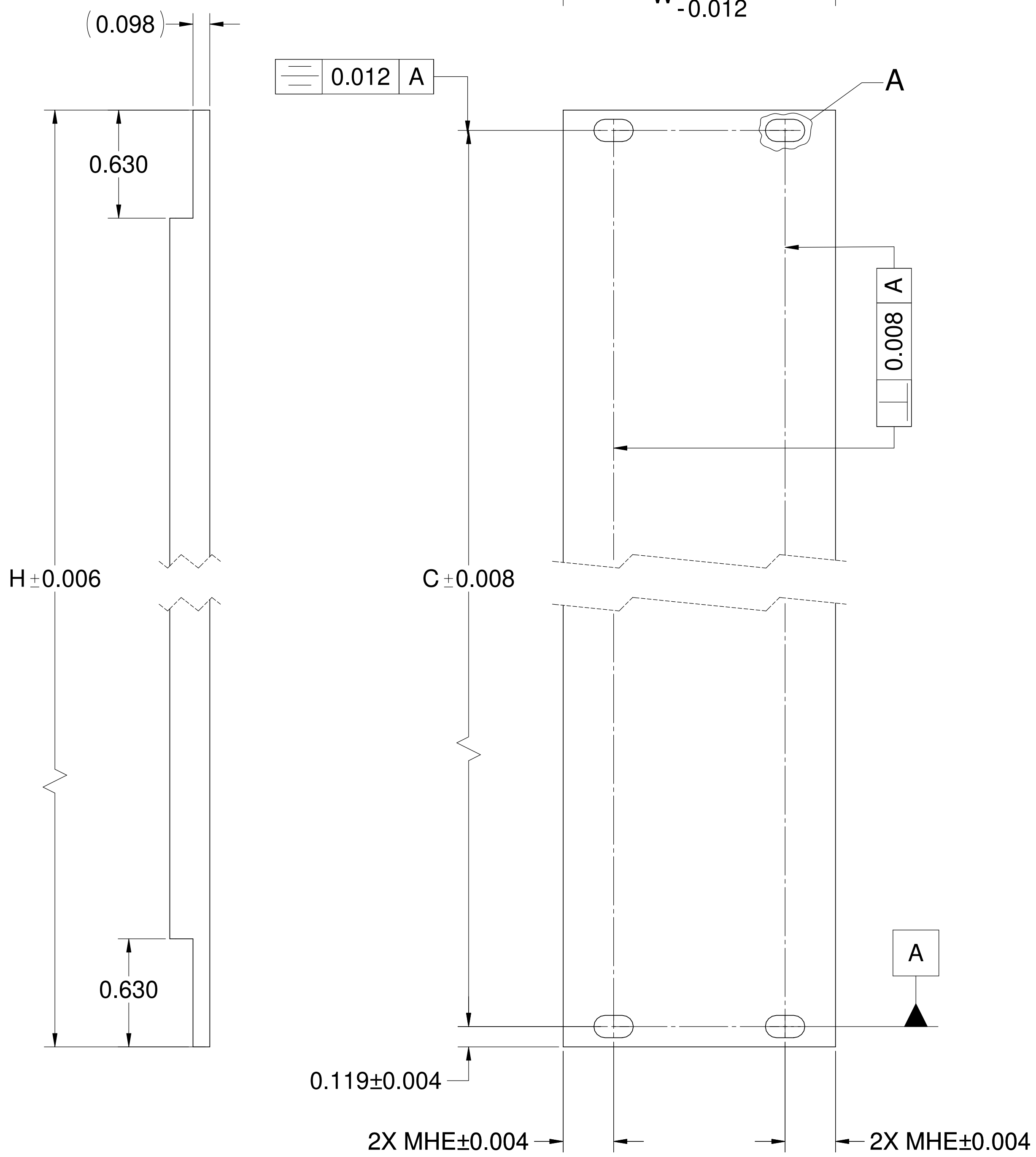
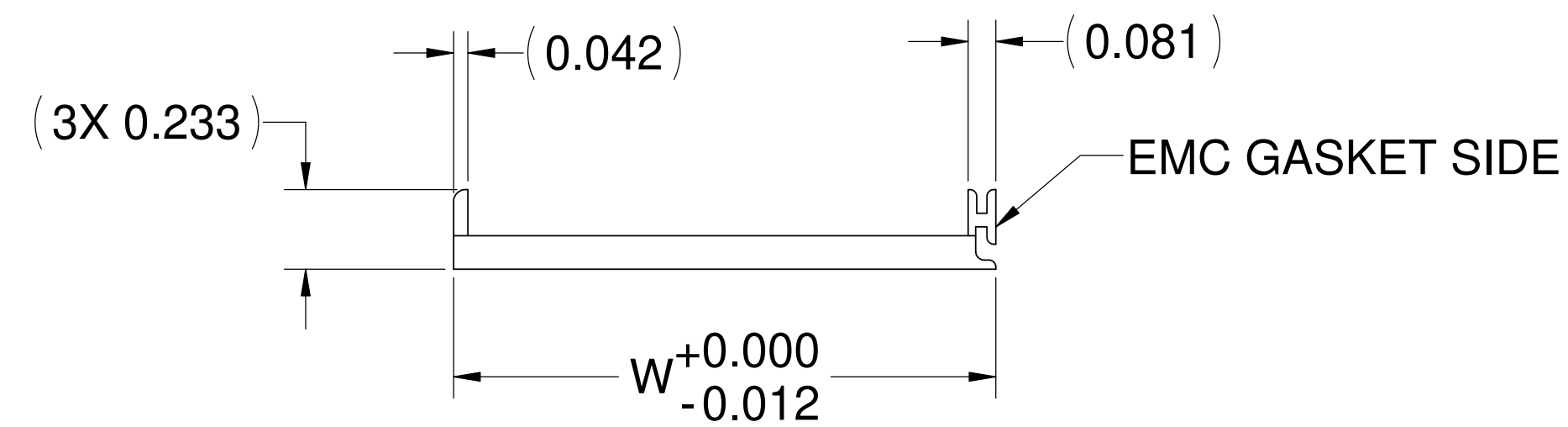
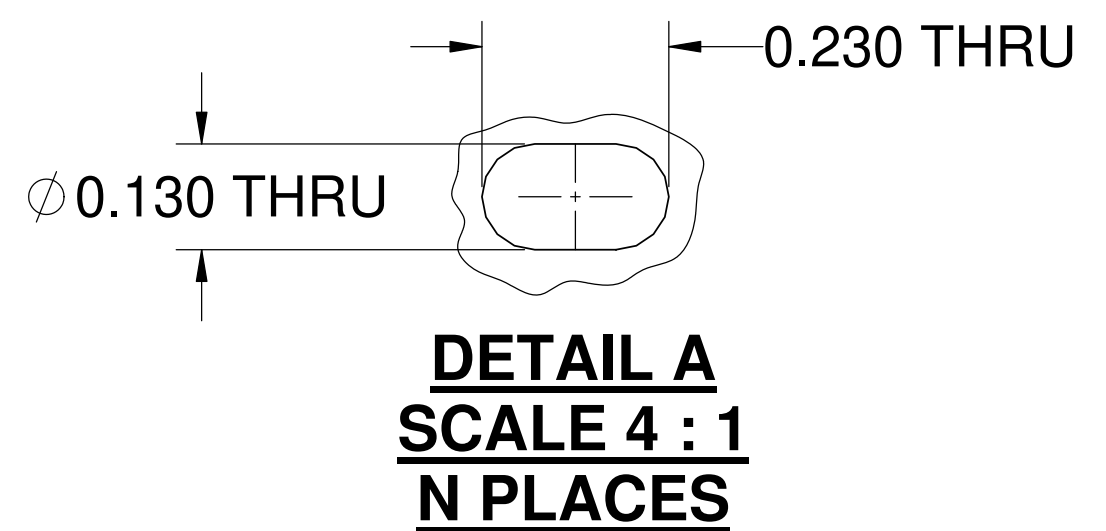
REVISIONS				
ZONE	REV	DESCRIPTION	DATE	APPROVED
ALL	A	REDRAWN	05/04/12	
	B	ADDED FP52A5HP, FP10A5HP, AND FP15A5HP	02/23/15	

D

C

B

A



FILLER PANEL DETAIL

RETAINER SLEEVE, POLYMAIDE, BLACK, P/N 94300008
 M2.5 X 0.45 X 11mm CAPTIVE SCREW, STEEL, P/N 95000002B
 (N PLACES)

EMC GASKET, BeCu WITH BRIGHT NICKEL, P/N 93400015B

FILLER PANEL

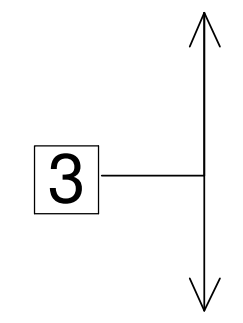
PART NO	DESCRIPTION	HEIGHT "H"	WIDTH "W"	CENTER "C"	MOUNTING HOLE "MHE"	PLACES "N"
FP52A4HP	3U X 4HP	5.060	0.788	4.823	0.294	2
FP52A5HP	3U X 5HP	5.060	0.988	4.823	0.445	2
FP52A8HP	3U X 8HP	5.060	1.588	4.823	0.294	4
FP52A12HP	3U X 12HP	5.060	2.388	4.823	0.294	4
FP10A4HP	6U X 4HP	10.310	0.788	10.073	0.294	2
FP10A5HP	6U X 5HP	10.310	0.988	10.073	0.445	2
FP10A8HP	6U X 8HP	10.310	1.588	10.073	0.294	4
FP10A12HP	6U X 12HP	10.310	2.388	10.073	0.294	4
FP15A4HP	9U X 4HP	15.560	0.788	15.323	0.294	2
FP15A5HP	9U X 5HP	15.560	0.988	15.323	0.445	2
FP15A8HP	9U X 8HP	15.560	1.588	15.323	0.294	4
FP15A12HP	9U X 12HP	15.560	2.388	15.323	0.294	4

SHOWN FILLER PANEL ASSEMBLY

5

- 5. FURNISHED UNASSEMBLED
- 4. FINISH: CLEAR CHEM FILM, IAW MIL-C-5541, CLASS 3
- 3. LIGHT GRAIN FRONT SURFACE IN DIRECTION OF MATERIAL GRAIN (AS SHOWN) USING 180 GRIT
- 2. MATERIAL: ALUMINUM EXTRUSION, 6063-T5 MAKE FROM P/N # M4211-XX
- 1. REMOVE ALL BURRS, SHARP EDGES & SURFACE SCRATCHES

NOTES : UNLESS OTHERWISE SPECIFIED



UNLESS OTHERWISE SPECIFIED DIMENSIONS ARE IN INCHES TOLERANCES: DEC X.X ±0.1 DEC X.XX ±0.03 DEC X.XXX ±0.010 FRACTIONS ±0.050 ANGLES ±1° GD & T : ASME Y14.5-2009		APPROVALS	NAME	DATE
MATERIAL	2	DRAWN	TRUSHAR	05/04/12
FINISH	4	CHECKED		
		ENGINEER		
		QA		

THIRD ANGLE PROJECTION		

VECTOR ELECTRONICS & TECHNOLOGY, INC. 11115 VANOWEN ST., NORTH HOLLYWOOD, CA 91605 www.vectorselect.com

3U, 6U, 9U EMC FILLER PANEL

SIZE	DWG. NO.	REV
D	FPXXA XHP	B
SCALE: 2:1	CAGE CODE: 82893	SHEET 1 OF 1

D

C

B

A

8

7

6

5

4

3

2

1