



Chipsmall Limited consists of a professional team with an average of over 10 year of expertise in the distribution of electronic components. Based in Hongkong, we have already established firm and mutual-benefit business relationships with customers from,Europe,America and south Asia,supplying obsolete and hard-to-find components to meet their specific needs.

With the principle of "Quality Parts,Customers Priority,Honest Operation,and Considerate Service",our business mainly focus on the distribution of electronic components. Line cards we deal with include Microchip,ALPS,ROHM,Xilinx,Pulse,ON,Everlight and Freescale. Main products comprise IC,Modules,Potentiometer,IC Socket,Relay,Connector.Our parts cover such applications as commercial,industrial, and automotives areas.

We are looking forward to setting up business relationship with you and hope to provide you with the best service and solution. Let us make a better world for our industry!



Contact us

Tel: +86-755-8981 8866 Fax: +86-755-8427 6832

Email & Skype: info@chipsmall.com Web: www.chipsmall.com

Address: A1208, Overseas Decoration Building, #122 Zhenhua RD., Futian, Shenzhen, China



DETAILS

Product Number	FP15072_ZORYA-SC-HEKLA
Family	Zorya
Type	Assembly
Color	white
Diameter	55 mm
Height	35 mm
Style	round
Optic Material	Silicone
Holder Material	
Fastening	socket
Status	production ready
ROHS Compliant	Yes
Date Updated	21/04/2017

OPTICAL PROPERTIES

LED	Viewing Angle	Light Beam	Efficiency	cd/lm	Connector
CLL02x/CLU02x (LES10)	sim: 262	Decorative...	sim: 97 %	sim: 0.125	LEDiL: F15255_HEKLA-SOCKET-C
CLU700/701	sim: 265	Decorative...	sim: 97 %	sim: 0.116	LEDiL: F15255_HEKLA-SOCKET-C
CXA/B 15xx	sim: 263	Decorative...	sim: 95 %	sim: 0.113	LEDiL: F15256_HEKLA-SOCKET-D



H G F E D C B A

4

3

2

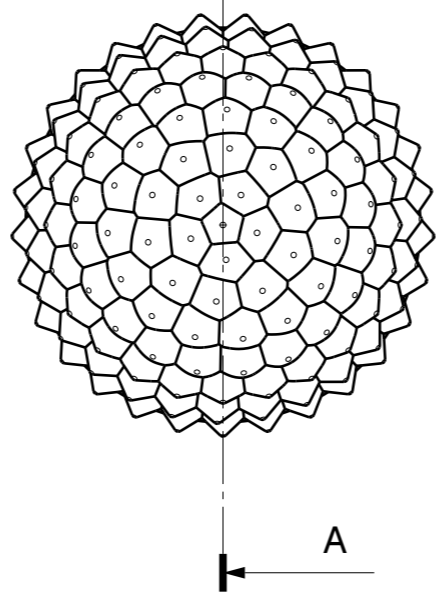
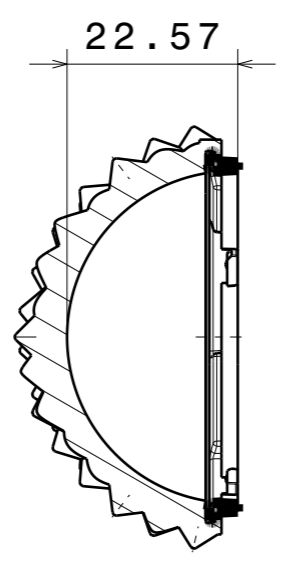
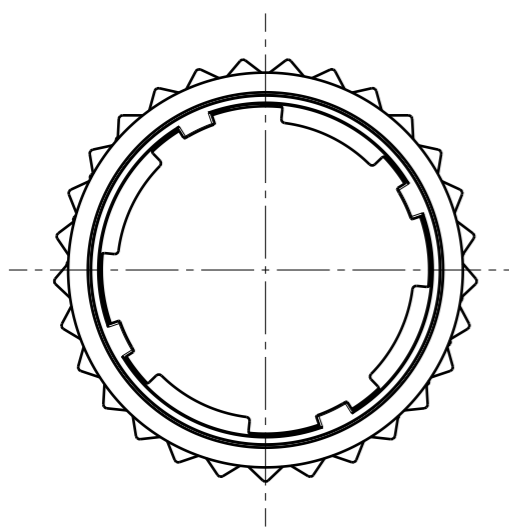
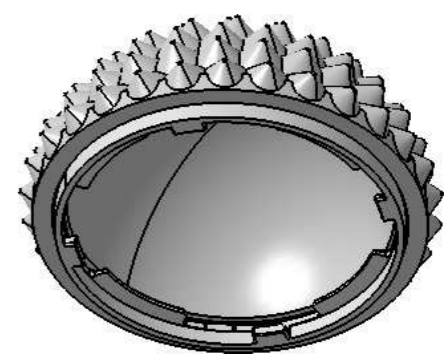
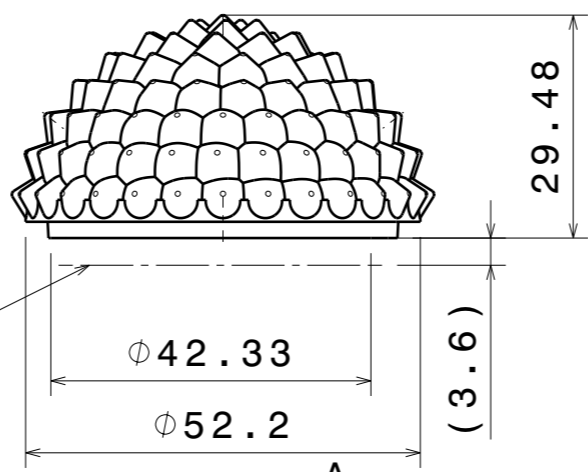
1

4

3

2

1



INDEX	PART NO	DESCRIPTION	MATERIAL	COLOUR
1	F15526	ZORYA-SC-ADAPTER-HEKLA	PC	Clear
2	ZORYA-SC-50		Silicon	Clear

Tolerances if not otherwise shown According to DIN ISO 2768-1 Linear measures: Up to 30mm class M, otherwise class C. According to DIN ISO 2768-2 Form and position: class L		Ledil Oy Salorankatu 10 FIN 24240 SALO Finland
THIRD ANGLE PROJECTION:		
This drawing is the property of LEDiL Oy. It may not be reproduced, copied or communicated without a written agreement with LEDiL Oy.		DRAWING TITLE FP15072_ZORYA-SC-40
SIZE A3	PART NUMBER FP15072	
SCALE 1:1	WEIGHT 26,5 g	SHEET 1/1

H G B A

NOTE: The typical divergence will be changed by different color, chip size and chip position tolerance. The typical total divergence is the full angle measured where the luminous intensity is half of the peak value.

GENERAL INFORMATION

- Product series especially designed & optimized for series of LEDs.
- Special care taken to make light distribution as uniform as possible.

Note! Due to use of high power COB's with this product, special attention to proper thermal design is highly recommended. LEDiL has no liability for direct, indirect or consecutive damages arising from the LEDiL products being used outside of the recommended temperature range.