



Chipsmall Limited consists of a professional team with an average of over 10 year of expertise in the distribution of electronic components. Based in Hongkong, we have already established firm and mutual-benefit business relationships with customers from,Europe,America and south Asia,supplying obsolete and hard-to-find components to meet their specific needs.

With the principle of “Quality Parts,Customers Priority,Honest Operation,and Considerate Service”,our business mainly focus on the distribution of electronic components. Line cards we deal with include Microchip,ALPS,ROHM,Xilinx,Pulse,ON,Everlight and Freescale. Main products comprise IC,Modules,Potentiometer,IC Socket,Relay,Connector.Our parts cover such applications as commercial,industrial, and automotives areas.

We are looking forward to setting up business relationship with you and hope to provide you with the best service and solution. Let us make a better world for our industry!



Contact us

Tel: +86-755-8981 8866 Fax: +86-755-8427 6832

Email & Skype: info@chipsmall.com Web: www.chipsmall.com

Address: A1208, Overseas Decoration Building, #122 Zhenhua RD., Futian, Shenzhen, China



H

G

F

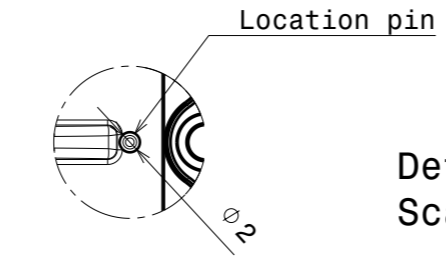
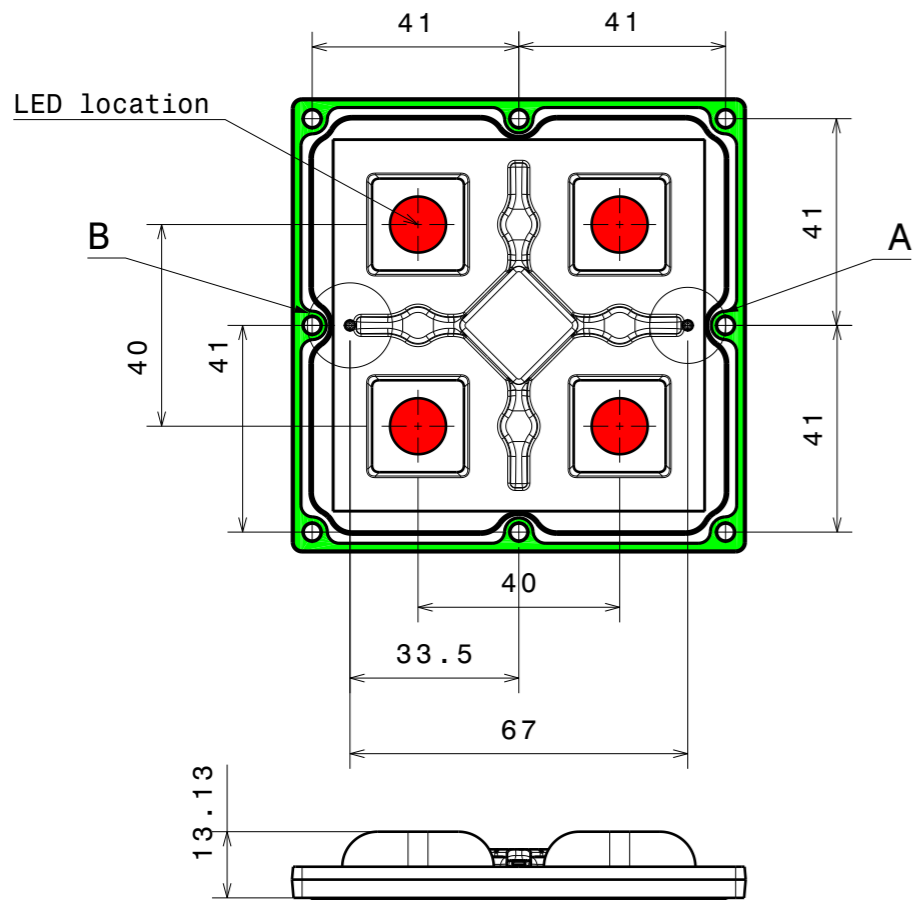
E

D

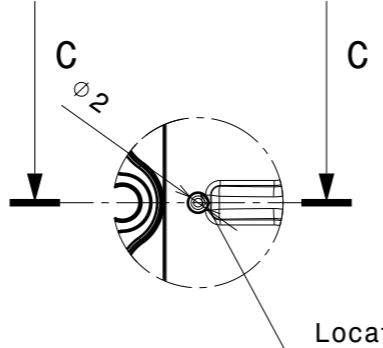
C

B

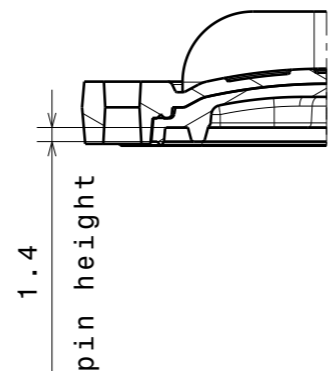
A



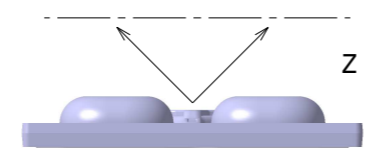
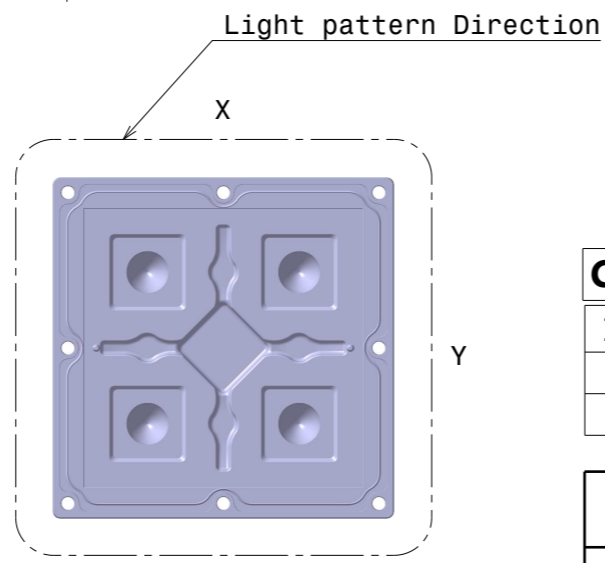
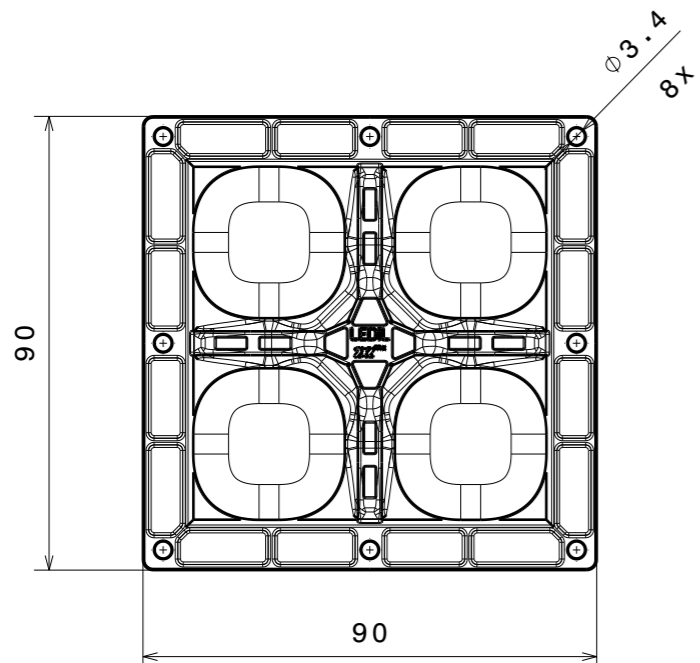
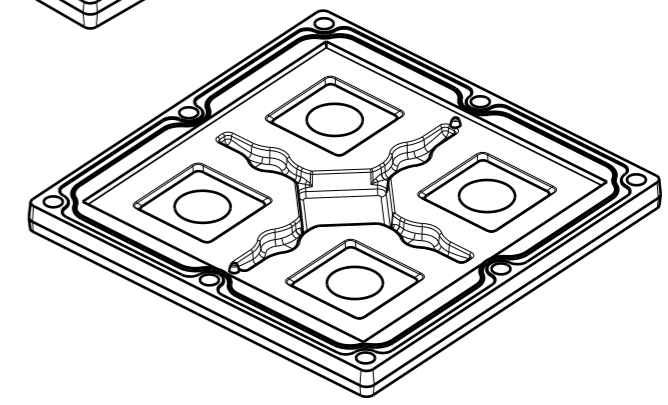
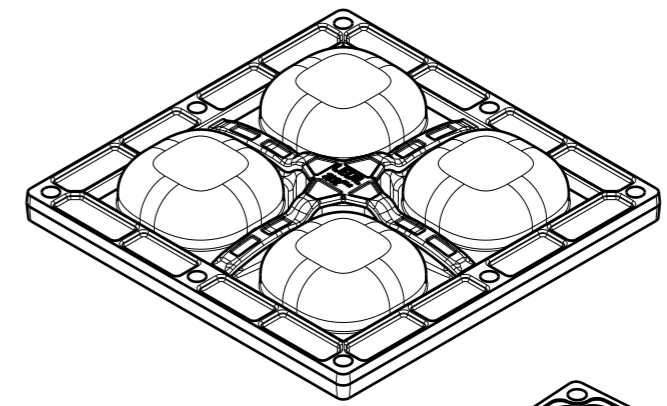
Detail A
Scale: 4:3



Detail B
Scale: 4:3



Section view C-C
Scale: 4:3



Notes

- PCB or heat sink level
 - Led location
- Ensure LED fitting from a product specific 3D model available from www.ledil.com
- See installation details page 2.

COMPONENTS

INDEX	PRODUCT	TYPE	MATERIAL	COLOUR/COATING
1	F15811_STRADA-2X2MXS-VSM	LENS	Silicone	CLEAR
2	F14813_STRADA-2X2MXS-FRAME	Frame	PA66GF30	Black

MECHANICAL DRAWING

PRODUCT
FP15812_STRADA-2X2MXS-VSM



Tolerances if not otherwise shown
According to DIN ISO 2768-1
Linear measures:
Up to 30mm class M, otherwise class C.
According to DIN ISO 2768-2
Form and position: class L

FIRST ANGLE PROJECTION:

This drawing is the property of LEDiL Oy. It may not be reproduced, copied or communicated without a written agreement with LEDiL Oy.

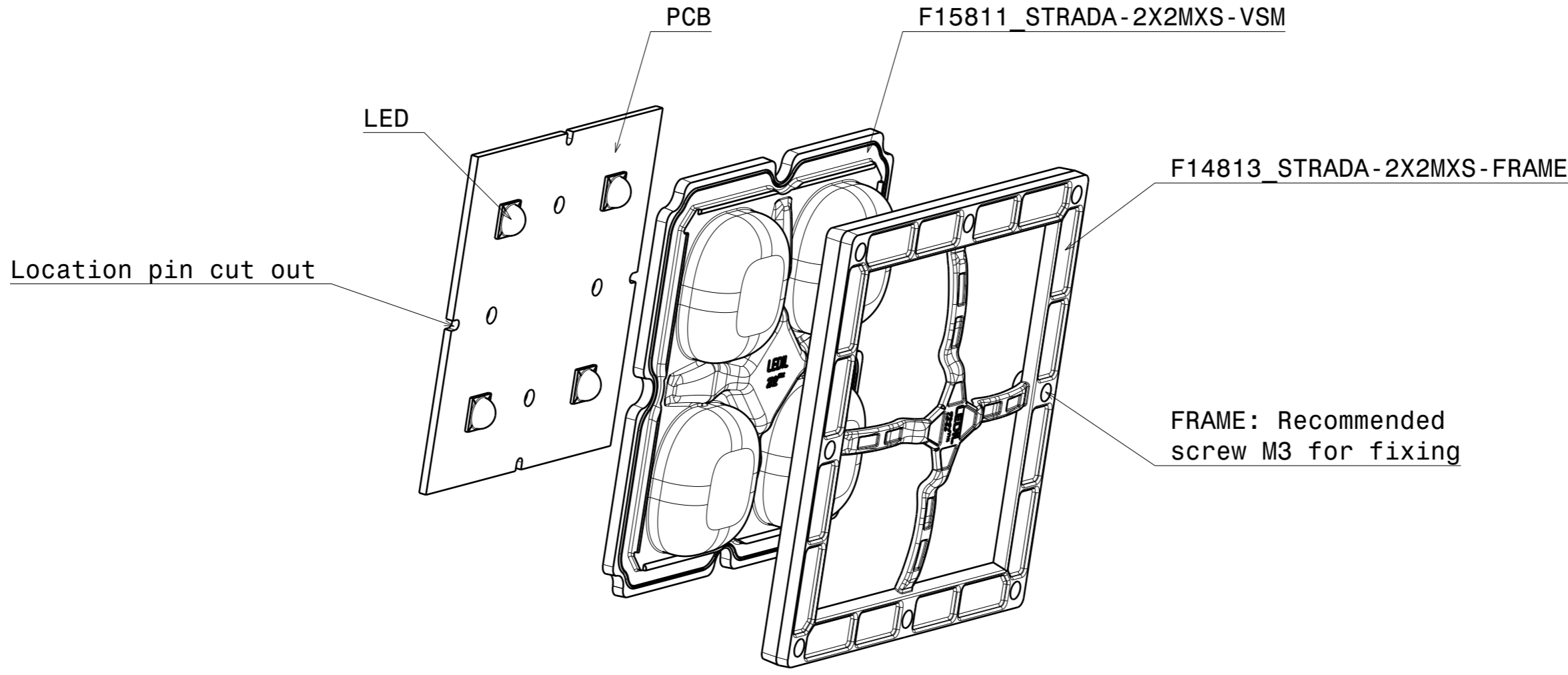
SCALE	2:3	SIZE	A3	SHEET	1/2
-------	-----	------	----	-------	-----

H

G

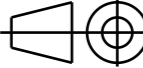
B

A



Notes

For more details about installation please see LEDiL Installation Guide on www.ledil.com

MECHANICAL DRAWING		LEDiL[®]
PRODUCT FP15812_STRADA-2X2MXS-VSM		
Tolerances if not otherwise shown According to DIN ISO 2768-1 Linear measures: Up to 30mm class M, otherwise class C. According to DIN ISO 2768-2 Form and position: class L	FIRST ANGLE PROJECTION: 	This drawing is the property of LEDiL Oy. It may not be reproduced, copied or communicated without a written agreement with LEDiL Oy.
SCALE 2:1	SIZE A3	
SHEET 2/2		